

Chamfre®



SAND BLAST CABINET

Model No: SB30

Part No: 7640115

USER INSTRUCTIONS

GC05/13

INTRODUCTION

Thank you for purchasing this CLARKE Sand Blast Cabinet which is designed for professional workshop use.

Please read and follow the instructions carefully. In doing so you will ensure the safety of yourself and others around you, and you can look forward to the product giving you long & satisfactory service.

Please keep these instructions in a safe place for future reference

GUARANTEE

This product is guaranteed against faulty manufacture for a period of 12 months from the date of purchase. Please keep your receipt which will be required as proof of purchase.

This guarantee is invalid if the product is found to have been abused or tampered with in any way, or not used for its intended purpose. Faulty goods should be returned to their place of purchase. No product can be returned to us without prior permission.

This guarantee does not effect your statutory rights.

ENVIRONMENTAL PROTECTION



Do not dispose of scrap metal with general household waste. All old tools, accessories and packaging should be sorted, taken to a recycling centre and disposed of appropriately.

SAFETY PRECAUTIONS.

Ensure you comply with all precautions regarding the use of air compressors and compressed air.

- Ensure all air connections are secure.
- Do Not use the machine if the integral gloves are ripped or unserviceable.
- Keep the jet well away from the air hose, gloves, florescent tube & window.
- ALWAYS wear safety glasses. (Normal eye glasses are NOT safety glasses).
- Do not use any silica based abrasives with this tool. Silica based abrasives have been linked to severe respiratory disease. Always use recommended abrasives. Abrasives used in this unit may be covered by COSHH Regulations.

DESCRIPTION

The cabinet is lit by a low voltage (12 volt) fluorescent tube, fed from a plug-in type transformer. The switchbox is mounted on the left side of the cabinet. The transformer should be plugged directly into the mains supply and connected to the switchbox which contains the ON/OFF rocker switch.

A vacuum extraction device must be used, connected to the port in the left side of the cabinet.

At the rear of the cabinet is a breather, which must be clear at all times.

The cabinet is provided with a window, the inside of which is protected by a clear plastic membrane. The protective membrane may be renewed quickly and easily should it become damaged by the sand blast action.

A variety of abrasive nozzles is supplied with the unit to produce a useful range of power and grit densities to satisfy all requirements. The cabinet is designed for use with dry abrasives ONLY. We recommend Aluminium Oxide (for cleaning steel) and Glass Beads (for cleaning aluminium).

It is necessary to provide a clean, dry air supply, capable of delivering a minimum of 10 cuft/min at a maximum 100psi. Please consult your air compressor manual, ensuring you comply with all safety precautions regarding the use of air compressors, and observe all necessary precautions when using compressed air.

If an air compressor is used, ensure it is located well away from the cabinet.

SPECIFICATIONS

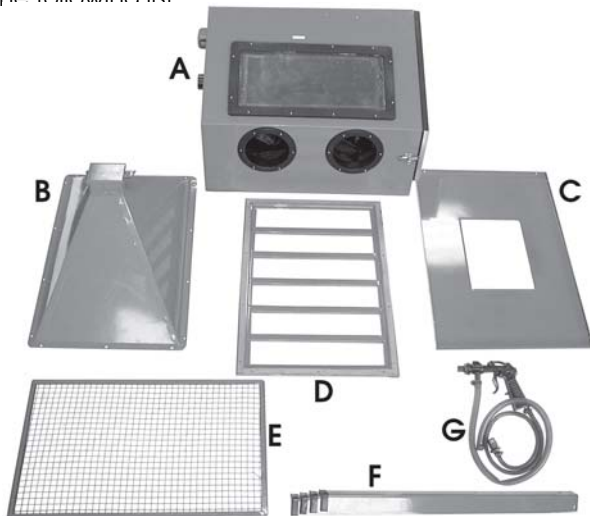
Max. Air Supply 100psi (7bar)

Min. Air Delivery 10 CFM

Electrical Supply 230V 50Hz 1ph

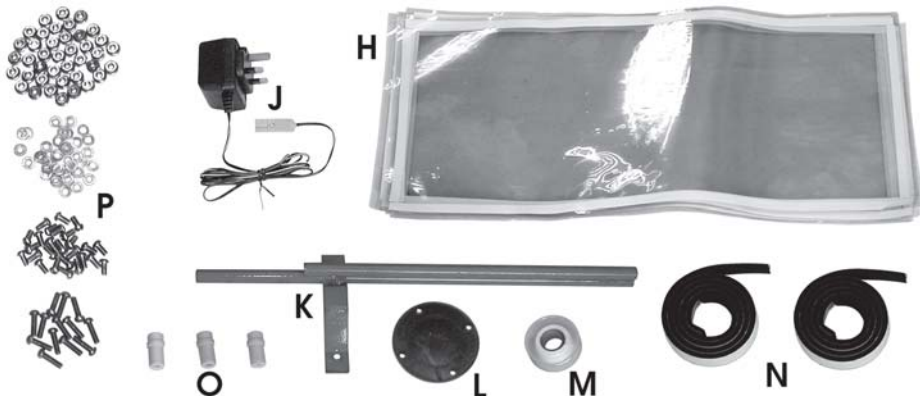
INVENTORY

Carefully unpack the unit, and check to ensure that no damage was caused in transit. Should any damage be apparent, please contact your Clarke dealer immediately. Remove all components from the carton and check them against the following list



- A - Cabinet
- B - Cabinet Funnel
- C - Shelf
- D - Grid Support
- E - Grid
- F - Legs
- G - Gun Complete

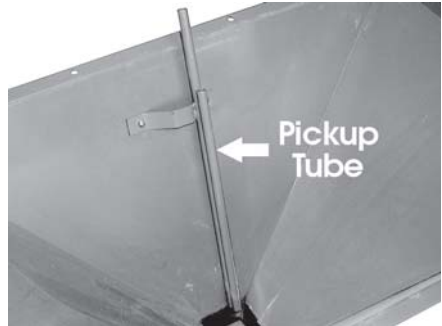
LOOSE PARTS



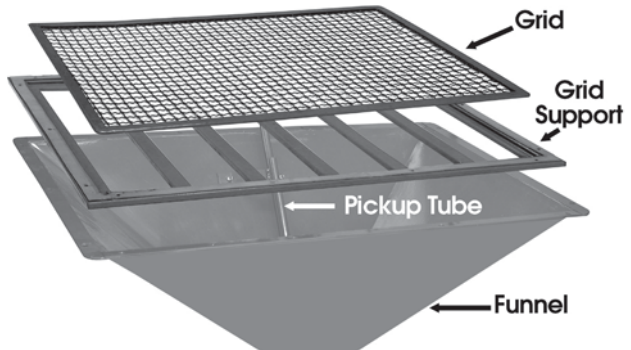
- H - Protection Film - Foam Strip (may be fitted)
- J - Transformer
- K - Pick-up Tube
- M - PTFE Tape
- N - Foam Strip (may be fitted)
- O - Ceramic Nozzles (1 nozzle fitted)
- P - Nuts, screws & washers

ASSEMBLY

1. Lay the cabinet on its back and attach the four legs using the M6x12mm screws, flat washers and nuts provided, ensuring the flat washers are against the screw heads.
2. Attach the pick-up tube to the funnel as shown, using the M6x12mm screws provided.
3. If not already fitted, peel the backing paper from the foam strip and apply the strip to the edge of the grid support. Trim the strip accordingly.
4. Use a punch (or similar) to make holes in the foam strip, at the bolt holes.



5. Place the grid support on the funnel flange and the grid into the recess in the grid support, so that the pick-up tube protrudes through the grid neatly. Do not use undue force.
6. Turn the cabinet on to its legs then and with assistance, raise the funnel to meet the underside of the cabinet, ensuring the pickup tube is at the front of the cabinet. Bolt the funnel assembly to the cabinet using the M6x20mm screws with the nuts and flat washers provided, ensuring the flat washers are against the screw heads.
7. Open the cabinet door and attach the air hose from the gun to the inlet port on the front of the cabinet, then connect the pick-up hose from the gun to the pick-up tube attached to the funnel, securing with the worm drive clip provided.



8. Attach the shelf to the legs using the screws and nuts provided.

NOTE: PTFE tape is provided for use to ensure an airtight fit.

OPERATION

Plug the power cable connector into the switch box, then plug the transformer into a standard 230V power supply. Switch the lamp ON by pushing the rocker switch, on the switch box, 'I'. Switch OFF by pushing 'O'.

Ensure all air connections are secure, and the pick up is correctly connected, before filling the cabinet with abrasive media. Do not fill higher than the level of the grid.

Select the ceramic abrasive nozzle to produce the jet required for the abrasive media being used, and assemble according to the instructions given below.

Place the object to be cleaned in the cabinet, and secure the side door.

Turn on the extraction device which must be attached to the port on the left side of the cabinet, before turning on the air supply.

Set the air pressure to the required value, but not higher than 100psi, and check to ensure there are no air leaks. Should there be any, turn off the air supply and repair where necessary, before turning the supply back on. Pull the trigger on the gun and proceed to blast the object to be cleaned.

Keep the jet facing the object and away from the clear plastic lid. Do not allow the jet to train on the rubber gloves, the air hose within the cabinet or the fluorescent lamp.

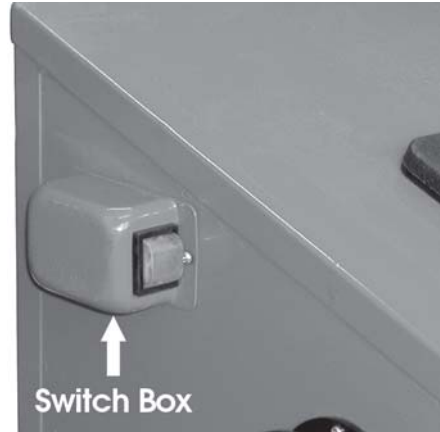
When completed, release the trigger then turn off the air supply. As a precautionary measure, ALWAYS pull the trigger before opening the door.

NOTES:

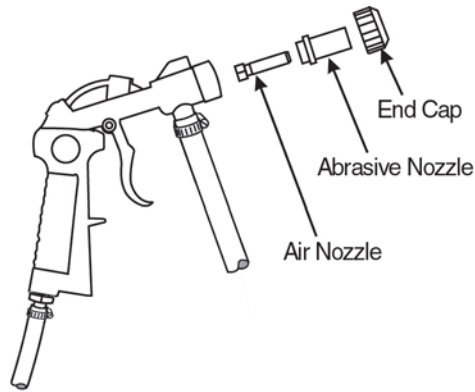
There are no hard or fast rules governing nozzle sizes and air pressures used with different abrasives. With experience and experimentation you will quickly learn the best combinations for the required result.

On more delicate parts, start with minimal air pressure to avoid unnecessary peening or excessive abrasion, and work up to a setting to produce the desired finish.

Should any abrasive be spilled, ensure it is cleaned up immediately, as its slippery properties can be extremely hazardous.



REPLACING THE ABRASIVE NOZZLE



Ensure the air supply is disconnected before performing this operation.

1. Pull the trigger of the gun as a precautionary measure.
2. Unscrew the end cap and withdraw the ceramic nozzle.
3. Replace with the nozzle of your choice and carefully thread the end cap back on to the gun, taking great care NOT to cross thread the fine thread

NOTE: *Should it be necessary to change the air nozzle, first remove the abrasive nozzle as described above. A box spanner will be required to unscrew and withdraw the air nozzle.*

MAINTENANCE

Before use, check to ensure that all parts are serviceable, including the air inlet hose, rubber gloves and abrasive pick-up.

The door securing clamp must be perfectly serviceable so as not to allow the door to open during operation. The build up of air pressure within the cabinet could force the door open, allowing abrasive to escape. This is not only wasteful, but could be a health hazard.

Change the window protective film should visibility be impaired. Simply peel off the old film and replace with a new one. Replacement protection film is available from your Clarke dealer.

Ensure you comply with all precautions regarding the use of compressed air, and air compressor operation.

Inspect the abrasive media regularly. If badly contaminated, it should be replaced. A hinged cover is provided at the base of the funnel to allow quick draining of the media.

CHANGING THE FLUORESCENT TUBE

Ensure the transformer is disconnected from the power supply before opening the door and cutting the two ties securing the lamp to its retaining clips.

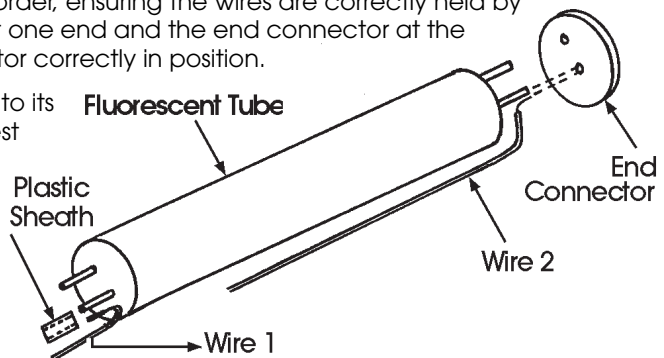
Carefully pull the lamp from its retaining clips then hold the clear plastic protective outer tube firmly and ease off the plastic end cover from the non-wired end. (This may take a little persuasion and perseverance).

Once the end cover has been removed, hold the end cover at the opposite end (the cable input end), and pull off the outer protective clear plastic tube. The fluorescent tube is now fully revealed.

Pull off the end connector, which secures a wire to one of the pins, taking care not to distort the aluminium reflector. Then pull off the wire secured by a plastic sheath to one of the pins at the cable input end.

Assemble in reverse order, ensuring the wires are correctly held by the plastic sheath at one end and the end connector at the other, with the reflector correctly in position.

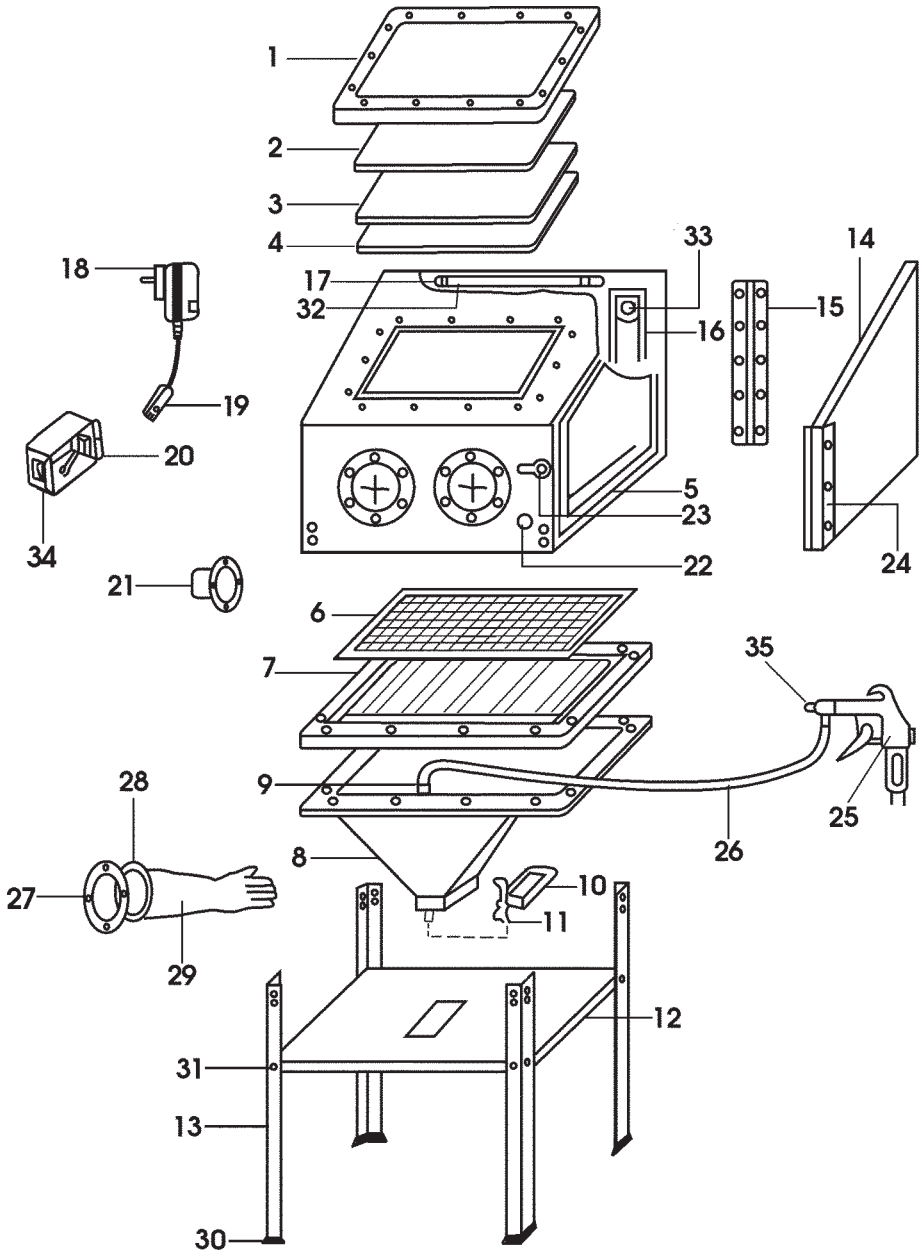
Re-fit the assembly into its retaining clips and test its operation by plugging the transformer into the mains.

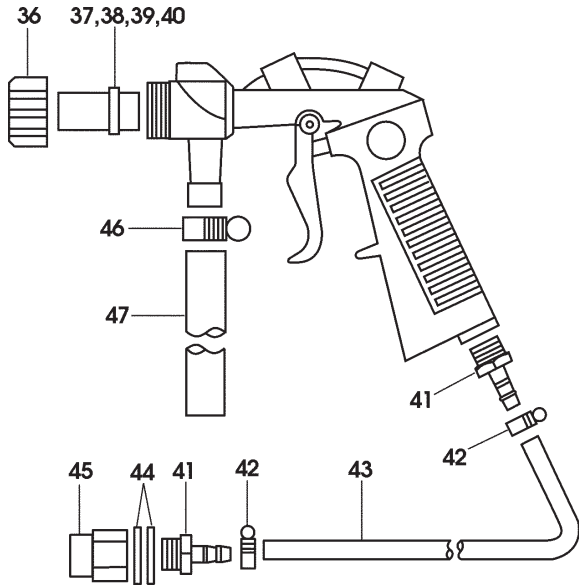


TROUBLESHOOTING

| PROBLEM | CAUSE | SOLUTION |
|---|---|---|
| Excessive dust in cabinet. | No dust extract device used. | Install dust extract device. |
| | Air vent or overflow is blocked. | Clean rear vent and keep vent away from any wall. |
| | Abrasive media worn. | Replace abrasive media. |
| | Too much abrasive media in the cabinet | Remove excessive media. |
| | Loose air line or loose connections. | Tighten fittings and ensure air line is secure. |
| Uneven blasting action. | Too much abrasive media in the cabinet. | Remove excessive media. |
| | Abrasive is damp. | Renew abrasive or dry thoroughly before use. |
| | Moisture present inside cabinet. | Check air line to ensure it is free from moisture. |
| Inadequate speed or inefficient blast. | Abrasive media worn | Replace abrasive media |
| | Pressure too low. | Increase inlet pressure and ensure control valve is fully open. |
| Static electricity present. | Dry weather conditions. | Leave the item to be cleaned on the grid. |
| Grit blown into the surrounding atmosphere. | Door not secure. | Secure the door with the clip provided. |

COMPONENT PARTS





| Item | Description | Part No. | Item | Description | Part No. |
|------|--------------------------|-----------|------|-----------------------|-----------|
| 1 | Frame | SB9007-01 | 25 | Abrasive Gun | SB9007-25 |
| 2 | Glass | SB9007-02 | 26 | Suction Hose | SB9007-26 |
| 3 | Glass Board | SB9007-03 | 27 | Mounting Ring, Glove | SB9007-27 |
| 4 | Protection Film | SB9007-04 | 28 | Clamp | SB9007-28 |
| 5 | Cabinet | SB9007-05 | 29 | Gloves, Pair | SB9007-29 |
| 6 | Steel Screen | SB9007-06 | 30 | Feet | SB9007-30 |
| 7 | Screen Frame | SB9007-07 | 31 | Screws, Nuts, Washers | SB9007-31 |
| 8 | Cabinet Funnel | SB9007-08 | 32 | Light, Low Voltage | SB9007-32 |
| 9 | Abrasive Suction Pipe | SB9007-09 | 33 | Breather Vent | SB9007-33 |
| 10 | Abrasive Removal Cover | SB9007-10 | 34 | Switch, Low Voltage | SB9007-34 |
| 11 | Cover Lock | SB9007-11 | 35 | Ceramic Nozzle | SB9007-35 |
| 12 | Shelf | SB9007-12 | 36 | Nozzle Adapter Nut | SB9007-36 |
| 13 | Legs | SB9007-13 | 37 | Abrasive Nozzle 4mm | SB9007-37 |
| 14 | Plastic Door | SB9007-14 | 38 | Abrasive Nozzle 5mm | SB9007-38 |
| 15 | Hinge | SB9007-15 | 39 | Abrasive Nozzle 6mm | SB9007-39 |
| 16 | Breather Vent Cover | SB9007-16 | 40 | Abrasive Nozzle 7mm | SB9007-40 |
| 17 | Light Clamp | SB9007-17 | 41 | Air Hose Adapter | SB9007-41 |
| 18 | Transformer, Low Voltage | SB9007-18 | 42 | Worm Drive | SB9007-42 |
| 19 | Plug, Low Voltage | SB9007-19 | 43 | Air Hose | SB9007-43 |
| 20 | Switch Box, Low Voltage | SB9007-20 | 44 | Flat Washer | SB9007-44 |
| 21 | Suction Flange, 2½"X2¼" | SB9007-21 | 45 | Air Adapter | SB9007-45 |
| 22 | Hose Inlet Fitting | SB9007-22 | 46 | Clamp | SB9007-46 |
| 23 | Latch | SB9007-23 | 47 | Abrasive Intake Hose | SB9007-47 |
| 24 | Metal Liner | SB9007-24 | | | |

A SELECTION FROM THE VAST RANGE OF

Clarke®

QUALITY PRODUCTS

AIR COMPRESSORS

From DIY to industrial, Plus air tools, spray guns and accessories.

GENERATORS

Prime duty or emergency standby for business, home and leisure.

POWER WASHERS

Hot and cold, electric and engine driven - we have what you need

WELDERS

Mig, Arc, Tig and Spot. From DIY to auto/industrial.

METALWORKING

Drills, grinders and saws for DIY and professional use.

WOODWORKING

Saws, sanders, lathes, mortisers and dust extraction.

HYDRAULICS

Cranes, body repair kits, transmission jacks for all types of workshop use.

WATER PUMPS

Submersible, electric and engine driven for DIY, agriculture and industry.

POWER TOOLS

Angle grinders, cordless drill sets, saws and sanders.

STARTERS/CHARGERS

All sizes for car and commercial use.



PARTS & SERVICE: 020 8988 7400

E-mail: Parts@clarkeinternational.com or Service@clarkeinternational.com

SALES: UK 01992 565333 or Export 00 44 (0)1992 565335

Clarke INTERNATIONAL Hemnall Street, Epping, Essex CM16 4LG
www.clarkeinternational.com