

Chambers®



CAST IRON HAND PUMPS

Model Nos: PP35C and PP75C

Part Nos: 7200720 & 7200700

INSTRUCTIONS

INTRODUCTION

Thank you for purchasing this CLARKE product.

Please read and follow the instructions carefully. In doing so you will ensure the safety of yourself and others around you, and you can look forward to the product giving you long and satisfactory service.

Please keep these instructions in a safe place for future reference

GUARANTEE

This product is guaranteed against faulty manufacture for a period of 12 months from the date of purchase. Please keep your receipt which will be required as proof of purchase.

This guarantee is invalid if the product is found to have been abused or tampered with in any way, or not used for its intended purpose. Faulty goods should be returned to their place of purchase. No product can be returned to us without prior permission.

This guarantee does not effect your statutory rights.

SAFETY WARNINGS

- The pump is not suitable for pumping drinking water.
- Always keep children away from the pump and do not allow them to play with it.
- Given the weight of the pump and stand, ensure the mounting location is suitably firm and rigid.
- Ensure that the mounting/anchoring bolts are secure when installed and capable of withstanding the leverage of the tall pump/stand assembly.
- The pump and stand are heavy. Take care when handling.

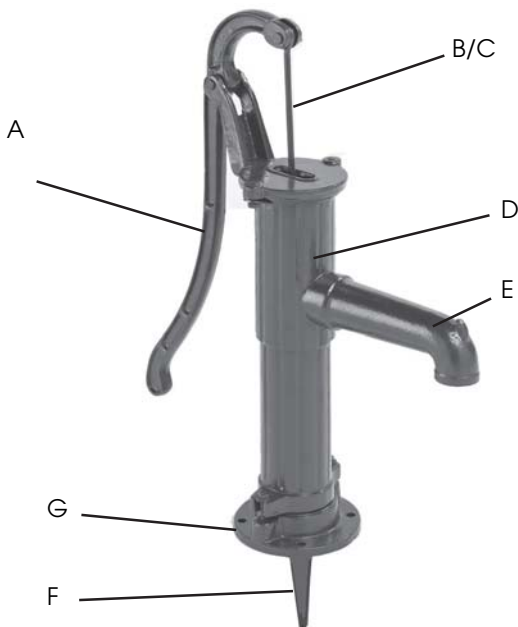
SPECIFICATIONS

Model	PP35C Pump	PP35C Stand	PP75C Pump	PP75C Stand
Max suction height	7.0 m		7.0 m	
Max overall height	640 mm	675 mm	650 mm	675 mm
Lower flange diameter	160 mm	240 mm	160 mm	240 mm
Inlet thread	1 1/4" BSP		1 1/4" BSP	
Weight	17.1 kg	12.8 kg	13.1 kg	12.2 kg

COMPONENTS OF THE PUMP

The PP35C and PP75C hand pumps can both be used as a deep well pump or alternatively as a garden decoration. They can lift water from 7m depth if used with a suitable footvalve and airtight hose and connectors.

- A Operating handle
- B Plunger rod
- C Plunger assembly
- D Pump housing
- E Water outlet
- F Inlet valve
- G Mounting flange



INSTALLATION

The pump will typically be installed in conjunction with the associated cast iron stand as follows:

PP75C Hand Pump: Part No 7200700 used with Stand: Part No 7200710

PP35C Hand Pump: Part No 7200720 used with Stand: Part No 7200730

Both stands have a bottom flange diameter of 240 mm for mounting to a suitably rigid supporting area. If in doubt consult an expert plumber.

THE FOLLOWING EQUIPMENT WILL BE REQUIRED:

Adjustable pipe wrench

4 x 10 mm bolts and nuts (not supplied)

Teflon tape

ASSEMBLING THE SYSTEM

A fixing kit consisting of a foot valve, matched to a suitable hose and a strainer should be obtained to create a fully working installation. The hose will require a 1 ¼" externally threaded end fitting for direct connection to the pump base.

1. Screw the hose inlet connection to the pump base and apply teflon tape to the threaded connection to prevent future leaks. Pass the hose through the stand prior to installing the stand to the supporting floor.
2. Mount the stand in its chosen location and route the hose as required to the water pick-up point.
 - The stand must be anchored securely .
 - Ensure that the length of the hose is sufficient to reach to the water pick-up point.
3. Mount the pump on the stand using 4 x M10 bolts/nuts (not supplied).
4. Ensure that the inlet valve drops to its lower position in the pump body as shown on page 3, and that it moves freely inside the inlet hose.



Holding down bolts required

4. Ensure the pump is upright and bolt in position using holding down bolts (not supplied).
 5. If used as a water feature, ensure the water container is positioned correctly to catch the water flow as it cascades from the pump.
 6. Ensure the pipe connection to the base of the pump is secure and not leaking.
 7. Connect a suitable strainer at the pick-up end of the hose.
 8. Try to prevent debris obstructing the inlet to the pump as this can reduce the flow substantially. If leaves etc are allowed to fall into the water feature this can be a persistent problem. If so, position the pickup pipe on a housebrick or similar, to stop it drawing in any debris sinking to the bottom of the water reservoir.
- A selection of hoses, connectors and other accessories are available from your Clarke dealer.

OPERATION

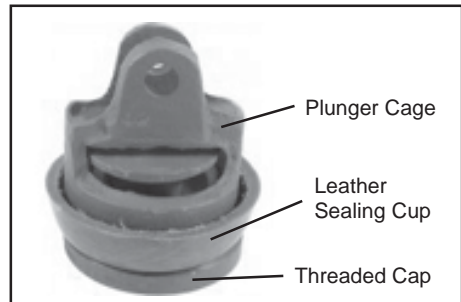
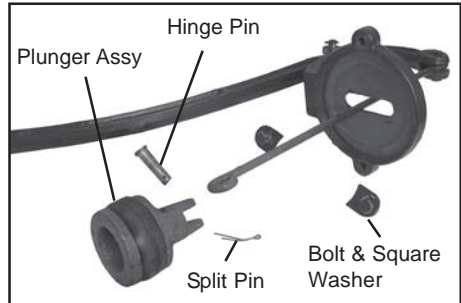
- 1 Prior to the first usage, prime the pump to moisten the cup seal by adding water to the pump head. Pour some water down the hole in the top of the pump through which the plunger rod passes. This will wet the cup seal and assist its function.



- The pump requires approximately one stroke per foot (30 cm) of water depth in any 1 ¼" dia inlet pipe, to draw the water to the pump head. Likewise, a depth of 1 m requires about 3-4 strokes.
- Whenever the pump has been unused for a period of time, further strokes are required to re-fill the pump with water. More strokes may be required after extended lack of use.
- If using the pump extensively, splashing can cause slow but progressive water loss from the water feature, making topping up necessary.

CARE AND MAINTENANCE

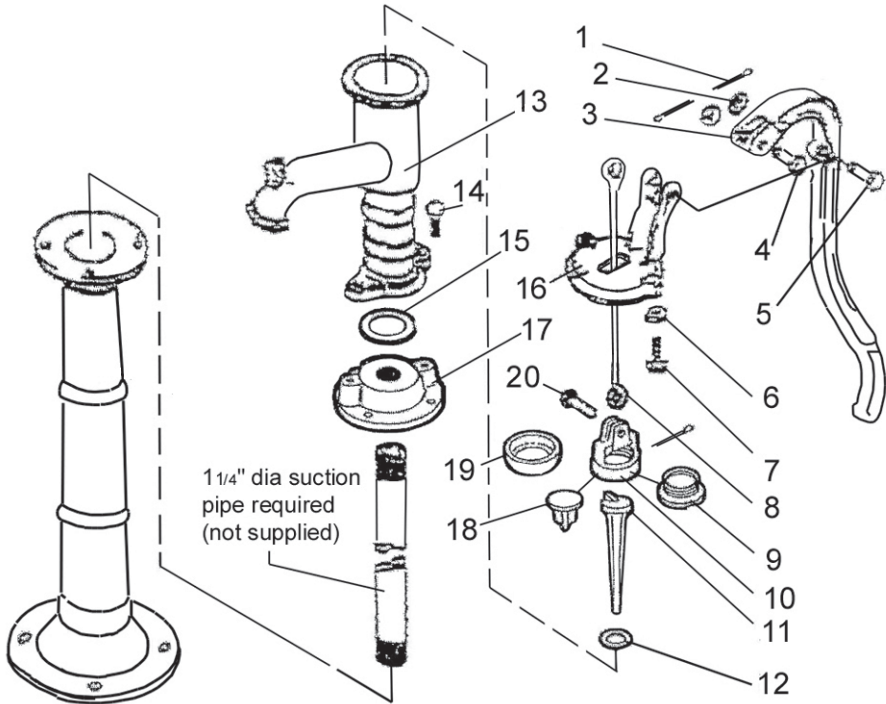
- If the pump is used in a cold environment, take care to protect the pumping system from frost.
 - Pumps of this type sometimes fail to draw water following lack of use because the leather sealing cup only works efficiently when it is moist. In these circumstances it is necessary to prime the pump as shown on page 5. This will wet the cup seal and restore function.
1. If the water output is too low, the leather cup seal in the piston may need replacing. Likewise, if the stroke of the piston becomes short and great effort is required to move it, the pinched/damaged leather cup seal should be removed & replaced if damaged.
 2. To do this, unbolt the pump housing from the pump top to expose the plunger assembly. Remove the split pin and hinge pin to remove the plunger. Hold the plunger in a vice and unscrew the threaded cap. The leather cup seal can now be removed.



When requesting spare parts, please refer to the parts list opposite and quote HEBP35C01-20 or HEBP75C01-20 as applicable.

A seal kit is available comprising items 12, 15 & 19.

REPLACEMENT PARTS



No	Part No	Description
1	HEBPP35C01	Split Pin
2	HEBPP35C02	Flat Washer
3	HEBPP35C03	Operating Handle
4	HEBPP35C04	Hinge Pin 9 x 35mm
5	HEBPP35C05	Hinge Pin 9 x 55mm
6	HEBPP35C06	Square Washer
7	HEBPP35C07	Bolt M10 x 20
8	HEBPP35C08	Piston Rod
9	HEBPP35C09	Threaded Cap
10	HEBPP35C10	Plunger Cage

No	Part No	Description
11	HEBPP35C11	Inlet Valve
12	HEBPP35C12	Rubber Washer
13	HEBPP35C13	Pump Housing
14	HEBPP35C14	Bolt M10 x 40
15	HEBPP35C15	Silicon Sealing Washer
16	HEBPP35C16	Pump Top
17	HEBPP35C17	Pump Base
18	HEBPP35C18	Plunger Weight
19	HEBPP35C19	Leather Cup Seal
20	HEBPP35C20	Hinge Pin 9 x 38mm

A SELECTION FROM THE VAST RANGE OF

Clarke®

QUALITY PRODUCTS

AIR COMPRESSORS

From DIY to industrial, Plus air tools, spray guns and accessories.

GENERATORS

Prime duty or emergency standby for business, home and leisure.

POWER WASHERS

Hot and cold, electric and engine driven - we have what you need

WELDERS

Mig, Arc, Tig and Spot. From DIY to auto/industrial.

METALWORKING

Drills, grinders and saws for DIY and professional use.

WOODWORKING

Saws, sanders, lathes, mortisers and dust extraction.

HYDRAULICS

Cranes, body repair kits, transmission jacks for all types of workshop use.

WATER PUMPS

Submersible, electric and engine driven for DIY, agriculture and industry.

POWER TOOLS

Angle grinders, cordless drill sets, saws and sanders.

STARTERS/CHARGERS

All sizes for car and commercial use.



PARTS & SERVICE: 020 8988 7400

E-mail: Parts@clarkeinternational.com or Service@clarkeinternational.com

SALES: UK 01992 565333 or Export 00 44 (0)1992 565335

Clarke INTERNATIONAL Hemnall Street, Epping, Essex CM16 4LG
www.clarkeinternational.com