

# Clarke®



## USER INSTRUCTIONS

# 150mm DIGITAL CALIPER

**Model No: CM145**

**Part No: 4500360**

Thank you for purchasing this CLARKE 150mm Digital Caliper.

Please read this instruction leaflet thoroughly and follow the instructions carefully, to ensure that the instrument will give you long and satisfactory service.

Please keep these instructions in a safe place for future reference.



**Waste electrical products should not be disposed of with household waste. Please dispose of at your local recycling facility.**

GC0113

## GUARANTEE

This CLARKE product is guaranteed against faulty manufacture for a period of 12 months from the date of purchase.

Please keep your receipt as proof of purchase.

This guarantee is invalid if the product is found to have been abused or tampered with in any way, or not used for the purpose for which it was intended.

Faulty goods should be returned to their place of purchase, no product can be returned to us without prior permission.

This guarantee does not effect your statutory rights.

## SPECIFICATIONS

Measuring Range: ..... 0mm - 150mm

Measuring Scale: ..... 0.01mm/0.005"

Measuring Tolerances:

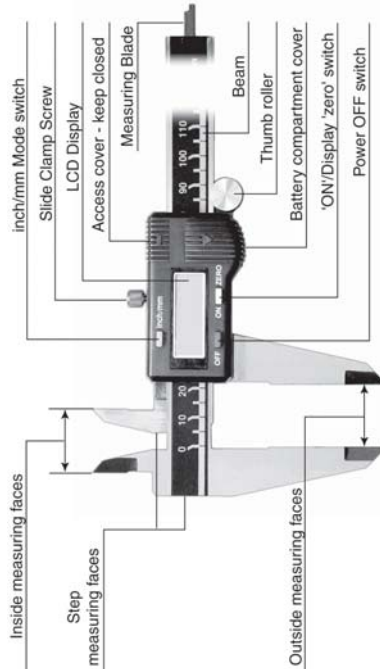
0mm - 150mm: ..... 0.03mm

Battery Type & Voltage: ..... Alkaline Cell  
(LR44) 1.55 Volt

## SAFETY PRECAUTIONS

- Keep the body of the caliper clean at all times, do not use alcohol or other corrosive chemicals as they could damage the internal electronics.
- Prevent accidental damage to the caliper by storing in its case when not in use.
- DO NOT immerse the caliper in liquid or allow liquid to enter the slide.

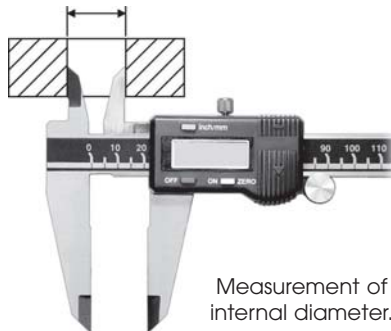
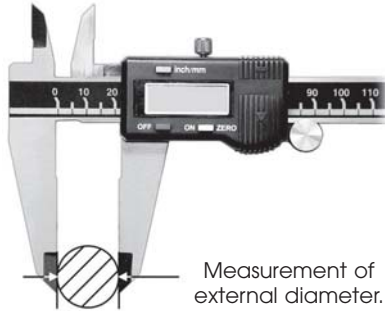
## GENERAL VIEW



## SETUP AND OPERATION

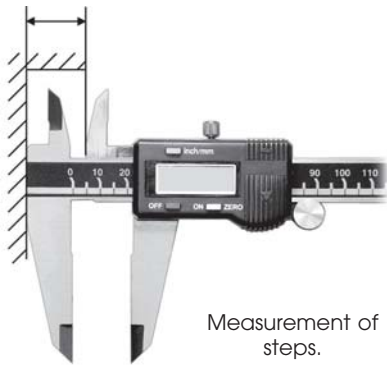
- Loosen the slide clamp screw.
- Press the ON button to switch the calipers on, select the required measuring unit by pressing the inch/mm mode switch.
- Apply pressure to the thumb roller and close the caliper jaws, press the 'ZERO' button to zero the display.

## APPLICATIONS





Measurement of depth.



Measurement of steps.

## BATTERY REPLACEMENT

When the display constantly flashes the battery requires replacement.

Slide off the battery compartment cover and insert a new battery with the positive (+) side facing up.



## TROUBLESHOOTING

<b>FAULT:</b>	<b>CAUSE/SOLUTION:</b>
Display flashes constantly.	Low battery - Replace battery.
Display fails to change when slider is moved.	Electronic fault - Remove battery & re-insert after 30 seconds.
Display fails to function.	Battery flat or in poor contact - Re-insert or replace battery.
Measuring becomes less accurate.	Dirty sensor - Clean caliper thoroughly with compressed air.



Please Note that details and specifications herein,  
are correct of time of going to print.

However CLARKE International reserve the right to  
change specifications at any time without prior  
notice.

Copyright CLARKE International All rights Reserved  
2006.

**For spare parts and servicing,  
please contact your nearest  
dealer, or CLARKE International**

**on:**

**020 8988 7400**

**or email:**

**Parts@clarkeinternational.com  
Service@clarkeinternational.com**

**CLARKE International,  
Hemnal Street, Epping, Essex, CM16 4LG**

A SELECTION FROM THE VAST RANGE OF

# Clarke

## QUALITY PRODUCTS

**AIR COMPRESSORS**  
From DIY to industrial. Put on tools, spray guns and blowers.

**GENERATORS**  
Prime duty or emergency standby for business, home and leisure.

**POWER WASHERS**  
Hot and cold, electric and engine driven - we have what you need.

**WELDERS**  
Mig, Arc, Spot and Laser. From DIY to professional use.

**METALWORKING**  
Drills, grinders and saws for DIY and professional use.

**WOODWORKING**  
Saws, sanders, planers, chisellers and dust extractors.

**HYDRAULICS**  
Cranes, body-lifts, jacks, transmission jacks for all types of workshop use.

**WATER PUMPS**  
Submersible, electric and engine driven for DIY, agriculture and industry.

**POWER TOOLS**  
Angle grinders, cordless drill sets, saws and splitters.

**STARTER/CHARGERS**  
All sizes for car & commercial use.



**Clarke** INTERNATIONAL

For spare parts and servicing please contact your nearest dealer, or Clarke International on

**020 - 8988 - 7400**

e-mail: [Parts@clarkeinternational.com](mailto:Parts@clarkeinternational.com) e-mail: [Service@clarkeinternational.com](mailto:Service@clarkeinternational.com)