

Clanliffe®

STRONG-ARM



250kg and 400kg POWER WINCH

Models CHP 250 and CHP 400
Part Nos. 7630400 and 7630420

OPERATING & MAINTENANCE INSTRUCTIONS



Thank you for purchasing this CLARKE Power Winch.

This versatile machine is designed for domestic, non-industrial use, and is ideal for winching trailers, raising straw bales etc.

Before operating the machine, please read this leaflet thoroughly and follow the instructions carefully. In doing so you will ensure the safety of yourself and that of others around you, and you can look forward to the Power Winch giving you long and satisfactory service.

GUARANTEE

This CLARKE product is guaranteed against faulty manufacture for a period of 12 months from the date of purchase. Please keep your receipt as proof of purchase. This guarantee is invalid if the product is found to have been abused or tampered with in any way, or not used for the purpose for which it was intended.

Faulty goods should be returned to their place of purchase, no product can be returned to us without prior permission. This guarantee does not effect your statutory rights.

SAFETY PRECAUTIONS

1. This machine is designed for indoor, domestic use. Do not use outdoors unless it is completely protected against the elements.
2. Keep children well away from the machine.
3. Do not service the machine in any way when it is plugged in to an electrical supply.
4. Protect the machine from extreme weather conditions, i.e. frost and/or high temperatures.
5. The machine is not equipped with an overload cut-out. If the load exceeds the capacity of the machine, do not persist in pushing the hoist button as this will cause the motor to overheat and eventually damage will be incurred.
6. NEVER stand beneath a raised load.
7. Before operating it is important to ensure that the steel cable is correctly wound around the drum - see fig. 3, page 4.
8. Before operating ensure that at least THREE turns of the cable are wound around the drum.
9. If the cable needs replacing, ensure it is replaced with one of identical specification. Contact your CLARKE dealer or the CLARKE International Service Department for advice.
10. Ensure that the switches are kept in good condition.
11. Before use, always inspect the machine and its' mountings to ensure they are in good condition. If any damaged or broken parts are found, the machine should be removed from service and the parts renewed or repaired before further use.
12. Always wear industrial gloves when operating the machine.
13. When pulling or dragging a horizontal load, do not stand between the load and the machine and keep others well away from the area.

ELECTRICAL CONNECTIONS

Connect the mains lead to a standard, 230 Volt (50Hz) electrical supply through an approved 13 amp BS 1363 plug, or a suitably fused isolator switch.

WARNING! THIS APPLIANCE MUST BE EARTHED

IMPORTANT: The wires in the mains lead are coloured in accordance with the following code:

Green & Yellow	-	Earth
Blue	-	Neutral
Brown	-	Live

As the colours of the flexible cord of this appliance may not correspond with the coloured markings identifying terminals in your plug proceed as follows:

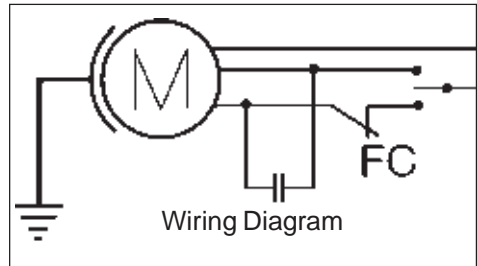
Connect GREEN & YELLOW coloured cord to plug terminal marked with a letter "E" or Earth symbol "⏏" or coloured GREEN or GREEN & YELLOW.

Connect BROWN cord to plug terminal marked with a letter "L" or coloured RED.

Connect BLUE cord to plug terminal marked with a letter "N" or coloured BLACK.

If this appliance is fitted with a plug which is moulded onto the electric cable (i.e. non-rewirable) please note:

1. The plug must be thrown away if it is cut from the electric cable. There is a danger of electric shock if it is subsequently inserted into a socket outlet.
2. Never use the plug without the fuse cover fitted.
3. Should you wish to replace a detachable fuse carrier, ensure that the correct replacement is used (as indicated by marking or colour code).
4. Replacement fuse covers can be obtained from your local dealer or most electrical stockists.
5. The fuse in the plug must be replaced with one of the same rating (**13 amps**) and this replacement must be ASTA approved to BS1362

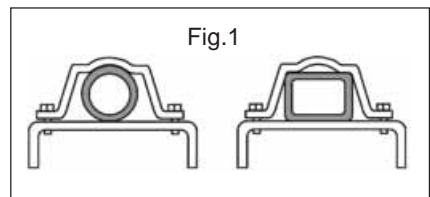


INSTALLATION

The Hoist is provided with a specially designed brackets allowing it to be attached to pipes, box sections or rectangular beams. (see fig. 1)

Beam dimensions must be carefully calculated and all mountings must be of adequate size and capable of sustaining the maximum load of the hoist, plus the weight of the hoist and mountings.

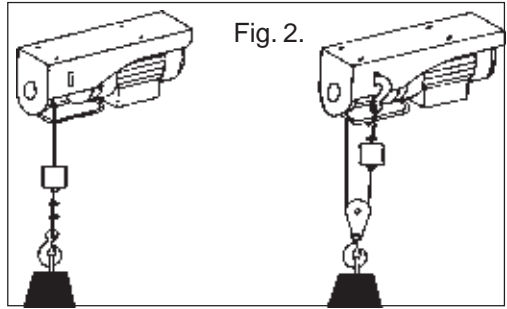
If there is any uncertainty, You should consult a qualified engineer.



OPERATION

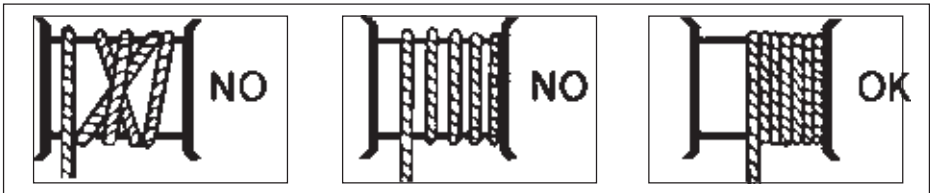
Taking all necessary precautions previously stated, pay out the cable, under tension so that the coils on the drum remain neatly in place. Attach the hook to the load, ensuring it is directly above the centre of gravity of the load, or in a direct line with the winch.

Ensuring that no obstacle prevents a clean lift or pull, gently raise the load or winch 'in'.



When lowering a load, be aware that when the hoist button is released, the load will not stop immediately, but may continue for a few more millimeters as the brake takes effect. It is possible to double the capacity of the hoist by doubling the cable about the pulley, and attaching the hook to the hoist casing via the hole provided. (see fig. 2)

Fig.3.



MAINTENANCE

Before use, check to ensure the motor stop switch and push button switch are in good condition.

Periodically, fully unwind the cable and check its general condition, for fraying, corrosion etc.

Periodically check the security and condition of the mountings and brackets.

Periodically check the tightness of all bolts and screws.

NOTE: When in constant use, the hoist should be inspected more frequently - at least monthly.

IMPORTANT

These machines have been tested to a safety factor of 1.25.

Following repairs or disassembly, they must be re-tested with a static load of 315kg (CHP250) or 500kg (CHP400), in double wire mode.

There must be no failure or deformity of any kind incurred.

TROUBLESHOOTING

PROBLEM	CAUSES	REMEDIES
When operating the switch the motor does not run.	<ol style="list-style-type: none"> 1. The cable or extension is not plugged in correctly 2. Power failure 	<ol style="list-style-type: none"> 1. Plug in the power cable correctly 2. Check plug fuse, and ensure outlet is live.
Motor hums but will not hoist	<ol style="list-style-type: none"> 1. The motor has overheated 2. The load exceeds the hoist capacity 3. Brake has become stuck during storage. 	<ol style="list-style-type: none"> 1. Allow it to cool down 2. Reduce the load 3. Press hoist button quickly a few times to free brake
Brake does not operate, and load slips	<ol style="list-style-type: none"> 1. Brake is worn out 	<ol style="list-style-type: none"> 1. Renew brake Contact your CLARKE dealer for advice
Cable twisted frayed or kinked	<ol style="list-style-type: none"> 1. Incorrectly wound on drum. 2. Cable stored unwound, in poor conditions. 	<ol style="list-style-type: none"> 1. Replace cable. 2. Replace cable.

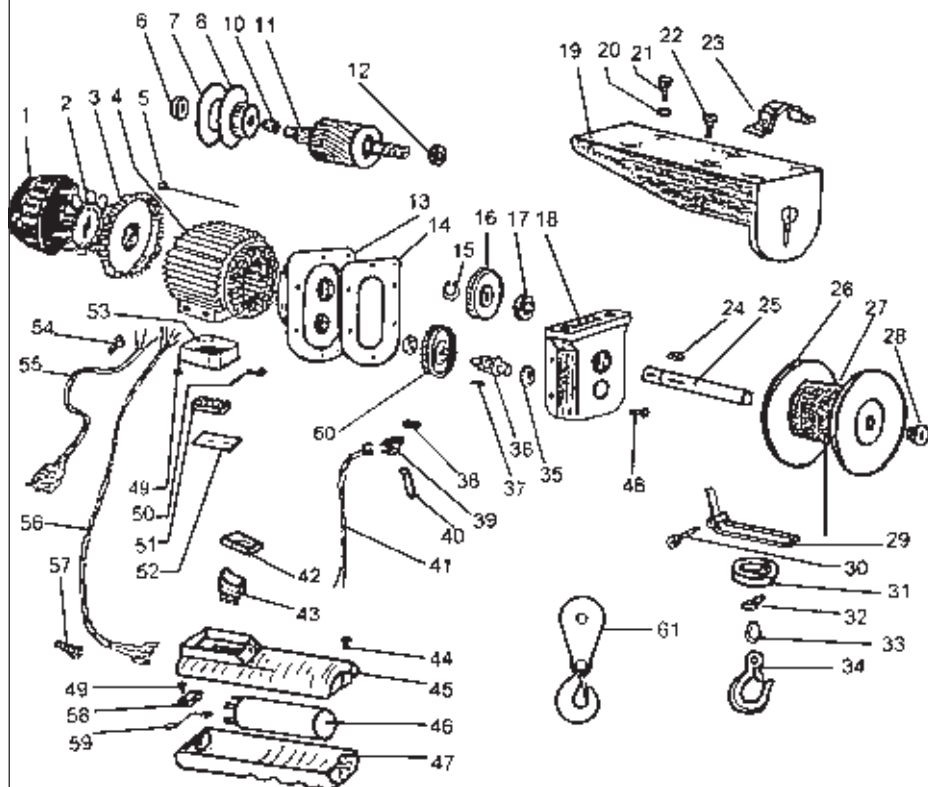
SPECIFICATIONS

	CHP250	CHP 400
Load Capacity (Single Cable)	125kg	200kg
Lifting Height (Single Cable)	11m	12m
Load Capacity (Double Cable)	250 kg	400kg (Double Cable)
Lifting Height (Double Cable)	5.5 m	6m
Lifting Speed (Single Cable)	5.5 m/min	6 m/min
Cable Length	12 m	13m
Cable Diameter	3mm Twist Free	3.6mm Twist Free
Resister cable	900 kg	1400kg
Duty Cycle	S3 25% 4min	S3 40% 4 min
Electrical Supply	230V 50 Hz 1 Phase	230V 50 Hz 1 Phase
Power rating	530 Watts	880 Watts
Dimensions	366x155x230 mm	400x170x260 mm
Noise Level	> 70dB at 125kg load	> 70dB at 200kg load
Weight	10 kg	16kg

PARTS LIST

No. Description	CHP250	CHP400	No. Description	CHP250	CHP400
	Part No.	Part No.		Part No.	Part No.
1 Fan Cover	502002	502006	30 Screw	401012	401011
2 Fan	502001	502005	31 Safety Ring	84	84
3 Shield	100	150	32 Clamp	510005	510002
4 Casing w/Stator	634002	634003	33 U Bolt	510007	510007
5 Stud	409001	409006	34 Hook	515002	515002
6 Bearing	440001	440006	35 Bearing	440003	440003
7 Gasket Friction	n/a	n/a	36 Pinion	115	162
8 Hub	35004	35004	37 Key	428003	428003
9 Hub Gasket	350004	350005	38 Connector	425002	425002
10 Spring	512001	512003	39 Switch	302002	302002
11 Shaft	101A	151	40 Spring	512002	512002
12 Bearing	440001	440006	41 Cable Electric	n/a	n/a
13 Flange	107	157	42 Cover	610004	610004
14 Gasket	135	135	43 Switch	610005	610005
15 Circlip	424001	424001	44 Screw	410002	410002
16 Pinion	154	161	45 Grip	113	163
17 Bearing	440002	440002	46 Capacitor	615004	615006
18 Housing	159	159	47 Grip	108	158
19 Support Hsg.	85	175	48 Screw	411001	411001
20 Washer	420002	420002	49 Screw	410003	410003
21 Screw	401003	401003	50 Cable	616002	616002
22 Screw	406001	406001	51 Clamp	522002	522002
23 Bracket	131	131	52 Gasket	n/a	n/a
24 Key	428002	428002	53 Terminal	502007	502007
25 Shaft	110	160	54 Grommet	523005	523005
26 Drum	74	166	55 Cable Electric	614003	614001
27 Cable 125x12	350001	350006	56 Cable Electric	616007	616007
27 Cable 125x15	350002	350007	57 Grommet	523008	503008
27 Cable 125x6	350003	350008	58 Clip	523001	523001
28 Bush	128	128	59 Cable	616003	616003
29 Cable Ring	119	169	60 Pinion	154	154
			61 Pulley/Hook Assy	n/a	n/a

PARTS DIAGRAM



PARTS & SERVICE CONTACTS

For Spare Parts and Service, please contact your nearest dealer,
or CLARKE International, on one of the following numbers.

PARTS & SERVICE TEL: 020 8988 7400

PARTS & SERVICE FAX: 020 8558 3622

or e-mail as follows:

PARTS: Parts@clarkeinternational.com

SERVICE: Service@clarkeinternational.com



When disposing of this product, do not dispose of with general waste. It must be disposed of according to the laws governing Waste Electrical and Electronic equipment, at a recognised disposal facility.

Please note that the details and specifications contained herein, are correct at the time of going to print. However, CLARKE International reserve the right to change specifications at any time without prior notice.

A SELECTION FROM THE VAST RANGE OF

Clarke®

QUALITY PRODUCTS

AIR COMPRESSORS

From DIY to industrial. Plus air tools, spray guns and accessories.

GENERATORS

Prime duty or emergency standby for business, home and leisure.

POWER WASHERS

Hot and cold, electric and engine driven - we have what you need.

WELDERS

Mig, Arc, Tig and Spot. From DIY to auto/industrial.

METALWORKING

Drills, grinders and saws for DIY and professional use.

WOODWORKING

Saws, sanders, lathes, mortisers and dust extraction.

HYDRAULICS

Cranes, body repair kits, transmission jacks for all types of workshop use.

WATER PUMPS

Submersible, electric and engine driven for DIY, agriculture and industry.

POWER TOOLS

Angle grinders, cordless drill sets, saws and sanders.

STARTER/CHARGERS

All sizes for car & commercial use.



Clarke® INTERNATIONAL

For spare parts and servicing, please contact your nearest dealer, or Clarke International on

020 - 8988 - 7400

e-mail: Parts@clarkeinternational.com e-mail: Service@clarkeinternational.com

Hemnal Street, Epping, Essex CM16 4LG