

CLARKE®



Workbench with Cabinet

Model: CWB80B

Part No: 4800110

ASSEMBLY INSTRUCTIONS

INTRODUCTION

Thank you for purchasing this CLARKE product. Before assembling the workbench/tool cabinet, be sure to read these instructions thoroughly. In doing so you will ensure the safety of yourself and of others around you, and you can look forward to the product giving you long and satisfactory service.

GUARANTEE

This CLARKE product is guaranteed against faulty manufacture for a period of 12 months from the date of purchase. Please keep your receipt as proof of purchase. This guarantee is invalid if the product is found to have been abused or tampered with in any way, or not used for its intended purpose.

Faulty goods should be returned to their place of purchase, no product can be returned to us without prior permission.

This guarantee does not effect your statutory rights.

CONTENTS

Open the carton and lay out the components carefully, identifying them according to the parts list and diagram on pages 6 and 7.

Should any part be damaged or missing, please contact your Clarke dealer immediately for replacement.

ASSEMBLY

The cabinet body is constructed from 5 panels plus the door. The top and bottom panels are identical, as are the side panels. Care must be taken to ensure they are assembled correctly by taking note of the instructions and referring to the appropriate diagram.

All fixing screws should be entered from the outside and secured on the inside by the flat washers and nuts provided.

Assembly should be carried out with all nuts finger tight only - DO NOT tighten the nuts until the structure is fully assembled as described in the instructions.

You will find it easier and more comfortable to assemble the cabinet, complete with legs, on a workbench. Additionally, it is easier and quicker if an assistant screws on the nuts from inside the cabinet whilst the screw is held on the outside.

NOTES:

1. **Assembly is simplified if an extra pair of hands is available.**
2. **All fixing screws should be finger tight ONLY, until the complete structure is assembled.**
3. ***Assemble on a workbench with suitable free working area.***

The assembly procedure is as follows:

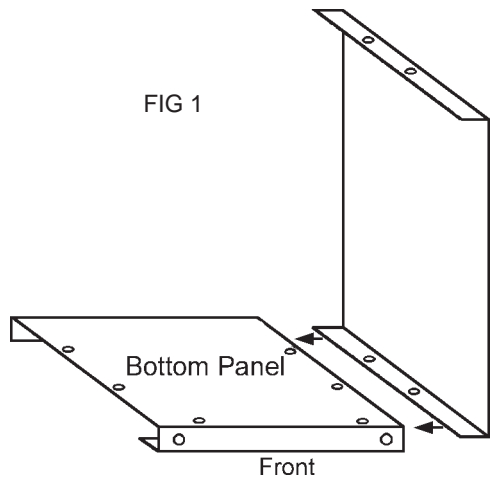
THE CABINET

The front of each panel is the end where a channel is formed, as shown in fig 1.

1. Lay one such panel, (channel down), with a side panel positioned alongside as shown.

The bottom panel should sit on top of the lower lip of the side panel.

2. Secure with two screws, flat washers and nuts.
3. Attach the opposite side panel in a similar manner.



4. Locate the door lower hinge pin into the hole in the lower panel, then place the top panel on top of the two side panels as shown in Fig 2, locating the door top hinge pin in the hole in the upper panel as you do so.

Secure the panel to the sides with screws, nuts & washers in the holes shown arrowed in Fig 2.

5. Position the structure so that the front of it hangs over the edge of your workbench so that you can easily bolt on the front right hand leg, as indicated in Fig 3.
6. Before you can bolt on the front left hand leg, the door closing plate must first be bolted to it. This is also indicated in Fig.3.

Bolt on the retaining plate using the centre hole only at (A), then offer up the leg to the box and fit the bolts at the top and bottom (B), and finally on to the right hand side panel (C).

7. With the two front legs bolted on, turn the structure so that it is lying on one side.

Place the back panel in position and hold in place by entering a screw through the centre hole only on the top and bottom panels, and securing with a washer and nut from inside the box.

8. Bolt on the rear leg.
9. Turn the structure over onto its opposite side and bolt on the other leg.
10. Stand the structure on its feet and rock it to ensure that no particular part is under strain, and so that it stands evenly. Check the angle which the top and bottom panels make with their side panels using the door as a template....(it should be right angles). If not adjust the structure by hand, so that it is square, then proceed to tighten all the securing nuts.
11. Finally place the structure on its feet and test for stability, adjust the bolts, as necessary, and secure by tightening the nuts.

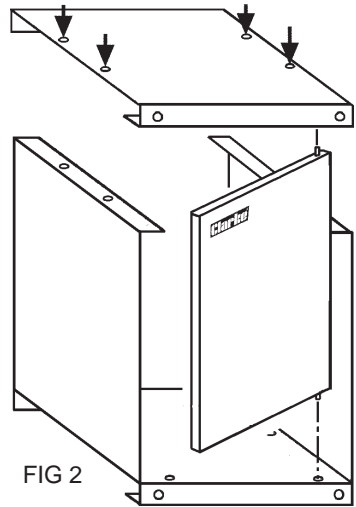


FIG 2

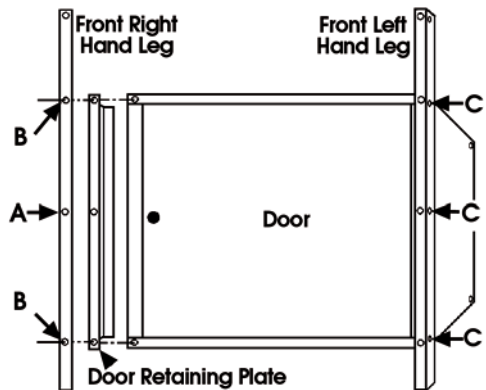
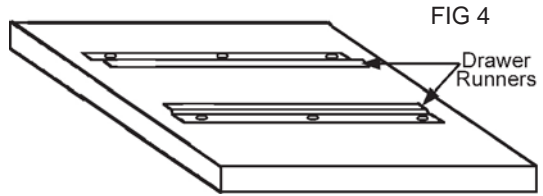


FIG 3

THE TABLE TOP

1. Turn the table top face down and attach the two drawer runners as shown in fig 4, using three screws each side, entering them in the pre-drilled holes in the tabletop.
2. The table is now ready to be assembled to the cabinet.
3. With the table top remaining face down, position the cabinet on top, with the feet uppermost.



NOTE: The front of the table top is the edge closest to the drawer runners. Take care to align this with the front of the cabinet.

4. Line up the holes in the legs with the pre-drilled holes in the table top, and locate with screws. Tighten fully.
5. Turn the structure back onto its feet.

THE DRAWER

The drawer comprises:

2 x Side panels, 1 x Front panel, 1 x Back panel, 1 x Bottom panel

1. Having identified the various parts as in Fig 5, bolt the side panels to the front panel as shown, then add the back panel with all screws only finger tight.
2. Drop in the bottom panel and secure with screws, nuts and washers.
3. Ensure the drawer is square before tightening all the nuts.
4. Slide the drawer into place beneath the table.

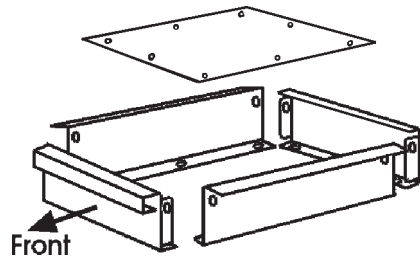
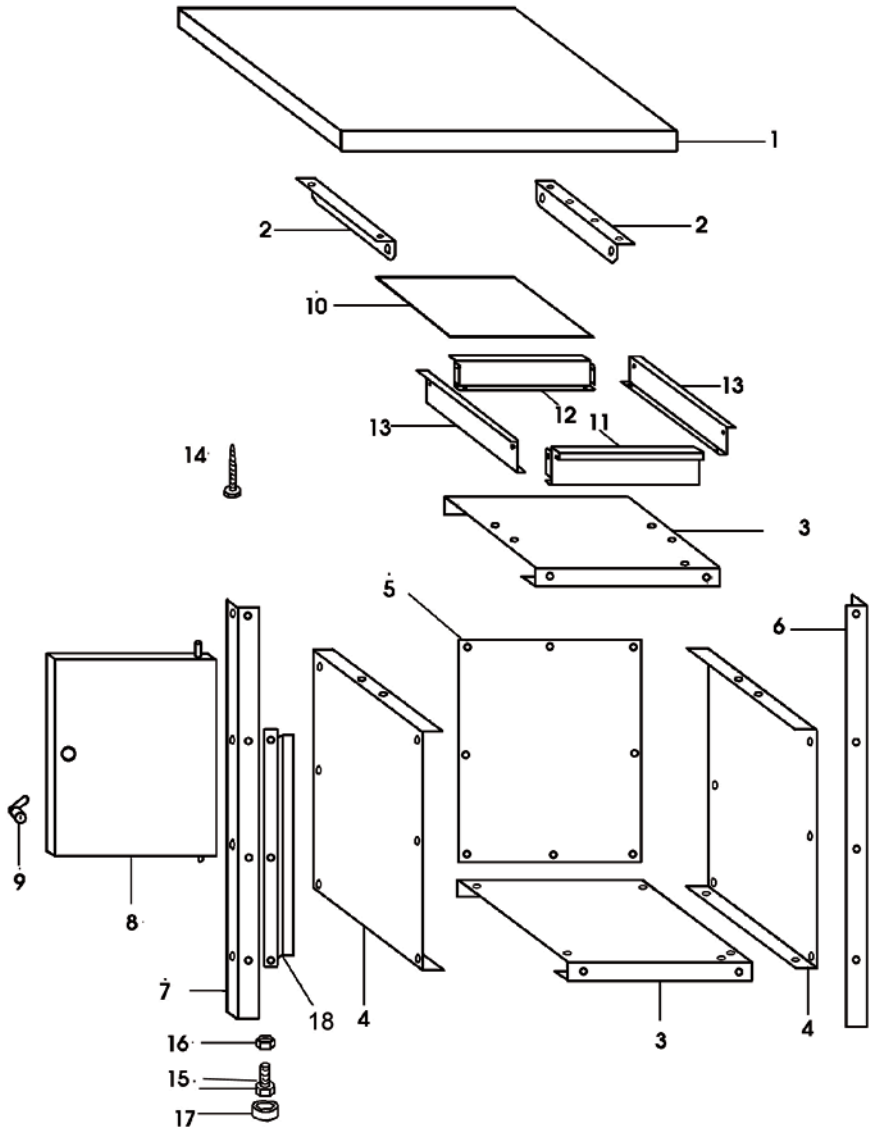


FIG 5

Your workbench is now fully assembled and ready for use.

PARTS DIAGRAM



PARTS LIST

Item	Description	Qty	Part No
1	Table Top	1	GACWB80B01
2	Drawer Runner	2	GACWB80B02
3	Top/Bottom Panel	2	GACWB80B03
4	Left/ Right Hand Side Panel	2	GACWB80B04
5	Rear Panel	1	GACWB80B05
6	Leg - standard	3	GACWB80B06
7	Leg - Left Hand Front	1	GACWB80B07
8	Door Panel	1	GACWB80B08
9	Door Lock Assembly c/w keys & tab	1	GACWB80B09
10	Drawer Bottom	1	GACWB80B010
11	Drawer Front	1	GACWB80B11
12	Drawer Back	1	GACWB80B12
13	Drawer Side	2	GACWB80B13
14	Woodscrew	14	n/a
15	Bolt	44	n/a
16	Nut	44	n/a
17	Flat Washer	44	n/a
18	Door Closing Plate	1	GACWB80B18

A SELECTION FROM THE VAST RANGE OF

Clarke®

QUALITY PRODUCTS

AIR COMPRESSORS

From DIY to industrial, Plus air tools, spray guns and accessories.

GENERATORS

Prime duty or emergency standby for business, home and leisure.

POWER WASHERS

Hot and cold, electric and engine driven - we have what you need

WELDERS

Mig, Arc, Tig and Spot. From DIY to auto/industrial.

METALWORKING

Drills, grinders and saws for DIY and professional use.

WOODWORKING

Saws, sanders, lathes, mortisers and dust extraction.

HYDRAULICS

Cranes, body repair kits, transmission jacks for all types of workshop use.

WATER PUMPS

Submersible, electric and engine driven for DIY, agriculture and industry.

POWER TOOLS

Angle grinders, cordless drill sets, saws and sanders.

STARTERS/CHARGERS

All sizes for car and commercial use.



PARTS & SERVICE: 020 8988 7400

E-mail: Parts@clarkeinternational.com or Service@clarkeinternational.com

SALES: UK 01992 565333 or Export 00 44 (0)1992 565335

Clarke INTERNATIONAL Hemnall Street, Epping, Essex CM16 4LG
www.clarkeinternational.com