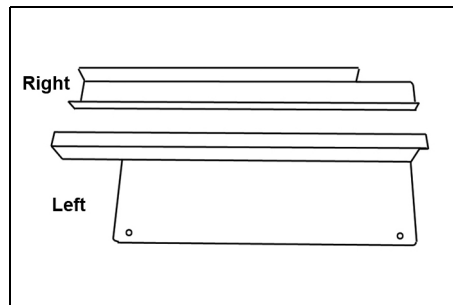




CWB1500D ADDENDUM

Please note that if a CD3WB 3-drawer unit is purchased, left/right hand securing brackets are used.



Place the unit in position on the lower shelf and bolt the left/right hand securing brackets to the top of the CD3WB using the four bolts/nuts & washers supplied.

The locating brackets will align with the drawer supports to retain the drawer unit in position.

