

CLARKE®

WOODWORKER



ROTARY ORBITAL SANDER

MODEL NO: CROS1

PART NO: 6462010

OPERATION & MAINTENANCE INSTRUCTIONS



GC0913

INTRODUCTION

Thank you for purchasing this CLARKE Variable Speed Orbital Sander, which is designed for DIY and light workshop use only.

Before attempting to use this product, please read this manual thoroughly and follow the instructions carefully. In doing so you will ensure the safety of yourself and that of others around you, and you can look forward to your purchase giving you long and satisfactory service.

GUARANTEE

This product is guaranteed against faulty manufacture for a period of 12 months from the date of purchase. Please keep your receipt which will be required as proof of purchase.

This guarantee is invalid if the product is found to have been abused or tampered with in any way, or not used for the purpose for which it was intended.

Faulty goods should be returned to their place of purchase, no product can be returned to us without prior permission.

This guarantee does not effect your statutory rights.

SPECIFICATION

Electrical Supply	230V 50Hz 1 ph
Power rating	420 Watt motor
Fuse rating	5 Amp
No Load Speed (variable)	4,000 - 11,000 rpm
Net Weight	2.2kg
Pad Size	125mm
Vibration Emissions	3.2m/s^2 / uncertainty value (k) = 1.28m/s^2

GENERAL SAFETY RULES



WARNING: WHEN USING ELECTRIC TOOLS, BASIC SAFETY PRECAUTIONS SHOULD ALWAYS BE FOLLOWED TO REDUCE THE RISK OF FIRE, ELECTRIC SHOCK AND PERSONAL INJURY INCLUDING THE FOLLOWING. READ ALL THESE INSTRUCTIONS BEFORE ATTEMPTING TO OPERATE THIS PRODUCT AND SAVE THESE INSTRUCTIONS FOR FUTURE REFERENCE.

GENERAL SAFETY IN THE WORKPLACE

1. ALWAYS ensure that air can circulate around the machine and that the air vents are unobstructed.
2. ALWAYS keep work area clean & tidy. Cluttered work areas and benches invite accidents.
3. NEVER over-reach. Keep proper footing and balance at all times.
4. NEVER store equipment in a wet/damp environment or expose to rain.
5. KEEP other persons away. Do not let persons, especially children, not involved in the work, touch the tool or extension cable and keep them away from the work area.
6. NEVER operate a machine when under the influence of alcohol, drugs or medication.
7. ALWAYS ensure the workplace is well lit. Ensure that lighting is placed so that you will not be working in your own shadow.
8. Do not use tools in the presence of flammable liquids or gasses.
9. Stay alert, watch what you are doing, use common sense and do not operate the tool when you are tired.

CARE OF POWER TOOLS

1. Read this manual carefully. Learn the machines applications and limitations, as well as the specific potential hazards peculiar to it.
2. ALWAYS keep guards in place and in working order. A guard or other part that is damaged should be properly repaired or replaced by an authorised service centre, unless otherwise indicated in this instruction manual.
3. Don't force the machine and use the correct tool. It will do the job better and safer, at the rate for which it was intended.
4. ALWAYS disconnect the machine from the power supply before carrying out any servicing or changing of accessories.

5. Before further use of the tool, it should be carefully checked to determine that it will operate properly and perform its intended function. Check for alignment of moving parts, binding of moving parts, breakage of parts, mounting or other condition that may affect its operation.
6. Have defective switches repaired by an authorised service centre. Do not use a tool if the switch does not turn it on and off.
7. ALWAYS check for any damage or any condition that could affect the operation of the machine. Damaged parts should be properly repaired.
8. Have your tool repaired by a qualified person. This tool complies with the relevant safety rules. Repairs should only be carried out by qualified persons using original spare parts, otherwise this may result in considerable danger to the user.
9. NEVER use this product for any other purpose than that described in this booklet.
10. NEVER abuse the power cable by yanking the cable to disconnect it from the socket. Keep the cable away from heat, oil or sharp edges.
11. Guard against electric shock. Avoid body contact with earthed or grounded surfaces.
12. If the tool should be used outdoors, use only extension cables intended for outdoor use and marked accordingly.
13. Avoid accidental starting by making sure the power switch is off before plugging in the power cable.

DUST EXTRACTION

The sander is provided with a dust extraction facility. Please note however, that this does not preclude the user from wearing a face mask to prevent the inhalation of dust particles.

It is an EEC requirement that a dust extraction facility be provided on power tools, however, due to the nature of the tool, some of the dust produced will be forced into the surrounding atmosphere and will not be collected.

ELECTRICAL CONNECTIONS



WARNING: READ THESE ELECTRICAL SAFETY INSTRUCTIONS THOROUGHLY BEFORE CONNECTING THE PRODUCT TO THE MAINS SUPPLY.


Before switching the product on, make sure that the voltage of your electricity supply is the same as that indicated on the rating plate. This product is designed to operate on 230VAC 50Hz. Connecting it to any other power source may cause damage.

This product may be fitted with a non-rewireable plug. If it is necessary to change the fuse in the plug, the fuse cover must be refitted. If the fuse cover becomes lost or damaged, the plug must not be used until a suitable replacement is obtained.

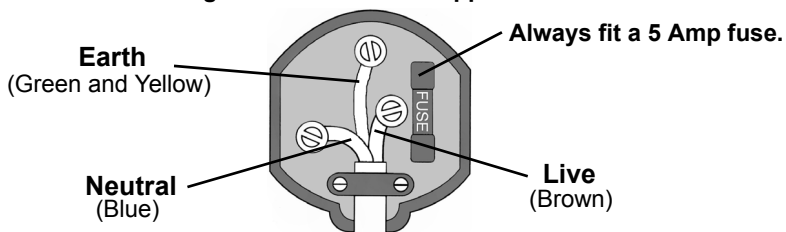
If the plug has to be changed because it is not suitable for your socket, or due to damage, it should be cut off and a replacement fitted, following the wiring instructions shown below. The old plug must be disposed of safely, as insertion into a mains socket could cause an electrical hazard.



**WARNING! The wires in the power cable of this product are coloured in accordance with the following code:
Blue = Neutral Brown = Live Yellow and Green = Earth**

- The wire which is coloured **Blue** must be connected to the terminal which is marked **N** or coloured **Black**.
- The wire which is coloured **Brown** must be connected to the terminal which is marked **L** or coloured **Red**.
- The wire which is coloured **Yellow and Green** must be connected to the terminal which is marked **E** () or coloured **Green**.

Plug must be BS1363/A approved.

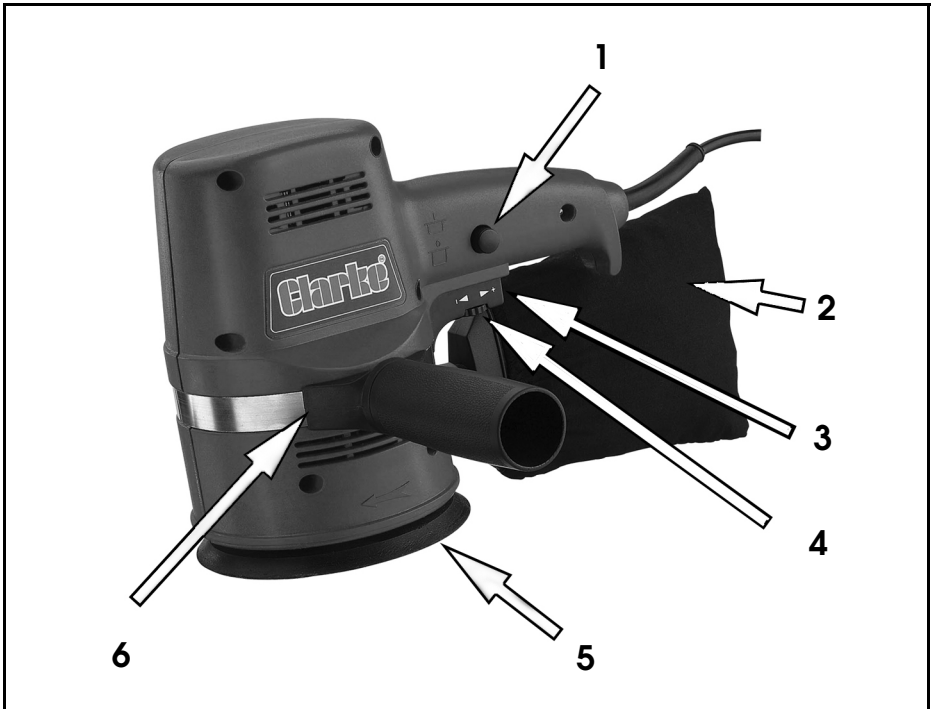


Ensure that the outer sheath of the cable is firmly held by the clamp

WE STRONGLY RECOMMEND THAT THIS MACHINE IS CONNECTED TO THE MAINS SUPPLY VIA A RESIDUAL CURRENT DEVICE (RCD)

If in any doubt, consult a qualified electrician. DO NOT attempt any repairs yourself.

PRODUCT OVERVIEW



NO	DESCRIPTION	NO	DESCRIPTION
1	Lock-On Button	4	Speed Control
2	Dust Bag	5	Sanding Pad
3	Trigger	6	Adjustable Handle

PREPARATION AND USE

FITTING A SANDING DISC

1. Select the disc to be used. (this MUST be correct 125m dia disc with hook and loop backing).
2. Ensure the sander is switched off and the plug is removed from the socket.

3. Line up the holes in the disc with those on the machine sanding pad. (This is necessary for dust extraction purposes). Press the disc firmly onto the pad to secure it.

FITTING THE HANDLE

Your sander is fitted with an adjustable support handle. This can be adjusted for position by loosening handgrip lightly, (unscrew anticlockwise) and rotating the handgrip around the body of the machine to the desired position, then tightening securely.

DUST COLLECTION

The dust collection bag is fitted by inserting the holder into the waste duct below the ON/OFF switch.

The dust bag must be emptied regularly:- do not wait until it is completely full.

The dust bag is emptied as follows.

1. Ensure the sander is switched OFF.
2. Gently remove the dust bag assy from the sander by turning whilst pulling.
3. Take the dust bag to the dustbin and slip the bag off, (the bag has an elasticated top), empty the bag into the bin.
4. Reassemble the dust bag assy and fit back on to the sander.

OPERATION

To operate, plug into the mains socket and switch on, holding the sander firmly with both hands. Squeeze the ON/Off switch located below the handle.

To control the speed, turn the knob located on the switch in the direction marked, i.e. - = lower speed + = higher speed.

The ON/Off switch can be locked for continuous sanding; to release the switch, just depress again and release.

Place the disc on the workpiece and switch on, working gently backwards and forwards across the work until finished. Release the switch, (wait until the motor has stopped fully before putting the sander down).

MAINTENANCE

Always inspect the sander before use and ensure it is in top condition.

Ensure all air vents are clear. (Use compressed air to clean the machine where possible).

Check the power cable to ensure it is sound and free from cracks, bare wires etc. Avoid using solvents when cleaning plastic parts, (most plastics are susceptible to damage from the various types of commercial solvents).

All bearings etc., in this tool are lubricated with sufficient high grade lubricant for the machine's lifetime under normal operating conditions, therefore no further lubrication is required.

TROUBLESHOOTING

SANDER IS OVERHEATING

Overheating indicates the machine is blocked with dust. Clean the ventilation holes, and blow out with compressed air. Wipe the exterior with a dry cloth.

Overloading the machine will also cause overheating. Do not use for heavy duty work and do not apply excessive pressure.

EXCESSIVE SPARKING

This indicates worn brushes. This problem is easily remedied but you should consult your CLARKE dealer for parts and advice.

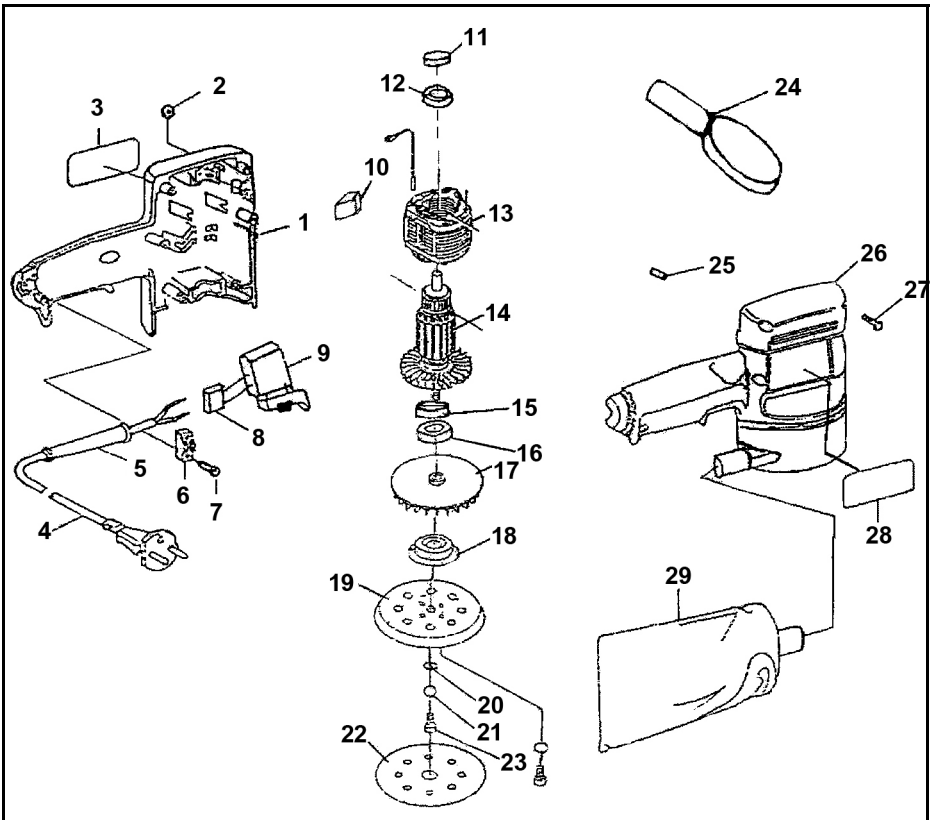
SANDER DOES NOT OPERATE WHEN SWITCHED ON

Check to ensure the fuse in the plug is sound and replace if necessary. If the fuse is sound or blows repeatedly, consult your CLARKE dealer.

DUST IS NOT EXTRACTED

The dust bag is full or the dust extractor flue is blocked, This is usually caused by allowing the bag to become too full. Remove and empty the bag, also clear any blockage.

PARTS DIAGRAM



PARTS LIST

ID	DESCRIPTION
1	Left Housing
2	Screw
3	Nameplate
4	Power Cable
5	Cable Sleeve
6	Cable Clamp

ID	DESCRIPTION
11	6002 Bearing
12	6002 Bearing
13	6002 Bearing
14	6002 Bearing
15	6002 Bearing
16	6002 Bearing
17	Fan Blade
18	Shaft Base
19	Base
20	Washer
21	Spring Washer

ID	DESCRIPTION
7	Screw
8	Capacitor
9	Variable Switch
10	Carbon Brush
11	Bearing Holder
12	6002 Bearing
13	Motor Stator
14	Motor Rotor
15	Bearing Holder

ID	DESCRIPTION
22	Sanding Disc
23	Screw
24	Handle
25	Rubber Pin
26	Right Housing
27	Screw
28	Data Plate
29	Dust Bag

When requesting spare parts, please quote the reference GR-CROS1 followed by the number listed.

REPLACEMENT DISCS

Random Orbit Sanding Discs 60 grit (pack of 5), Part No: 6463051
 Random Orbit Sanding Discs 100 grit (pack of 5), Part No: 6463052
 Random Orbit Sanding Discs 150 grit (pack of 5), Part No: 6463053

DECLARATION OF CONFORMITY



Clarke[®]
INTERNATIONAL

Hemndall Street, Epping, Essex CM16 4LG

DECLARATION OF CONFORMITY

This is an important document and should be retained.

We hereby declare that this product(s) complies with the following directive(s):

2004/108/EC *Electromagnetic Compatibility Directive.*

2006/42/EC *Machinery Directive.*

2011/65/EU *Restriction of Hazardous substances.*

The following standards have been applied to the product(s):

EN 55014-1:2006+ A1:2009, EN 55014-2:1997 +A1:2001 +A2:2008, EN 60745-2-4:2009 +A11:2011,

EN 61000-3-2:2006 +A1:2009 +A2:2009, EN 61000-3-3:2008, EN 60745-1:2009 +A11:2010.

The technical documentation required to demonstrate that the product(s) meet(s) the requirement(s) of the aforementioned directive(s) has been compiled and is available for inspection by the relevant enforcement authorities.

The CE mark was first applied in: 2003

Product Description: Random Orbit Sander
Model number(s): CROS1
Serial / batch Number: N/A
Date of Issue: 12/09/2013

Signed:

J.A. Clarke
Director

A SELECTION FROM THE VAST RANGE OF

Clarke®

QUALITY PRODUCTS

AIR COMPRESSORS

From DIY to industrial, Plus air tools, spray guns and accessories.

GENERATORS

Prime duty or emergency standby for business, home and leisure.

POWER WASHERS

Hot and cold, electric and engine driven - we have what you need

WELDERS

Mig, Arc, Tig and Spot. From DIY to auto/industrial.

METALWORKING

Drills, grinders and saws for DIY and professional use.

WOODWORKING

Saws, sanders, lathes, mortisers and dust extraction.

HYDRAULICS

Cranes, body repair kits, transmission jacks for all types of workshop use.

WATER PUMPS

Submersible, electric and engine driven for DIY, agriculture and industry.

POWER TOOLS

Angle grinders, cordless drill sets, saws and sanders.

STARTERS/CHARGERS

All sizes for car and commercial use.



PARTS & SERVICE: 020 8988 7400

E-mail: Parts@clarkeinternational.com or Service@clarkeinternational.com

SALES: UK 01992 565333 or Export 00 44 (0)1992 565335

Clarke® INTERNATIONAL Hemnall Street, Epping, Essex CM16 4LG
www.clarkeinternational.com