

A SELECTION FROM THE VAST RANGE OF

Clarke®

QUALITY PRODUCTS

AIR COMPRESSORS

From DIY to industrial. Plus air tools, spray guns and accessories.

GENERATORS

Prime duty or emergency standby for business, home and leisure.

POWER WASHERS

Hot and cold, electric and engine driven - we have what you need.

WELDERS

Mig, Arc, Tig and Spot. From DIY to auto/industrial.

METALWORKING

Drills, grinders and saws for DIY and professional use.

WOODWORKING

Saws, sanders, lathes, mortisers and dust extraction.

HYDRAULICS

Cranes, body repair kits, transmission jacks for all types of workshop use.

WATER PUMPS

Submersible, electric and engine driven for DIY, agriculture and industry.

POWER TOOLS

Angle grinders, cordless drill sets, saws and sanders.

STARTER/CHARGERS

All sizes for car & commercial use.



Clarke®

WOODWORKER



6 inch PLANER

MODEL Nos. CP6

Part No. 6462125

Clarke® INTERNATIONAL

For spare parts and servicing, please contact your nearest dealer, or Clarke International on

020 - 8988 - 7400

e-mail: Parts@clarkeinternational.com e-mail: Service@clarkeinternational.com

Hemnall Street, Epping, Essex CM16 4LG

OPERATING & MAINTENANCE INSTRUCTIONS



SPECIFICATIONS

Model	CP6
Part No	6462125
Voltage	230 VAC
Power Input	1100Watts
Maximum Input Current	3.3Amps
Plug Fuse Rating	13Amps
Maximum Cutter Blade Speed	11.000RPM
Weight - unpacked	14.5 Kg
No Load Sound Power Level (measured)	99.2 dBLwa
Maximum Cutting Depth	2.0 mm
Maximum Machining Width	152mm
Dimensions	693x323x345mm

Please note that the details and specifications contained herein are correct at the time of going to print. However CLARKE International reserve the right to change specifications at any time without prior notice. Always consult the machines data bracket

DECLARATION OF CONFORMITY

We declare that this 6" Planer, Model : CP6, complies with the following standards/directives:

98/37/EC Annex IV • EN 61029-1-2000

Certificate issued by: TUV Rheinland Product Safety GmbH,
Am Grauen Stein, D-51105, Cologne.

Certificate Number: BM60009799 0001

Report Number: 15006194 002

For Product Serial/Batch Number, see product data plate

signed 
Engineering Manager

LIST OF CONTENTS

1 x Planer	1 x 4mm Hex. Wrench
1 x Fence complete	1 x 5mm Flat Washer
1 x Dust Extraction Port Extension	1 x 5mm Lock Washer
1 x Dust Collection Bag	1 x M5x15 Hex. Socket Head Bolt
1 x Pushstick	1 x Instruction manual
1 x Hose Clip	



© Copyright CLARKE International. All rights reserved. March, 2001
"Waste electrical products should not be disposed of with household waste. Please dispose of at your local recycling facility".

PARTS & SERVICE TEL: 020 8988 7400

or e-mail as follows:

PARTS: Parts@clarkeinternational.com

SERVICE: Service@clarkeinternational.com

IMPORTANT:

The use of parts other than CLARKE replacement parts may result in safety hazards, decreased tool performance and may invalidate your warranty.

cont.

No.	Description	Qty	Part No.	No.	Description	Qty	Part No.
72	Bolt	1	NXCP6072	105	Screw	2	NXCP6105
73	Lock Washer	1	NXCP6073	106	Switch	1	NXCP6106
74	Washer	1	NXCP6074	107	Screw	3	NXCP6107
75	Screw	2	NXCP6075	108	Screw	4	NXCP6108
76	Bearing Cap	1	NXCP6076	109	Switch Box	1	NXCP6109
77	Needle Bearing	1	NXCP6077	110	Bolt	3	NXCP6110
78	Drive Shaft	1	NXCP6078	111	Lock Washer	3	NXCP6111
79	Strut	1	NXCP6079	112	Washer	3	NXCP6112
80	Hex. Nut	2	NXCP6080	113	Blower Pulley	1	NXCP6113
81	Hex. Nut	2	NXCP6081	114	Screw	4	NXCP6114
82	Bolt	4	NXCP6082	115	Blower Mtg Plate	1	NXCP6115
83	Bolt	3	NXCP6083	116	Ball Bearing	1	NXCP6116
84	Cutter Block	1	NXCP6084	117	Spacer	1	NXCP6117
85	Cutter Blade	2	NXCP6085	118	Ball Bearing	1	NXCP6118
86	Blade Support	2	NXCP6086	119	Shaft	1	NXCP6119
87	Bolt	8	NXCP6087	120	Screw	1	NXCP6120
88	Chip Collector	1	NXCP6088	121	Impeller	1	NXCP6121
89	Hex. Nut	3	NXCP6089	122	Washer	1	NXCP6122
90	Lock washer	3	NXCP6090	123	Bolt	1	NXCP6123
91	Bearing Cover	1	NXCP6091	124	Chip Exhaust	1	NXCP6124
92	Grooved Ball Brg.	1	NXCP6092	125	Deflector	1	NXCP6125
93	Motor	1	NXCP6093	126	Screw	6	NXCP6126
94	Motor Pulley	1	NXCP6094	127	Screw	4	NXCP6127
95	Washer	1	NXCP6095	128	Terminal	2	NXCP6128
96	Lock Washer	1	NXCP6096	129	Connector	4	NXCP6129
97	Hex. Nut	1	NXCP6097	130	Spade Connector	4	NXCP6130
98	Bolt	3	NXCP6098	131	Cable Clamp	1	NXCP6131
99	Washer	4	NXCP6099	132	Power Cable	1	NXCP6132
100	Lock Washer	4	NXCP6100	133	Dust Collection Bag	1	NXCP6133
101	Bolt	4	NXCP6101	134	Hose clip	1	NXCP6134
102	Drive Belt	1	NXCP6102	135	Front Table Top	1	NXCP6135
103	Screw	2	NXCP6103	136	Dust Port Extension	1	NXCP6136
104	Drive belt	1	NXCP6104				



Please read these instructions carefully before operating the tool

Thank you for purchasing this **CLARKE** 6" Planer.
 Before using the device, please read this manual thoroughly and carefully follow all instructions given. This is for your own safety and that of others around you, and is also to help you achieve a long and trouble free service from your new tool.

CLARKE GUARANTEE

This CLARKE product is guaranteed against faulty manufacture for a period of 12 months from the date of purchase. Please keep your receipt as proof of purchase.

This guarantee is invalid if the product is found to have been abused or tampered with in any way, or not used for the purpose for which it was intended.

Faulty goods should be returned to their place of purchase, no product can be returned to us without prior permission.

This guarantee does not affect your statutory rights.

CONTENTS

Page

Specifications :	2
Declaration of Conformity :	2
Guarantee :	3
Safety Precautions :	4&5
Electrical Connections :	6
Unpacking and Parts ID :	7
Assembly :	7
Operation :	8 & 9
Maintenance :	10
Parts List and Diagrams :	12 - 14

GENERAL SAFETY PRECAUTIONS



WARNING:

As with all machinery, there are certain hazards involved with their operation and use. Exercising respect and caution will considerably lessen the risk of personal injury. However, if normal safety precautions are overlooked or ignored, personal injury to the operator or damage to property, may result.

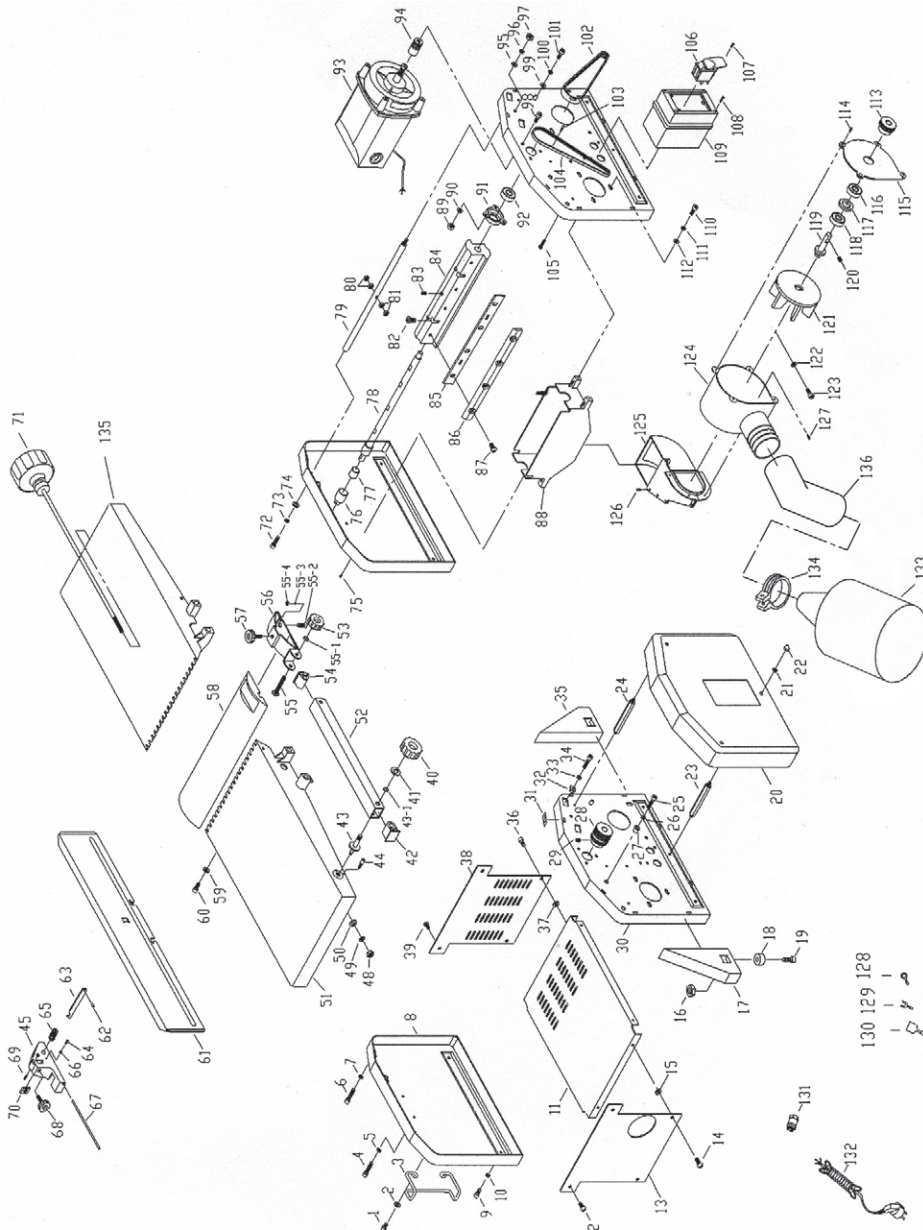
1. **ALWAYS** Learn the machines' applications, limitations and the specific potential hazards peculiar to it. Read and become familiar with the entire operating manual.
2. **ALWAYS** use a face or dust mask if operation is particularly dusty.
3. **ALWAYS** check for damage. Before using the machine, any damaged part, should be checked to ensure that it will operate properly, and perform its intended function. Check for alignment of moving parts, breakage of parts, mountings, and any other condition that may affect the machines' operation. Any damage should be properly repaired or the part replaced. If in doubt, **DO NOT** use the machine. Consult your local dealer.
4. **ALWAYS** disconnect the tool/machine from the power supply before servicing and when changing accessories.
5. **ALWAYS** wear safety goggles, manufactured to the latest European Safety Standards. Everyday eyeglasses do not have impact resistant lenses, they are not safety glasses.
6. **ALWAYS** keep work area clean. Cluttered areas and benches invite accidents.
7. **ALWAYS** ensure that adequate lighting is available. A minimum intensity of 300 lux should be provided. Ensure that lighting is placed so that you will not be working in your own shadow.
8. **ALWAYS** keep children away. All visitors should be kept a safe distance from the work area, especially whilst operating the machine.
9. **ALWAYS** maintain machine in top condition. Keep tools/machines clean for the best and safest performance. Follow maintenance instructions.
10. **ALWAYS** handle with extreme care do not carry the tool/machine by its' electric cable, or yank the cable to disconnect it from the power supply .
11. **ALWAYS** ensure the switch is off before plugging in to mains. Avoid accidental starting.
12. **ALWAYS** concentrate on the job in hand, no matter how trivial it may seem. Be aware that accidents are caused by carelessness due to familiarity.
13. **ALWAYS** keep your proper footing and balance at all times, don't overreach. For best footing, wear rubber soled footwear. Keep floor clear of oil, scrap wood, etc.



PARTS LIST

No.	Description	Qty	Part No.	No.	Description	Qty	Part No.
1	Bolt	4	NXCP6001	35	Support, right	2	NXCP6035
2	Washer	4	NXCP6002	36	Bolt	2	NXCP6036
3	Stowage Bracket	2	NXCP6003	37	Washer	2	NXCP6037
4	Bolt	2	NXCP6004	38	Side Cover, right	1	NXCP6038
5	Lock Washer	2	NXCP6005	39	Bolt	2	NXCP6039
6	Bolt	2	NXCP6006	40	Hand Knob	1	NXCP6040
7	Lock Washer	2	NXCP6007	41	Washer	1	NXCP6041
8	Side Plate Top	1	NXCP6008	42	Cover	1	NXCP6042
9	Bolt	2	NXCP6009	43	Stud	1	NXCP6043
10	Lock Washer	2	NXCP6010	44	Stop Pin	1	NXCP6044
11	Cover	1	NXCP6011	48	Hex. Nut	1	NXCP6048
12	Bolt	2	NXCP6012	49	Lock Ring	1	NXCP6049
13	Side Cover left	1	NXCP6013	50	Washer	1	NXCP6050
14	Screw	2	NXCP6014	51	Rear Table Top	1	NXCP6051
15	Washer	2	NXCP6015	52	Arm	1	NXCP6052
16	Hex. Nut	4	NXCP6016	53	Hand Knob	1	NXCP6053
17	Support, left	2	NXCP6017	54	Cover	1	NXCP6054
18	Rubber Foot	4	NXCP6018	55	Stud bolt	1	NXCP6055
19	Bolt	4	NXCP6019	56	Guard Bkt.	1	NXCP6056
20	Side Cover	1	NXCP6020	57	Hand Knob	1	NXCP6057
21	Lock Washer	3	NXCP6021	58	Cutter Guard	1	NXCP6058
22	Nut	3	NXCP6022	59	Washer	1	NXCP6059
23	Rod, down	1	NXCP6023	60	Bolt	1	NXCP6060
24	Rod, up	2	NXCP6024	61	Guide Fence	1	NXCP6061
25	Bolt	2	NXCP6025	62	Rod, short	1	NXCP6062
26	Lock Washer	2	NXCP6026	63	Fence Support	1	NXCP6063
27	Sleeve	4	NXCP6027	64	Bolt	1	NXCP6064
28	Pulley	1	NXCP6028	65	Bolt	1	NXCP6065
29	Bolt	1	NXCP6029	66	Hex. Nut	2	NXCP6066
30	Side Plate, left	1	NXCP6030	67	Rod, long	1	NXCP6067
31	Cutting Depth Scale	1	NXCP6031	68	Hand Knob	1	NXCP6068
32	Sliding Block	4	NXCP6032	69	Screw	1	NXCP6069
33	Lock Washer	2	NXCP6033	70	Square nut	1	NXCP6070
34	Bolt	2	NXCP6034	71	Spindle	1	NXCP6071

SPARE PARTS DIAGRAM



14. **ALWAYS** wear proper apparel. Loose clothing or jewellery may get caught in moving parts. Wear protective hair covering to contain long hair.
15. **ALWAYS** use recommended accessories, the use of improper accessories could be hazardous.
16. **ALWAYS** remove plug from electrical outlet when adjusting, changing parts, or working on the machine.
17. **NEVER** operate machine while under the influence of drugs, alcohol or any medication.
18. **NEVER** leave machine running unattended. turn power off. Do not leave the machine until it comes to a complete stop.
19. **NEVER** force the machine, it will do a better and safer job at the rate for which it was designed.
20. **NEVER** use power tools in damp or wet locations or expose them to rain. Keep your work area well illuminated.
21. **DO NOT** use in explosive atmosphere (around paint, flammable liquids etc.). Avoid dangerous environment.



ADDITIONAL PRECAUTIONS FOR PLANERS

1. **ALWAYS** ensure the cutters are properly secured in the cutter block before use.
2. **ALWAYS** ensure the cutters are sharp, blunt cutters increase the risk of kick back.
3. **ALWAYS** switch the machine OFF immediately the task is completed.
4. **ALWAYS** ensure safety devices etc., are in place and working correctly, if not **DO NOT** use the machine until they are.
5. **ALWAYS** ensure the Dust Port Extension and the Dust Bag is fitted when in use.
6. **ALWAYS** allow the machine to reach full speed before introducing workpiece.
7. **DO NOT** use the machine if the electric cable, plug or motor is in poor condition.
8. **DO NOT** allow the ventilation slots in the machine to become blocked.
9. **DO NOT** touch the cutter immediately after use, allow time for it to cool.
10. **NEVER** leave machine running unattended, **ALWAYS** ensure the machine is switched off and come to a complete stop before leaving it.
11. **NEVER** use the machine with any of the guards removed.
12. **NEVER** attempt to reverse the workpiece towards the infeed.
13. **AVOID** accidental starting, by switching off and isolating from the main electrical supply by removing the plug from the socket.
14. **REGULARLY** check to ensure the 'Anti-Kickback' fingers operate correctly.
15. **IMPORTANT!** This machine develops considerable noise, depending upon the material being planed. **ALWAYS** use ear defenders

Additionally, please keep these instructions in a safe place for future reference.

ELECTRICAL CONNECTIONS


Connect the mains lead to a domestic, 230 volt (50Hz) electrical supply through a fused good quality 13 amp BS 1363 plug, or a suitable fused isolator switch.

WARNING: THIS APPLIANCE MUST BE EARTHED

IMPORTANT: The wires in the mains lead are coloured in accordance with the following code:

Green & Yellow	-	Earth
Blue	-	Neutral
Brown	-	Live

As the colours of the conductor insulation of this appliance may not correspond with the coloured markings identifying terminals in your plug, you should proceed to connect as follows:

- The GREEN & YELLOW conductor to the terminal marked with a letter "E" or Earth symbol  or coloured GREEN or GREEN & YELLOW.
- The BROWN conductor to the terminal marked "L" or coloured RED.
- The BLUE conductor to the terminal marked "N" or coloured BLACK.

If this appliance is fitted with a plug which is moulded on to the electric cable (i.e. non-rewireable) please note:

1. The plug must be thrown away if it is cut from the electric cable. There is a danger of electric shock if it is subsequently inserted into a socket outlet.
2. Never use the plug without the fuse cover fitted.
3. Should you wish to replace a detachable fuse carrier, ensure that the correct replacement is used (as indicated by marking or colour code).



FUSE RATING

The fuse in the plug must be replaced with one of the same rating (**13 amps**) and this replacement must be ASTA approved to BS1362.

If in doubt, consult a qualified electrician. Do not attempt any electrical repairs yourself.

CABLE EXTENSION

Always use an approved cable extension suitable for the power rating of this tool (see specifications), the conductor size should also be at least the same size as that on the machine, or larger. When using a cable reel, always unwind the cable completely.

Clarke
INTERNATIONAL

2. Cutter Blade Removal

Cutter blades will require sharpening or replacing. Care should be taken at all times when handling them, as they are very sharp, even when appearing to be dull.

Blades must always be fitted as a pair, and must be of the same type, only fit blades recommended by the Clarke International.

First, ensure the machine is switched OFF and isolated from the mains supply.

1. Turn the cutter height adjuster so that it registers zero. i.e turn the knob clockwise so that the depth of cut, registered on the scale, is zero.
2. Remove the Angle Fence.
3. Raise the Cutter Guard arm.
4. Turn the cutter block to reveal the four screws securing the cutter blade.
5. Undo the 4 hex. socket head screws securing the cutter blade support and cutter blade, then carefully remove them.
6. Turn the cutter block by 180 degrees and repeat the process.

NOTE: It is recommended that sharpening is done professionally, using a jig, as blades must be sharpened as a pair to ensure they are correctly balanced. This avoids the possibility of vibration due to unbalanced cutters rotating at speed.

7. Replace in reverse order, and, using a straight edge, ensure the cutting edges are level and exactly in line with the table when they are at 12 o'clock. Tighten the securing screws taking care not to overtighten.

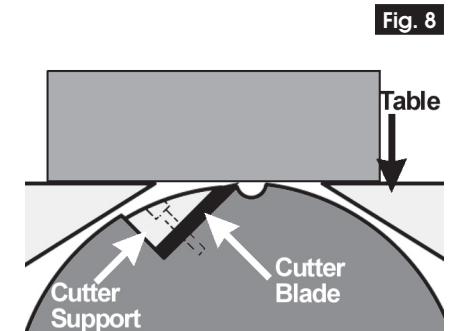


Fig. 8

Thermal Overload

This machine is provided with a Thermal Overload, so that should the motor overheat due to being overloaded - too great a cut over prolonged periods etc., then it will automatically cut out. In this event you should wait for at least 5 mins before resetting and commencing work.

The RESET button is located on the side of the ON/OFF switch block, which is accessed by removing the front cover. Simply undo and remove the three nuts, arrowed in Fig. 6, pull off the cover and press the RESET button (shown in Fig.7).

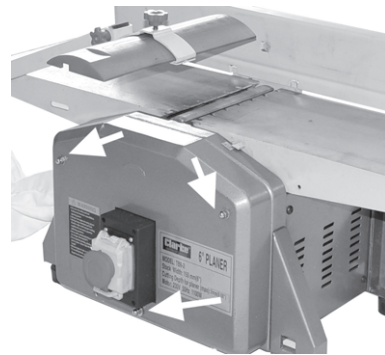


Fig. 6

MAINTENANCE

Always disconnect the machine from the mains supply before cleaning or performing maintenance tasks.

This product is designed to operate with minimum of maintenance, however, as with all power tools, cleanliness is essential in ensuring work is carried out to a satisfactory standard. Always keep the table free of shavings/dust etc., and clean the machine thoroughly after use. Use a low pressure air supply to blow dust from air vents and other parts wherever possible.

Apply a thin film of wax to the table periodically. This will help keep the table clean and allow workpieces to slide more easily.

Do not use solvents to clean the machine as this could damage plastic components.

1. Drive Belt Replacement

Should the Drive Belts need replacing (replacements are available from your clarke dealer), you should proceed as follows:

Remove the front cover, by undoing and removing the three nuts, arrowed in Fig. 6, then pull off the cover.

Cut off the faulty belt, or pull off whilst rotating the lower pulley by hand, taking great care to avoid trapping your fingers between belt and pulley.

Locate the replacement belt on the lower pulley - A, then stretch the belt over the top pulley as far as possible. Rotate the bottom pulley by hand whilst applying pressure on the belt at the top pulley until the belt sits snugly on both pulleys.

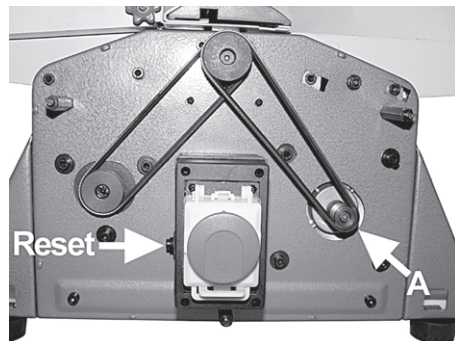


Fig. 7

UNPACKING and PARTS IDENTIFICATION

Carefully unpack the components and lay them out, checking against the following list. Should any part be missing or damaged in transit, please contact your Clarke dealer immediately.

- A - Planer
- B - Fence complete
- C - Dust Collection Bag
- D - Hose Clip
- E - 4mm Hex. Wrench
- F - 5mm Flat Washer
- G - 5mm Lock Washer
- H - M5x15 Hex. Socket Head Bolt
- J - Pushstick

Not Shown - Dust Extraction Port Extension



Fig. 1

ASSEMBLY and INSTALLATION

Ensure the planer is located where there is adequate light, and a suitable power supply. If cable extension is used, ensure it does not trail along the workshop floor as this could be extremely hazardous.

There must be sufficient room for the workpiece to move through its entire length.

Similarly, there must be sufficient room so that the operator does NOT need to stand in line with the wood during the planing process.

The planer may be used as a mobile unit, but for greater stability we recommend it is bolted to a strong, firm workbench. The dimensions for the mounting holes are shown below:

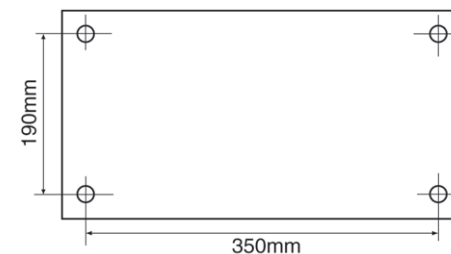


Fig. 2

Alternatively, mount the planer on a strong piece of plywood of at least 15mm in thickness, with length 550mm and width 330mm minimum. The plywood platform, with planer mounted, is then clamped firmly to a workbench when required.

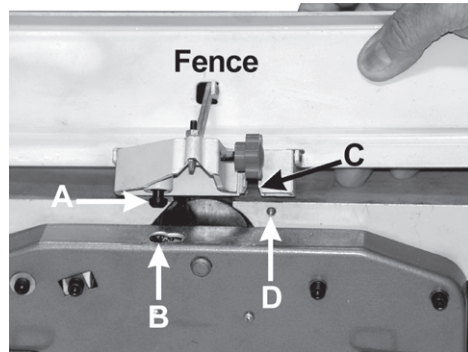
1. Attaching the Angle Fence

Fig. 3

The peg - 'A' locates in the slotted hole - 'B'. It may be necessary to screw the peg down a little in order for the peg to locate properly.

The Hex. socket head screw with washers (in the bag of loose parts), is used to secure the fence to the table, through slot 'C', into threaded hole 'D'.

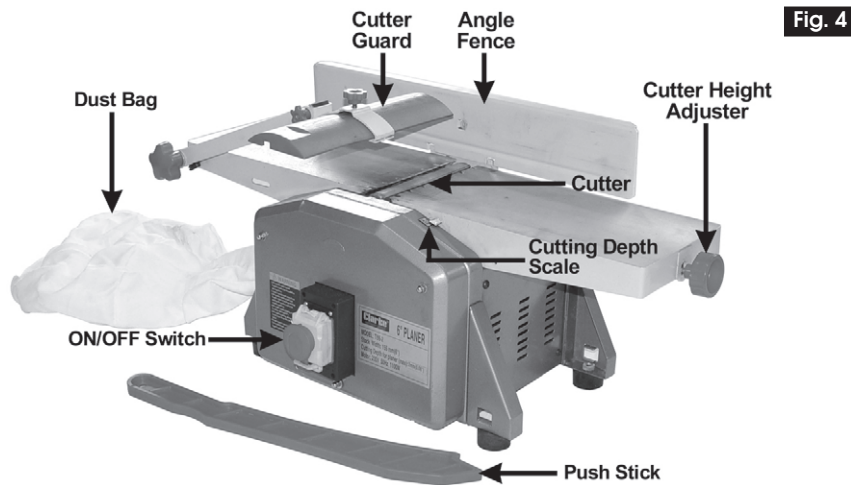
The fence may be set and locked at any angle. Use a template or angle gauge



2. Attach the Dust Collection Bag

Attach the Dust Port Extension to the Dust Port, then simply attach the dust bag to the extension using the hose clip provided.

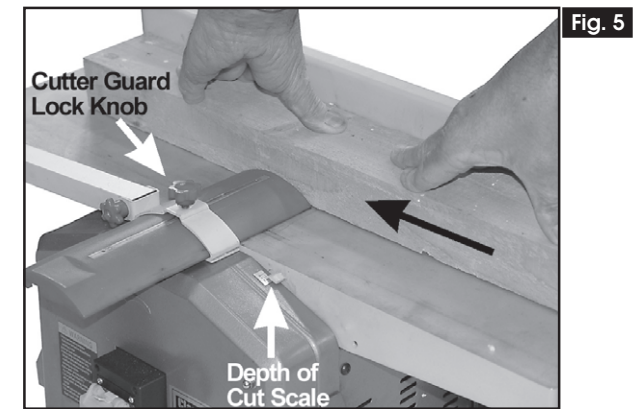
OPERATION



IMPORTANT
The workpiece **MUST** be free of nails, staples, screws etc.
Inspect thoroughly beforehand

1. Set the depth of cut, using the Height Adjuster - turn anticlockwise to increase the cutting depth, clockwise to decrease, using the scale, indicated in Fig. 4, as a reference. For the initial cut, we recommend a depth of cut of no more than 1mm.

2. Ensure the fence is at the correct angle - for normal planing, this would be 90 degrees. For other angles, use a template or angle gauge for greater accuracy.
3. Slide the cutter guard out of the way and place the workpiece on the table so that it rests snugly against the fence, with the lead edge a short distance from the cutter, noting that direction of feed is right to left, looking from the front of the machine.
4. Slide the cutter guard up to lightly touch the workpiece as shown in Fig.5, thereby completely covering any exposed cutter. Ensure the guard is as low as possible.
5. Raise the cover of the ON/OFF switch and press the green ON button, marked 'I', and allow the machine to come up to full speed.
6. Applying firm downward pressure, and keeping the workpiece against the fence, proceed to feed the work over the cutter. Do not feed too quickly



IMPORTANT.
When coming to the end of a piece, **ALWAYS** use the push stick to finish
This is an important safety point.

7. To switch OFF, simply press the red button marked 'O' and close the cover, ensuring it is properly latched.

When finished, remove all shavings and sawdust from the machine and surrounding area and dispose of safely - accumulation of dust and shavings is a fire hazard and should not be allowed to build up.

NOTES :

1. In case of emergency, hit the switch cover firmly and quickly. The cover will latch down and motor will be switched OFF.
2. The ON/OFF switch is a "No Volts Release" type, so that in the event of a power failure, the machine will not restart automatically once the power is restored.
3. When machining long pieces, ensure it is supported as it exits the machine.
4. **Always** use a push stick when machining short or narrow workpieces.