

A SELECTION FROM THE VAST RANGE OF

ClarkeTM

QUALITY PRODUCTS

AIR COMPRESSORS

From DIY to industrial. Plus air tools, spray guns and accessories.

GENERATORS

Prime duty or emergency standby for business, home and leisure.

POWER WASHERS

Hot and cold, electric and engine driven - we have what you need.

WELDERS

Mig, Arc, Tig and Spot. From DIY to auto/industrial.

METALWORKING

Drills, grinders and saws for DIY and professional use.

WOODWORKING

Saws, sanders, lathes, mortisers and dust extraction.

HYDRAULICS

Cranes, body repair kits, transmission jacks for all types of workshop use.

WATER PUMPS

Submersible, electric and engine driven for DIY, agriculture and industry.

POWER TOOLS

Angle grinders, cordless drill sets, saws and sanders.

STARTER/CHARGERS

All sizes for car & commercial use.



Clarke[®]

CONTRACTOR[®]



800W JIGSAW WITH LASER

MODEL No. CON800

Part No. 6462033

Clarke[®] INTERNATIONAL

For spare parts and servicing, please contact your nearest dealer, or Clarke International on

020 - 8988 - 7400

e-mail: Parts@clarkeinternational.com e-mail: Service@clarkeinternational.com

OPERATING & MAINTENANCE INSTRUCTIONS



DECLARATION OF CONFORMITY

DECLARATION OF CONFORMITY

We declare that this product complies to the following standards/directives:

■ 98/37/EC

Product Description: Jigsaw

Model No: CON800

Date 09 - August - 2007

Signed:



Engineering Manager



When disposing of this product, ensure it is disposed of according to all local ordinances. It must not be disposed of with general household waste.

PARTS LIST

Item	Part Number	Description	Qty	Available as a Spare part	Item	Part Number	Description	Qty	Available as a Spare part
1	KP500200	Tapping Screw	7	No	28	KP100040	Rotor	1	No
2	KP300037	Left Enclosure	1	No	29	KP314500	Brush Holder	2	Yes
3	KP501507	Adjusting Screw	2	No	30	KP162400	Carbon Brush	2	Yes
4	KP224339	Connecting Plate	1	No	31	KP222800	Brush Bushing	2	No
5	KP145002	Base Plate	1	No	32	KP520012	Bearing	1	No
6	KP204003	Metal Pendulum Switch	1	No	33	KP110040	Stator	1	Yes
7	KP241512	Roller Spring	1	No	34	KP322002	Cord Sleeve	1	No
8	KP215023	Saw Holder Pin	1	No	35	KP160200	AC - Cord & Plug	1	Yes
9	KP223713	Rolling Metal Guide	1	No	36	KP315810	Dust Connection	1	No
10	KP215022	Roller Pin	1	No	37	KP320009	O Ring	1	No
11	KP215502	Support Roller	1	No	38	KP224200	Strain Relief	1	No
12	KP511004	Circlip	2	No	39	KP500201	Tapping Screw	2	No
13	KP203008	Holder For Saw Arm	1	No	40	KP321000	Rubber Pin	2	No
14	KP241510	Spring	1	No	41	KP224376	Square Nut	1	No
15	KP501506	Socket Head Screw	2	No	42	KP242530	Protecting Wire	1	No
16	KP236500	Saw Holder	1	Yes	43	KP163201	Laser Head	1	Yes
17	KP143612	Saw Arm	1	No	44	KP312080	Laser Facility	1	No
18	KP203009	Holder For Saw Arm	1	No	45	KP500802	Screw	2	No
19	KP204002	Roller	1	No	46	KP163616	Laser Head Button	1	Yes
20	KP511000	Fixing Ring	1	No	47	KP502001	Square Nut	2	No
21	KP503000	Washer	1	No	48	KP152538	Pendulum Switch Knob	1	Yes
22	KP522000	Needle Roller Bearing	1	No	49	KP300037	Right Enclosure	1	No
23	KP144004	Big Gearing	1	No	50	KP162810	PCB	1	No
24	KP203007	Balance Block	1	No	51	KP163300	Transformer	1	No
25	KP224359	Lifting Knife Plate	1	No	52	KP163650	Switch	1	Yes
26	KP147502	Bearing Holder	1	No	53	KP162823	PCB	1	No
27	KP520013	Bearing	1	No	54	KP161500	Capacitor	1	No

PARTS & SERVICE

For Spare Parts and Service, please contact your nearest dealer, or CLARKE International, on one of the following numbers.

PARTS & SERVICE TEL: 020 8988 7400

or e-mail as follows:

PARTS: parts@clarkeinternational.com

SERVICE: service@clarkeinternational.com

Thank you for purchasing this CLARKE 800W Jigsaw with Laser.

Before attempting to use the Jigsaw, please read this manual thoroughly and follow the instructions carefully. In doing so you will ensure the safety of yourself and that of others around you, and you can look forward to the Jigsaw giving you long and satisfactory service.

GUARANTEE

This product is guaranteed against faulty manufacture for a period of 12 months from the date of purchase. Please keep your receipt which will be required as proof of purchase.

This guarantee is invalid if the product is found to have been abused or tampered with in any way, or not used for the purpose for which it was intended.

Faulty goods should be returned to their place of purchase, no product can be returned to us without prior permission.

This guarantee does not effect your statutory rights.

FEATURES

- Variable speed jigsaw
- Lock on button
- 3 stage pendulum action
- Dust extraction facility
- Parallel fence guide
- On board hexagon key

SPECIFICATIONS

Model number CON800

Rated voltage 230V AC 50Hz

Input power 800 Watts

No load variable speed 800 - 3000 strokes per minute

Pendulum action 3 stage

Cutting capacities 10 mm in steel

..... 80 mm in wood

Dust port diameter Internal 31mm, External 38mm

Sound pressure level L_{PA} 94.5 dB (A)

Sound power level L_{WA} 105.5 dB (A)

Vibration level < 2.5m/s

Please note that the details and specifications contained herein, are correct at the time of going to print. However, CLARKE International reserve the right to change specifications at any time without prior notice.

GENERAL SAFETY PRECAUTIONS



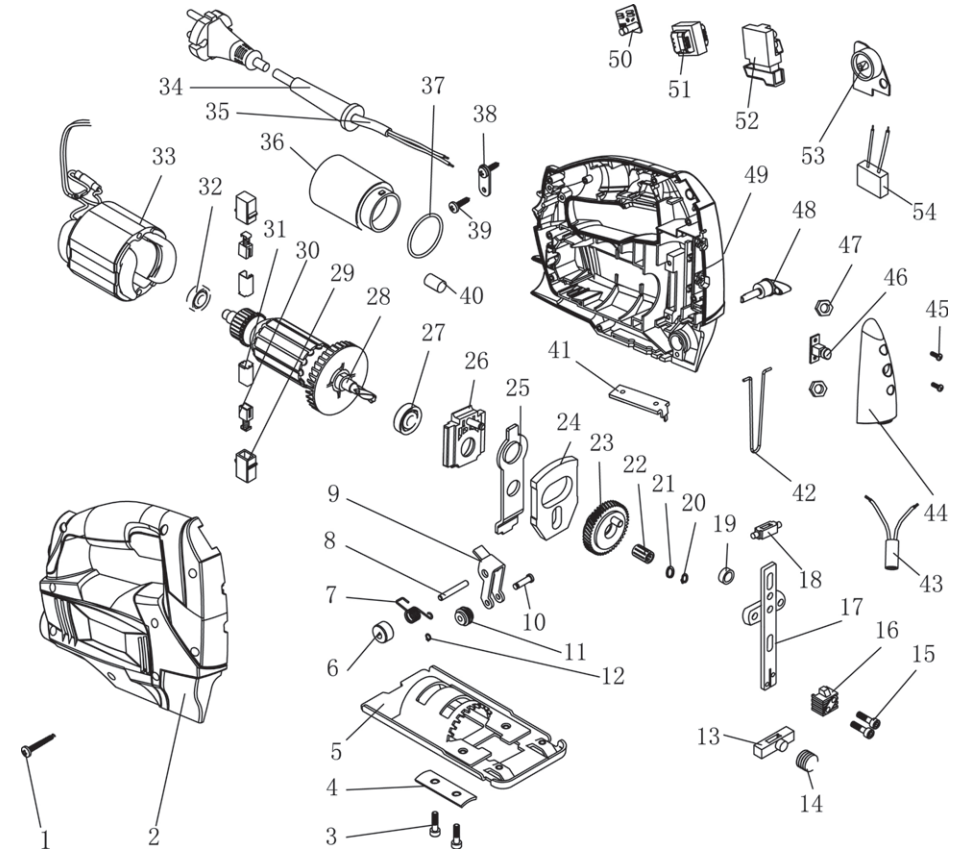
WARNING:

As with all machinery, there are certain hazards involved with their operation and use. Exercising respect and caution will considerably lessen the risk of personal injury. However, if normal safety precautions are overlooked or ignored, personal injury to the operator or damage to property, may result.

1. **ALWAYS** Learn the machines' applications, limitations and the specific potential hazards peculiar to it. Read and become familiar with the entire operating manual.
2. **ALWAYS** use a face or dust mask if operation is particularly dusty.
3. **ALWAYS** check for damage. Before using the machine, any damaged part, should be checked to ensure that it will operate properly, and perform its intended function. Check for alignment of moving parts, breakage of parts, mountings, and any other condition that may affect the machines' operation. Any damage should be properly repaired or the part replaced. If in doubt, **DO NOT** use the machine. Consult your local dealer.
4. **ALWAYS** disconnect the tool/machine from the power supply before servicing and when changing accessories.
5. **ALWAYS** wear safety goggles, manufactured to the latest European Safety Standards. Everyday eyeglasses do not have impact resistant lenses, they are not safety glasses.
6. **ALWAYS** keep work area clean. Cluttered areas and benches invite accidents.
7. **ALWAYS** ensure that adequate lighting is available. A minimum intensity of 300 lux should be provided. Ensure that lighting is positioned that you will not be working in your own shadow.
8. **ALWAYS** keep children away. All visitors should be kept a safe distance from the work area, especially whilst operating the machine.
9. **ALWAYS** maintain machine in top condition. Keep tools/machines clean for the best and safest performance. Follow maintenance instructions.
10. **ALWAYS** handle with extreme care do not carry the tool/machine by its' electric cable, or yank the cable to disconnect it from the power supply.
11. **ALWAYS** ensure the switch is off before plugging in to mains. Avoid accidental starting.
12. **ALWAYS** concentrate on the job in hand, no matter how trivial it may seem. Be aware that accidents are caused by carelessness due to familiarity.
13. **ALWAYS** keep your proper footing and balance at all times don't overreach. For best footing, wear rubber soled footwear. Keep floor clear of oil, scrap wood, etc.
14. **ALWAYS** wear proper apparel. Loose clothing or jewellery may get caught in moving parts. Wear protective hair covering to contain long hair.
15. **ALWAYS** use recommended accessories. The use of improper accessories could be hazardous.



PARTS DIAGRAM



MAINTENANCE



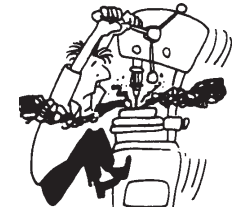
WARNING!

Before performing any maintenance tasks make sure that the mains plug has been removed from the mains supply.

- After use, clean all dust and wood chippings from the jigsaw.
- Clean all of the ventilation slots on the motor housing.
- Make sure that the base plate is free from dirt and grease.
- The blade locating clip and support roller should be kept clean and lightly oiled at regular intervals.
- Keep the handle clean and free from oil and grease.
- Resin and glue on the blade causes poor cutting results. Clean the blade after use.
- Refer to your CLARKE dealer if internal maintenance is required.

GENERAL SAFETY PRECAUTIONS

16. **ALWAYS** remove plug from electrical outlet when adjusting, changing parts, or working on the machine.
17. **NEVER** operate machine while under the influence of drugs, alcohol or medication.
18. **NEVER** leave machine running unattended. Turn power off. Do not leave the machine until it comes to a complete stop.
19. **NEVER** force the machine. It will do a better and safer job at the rate for which it was designed.
20. **NEVER** use power tools in damp or wet locations or expose them to rain. Keep your work area well illuminated. Do not use in explosive atmosphere (around paint fumes, flammable liquids etc.). Avoid dangerous environments.



WARNING:

The laser guide fitted to this product is a Class 2 laser. There are no user serviceable parts in the laser.

ADDITIONAL PRECAUTIONS FOR JIGSAWS

1. **ALWAYS** wear ear protectors/defenders as the noise level of this machine can exceed 85dB (A).
2. **ALWAYS** use the appropriate saw blade for the material being cut.
3. **ALWAYS** keep the mains cable well away from the machine and ensure an adequate electrical supply is close at hand so that the operation is not restricted by the length of the cable.
4. **ALWAYS** switch the machine OFF immediately the task is completed.
5. **ALWAYS** ensure the blade is fully tightened before use.
6. **ALWAYS** allow sufficient clearance beneath the work to ensure the blade does not come into contact with the floor, table etc.
7. **NEVER** allow the ventilation slots in the machine to become blocked.
8. **DO NOT** cut hollow pipe and do not cut material above the specified thickness.
9. **DO NOT** cut through walls or cavities before checking for hidden electrical wires or water pipes etc.
10. **DO NOT** remove tool from work until the blade has completely stopped.
11. **DO NOT** touch the blade immediately after use, allow time for it to cool.
12. **DO NOT** cut work less than at least twice the pitch of the saw blade. i.e. at least two teeth must be in contact with the work at all times.
13. **DO NOT** use the machine if the electric cable, plug or motor is in poor condition.
14. When cutting wood, ensure all nails have been removed beforehand. Nails will damage the wood saw blade.
15. When cutting metals, always use a cooling agent i.e. cutting/soluble oil.
16. Replacement blades for wood, plastic and steel are available from your CLARKE dealer. (see Parts List, for details)

Additionally, please keep these instructions in a safe place for future reference.

ELECTRICAL CONNECTIONS



This product is provided with a standard 13 amp, 230 volt (50Hz), BS 1363 plug, for connection to a standard, domestic electrical supply. Should the plug need changing at any time, ensure that a plug of identical specification is used.



This appliance is double insulated, and the two wires in the mains lead should be wired in accordance with the following colour code:

BLUE - **NEUTRAL**
BROWN - **LIVE**

- Connect the BLUE coloured wire to the plug terminal marked with a letter "N"
- Connect the BROWN coloured wire to the plug terminal marked with a letter "L"

If this appliance is fitted with a plug which is moulded on to the electric cable (i.e. non-rewireable) please note:

1. The plug must be thrown away if it is cut from the electric cable. There is a danger of electric shock if it is subsequently inserted into a socket outlet.
2. Never use the plug without the fuse cover fitted.
3. Should you wish to replace a detachable fuse carrier, ensure that the correct replacement is used (as indicated by marking or colour code).
4. Replacement fuse covers can be obtained from your local Clarke dealer or most electrical stockists.

FUSE RATING

The fuse in the plug must be replaced with one of the same rating (**5 amps**) and this replacement must be ASTA approved to BS1362.

If in doubt, consult a qualified electrician. Do not attempt any electrical repairs yourself.

CABLE EXTENSION

Always use an approved cable extension suitable for the power rating of this tool (see specifications), the conductor size should also be at least the same size as that on the machine, or larger. When using a cable reel, always unwind the cable completely. If using tool outdoors, only use extension cables intended for outdoor use.

OPERATION

JIGSAW TIPS

- Ensure your cutting line is free from nails before you start cutting.
- If you are **not** making a cut all the way through the workpiece, allow the blade to come to a complete stop before removing it from the workpiece

Wood

- Use a pencil to draw a cutting line on the wood.
- Select the correct speed and pendulum setting for the wood being cut.
- Allow the jigsaw to reach full speed before applying it to the wood.

Metal

- Use blades designed for cutting metal.
- Take your time, do not force the blade, it will take longer to cut metal than wood.
- If possible clamp the workpiece to a backing sheet of plywood.
- Spread a thin film of oil along the cutting line.
- Allow the jigsaw to reach full speed before applying it to the metal.
- Do not attempt to cut hollow pipes.

REPLACEMENT BLADES

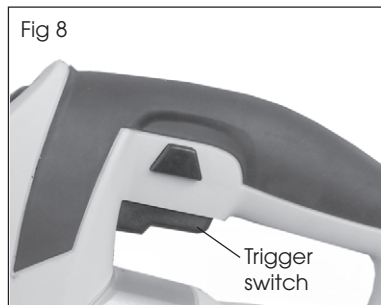
Replacement blades are available from your CLARKE dealer. Please quote the following part numbers:

Type	Part Number
Metal cutting jigsaw blades (10pk)	6462085
Wood cutting jigsaw blades (10pk)	6462087
Plastic cutting jigsaw blades (10pk)	6462089

OPERATION

ON/OFF SWITCH

1. Squeeze the trigger switch.
The jigsaw will run at the level selected with the variable speed selector.
2. To switch off the jigsaw, release the trigger switch. When the blade has stopped remove it from the workpiece

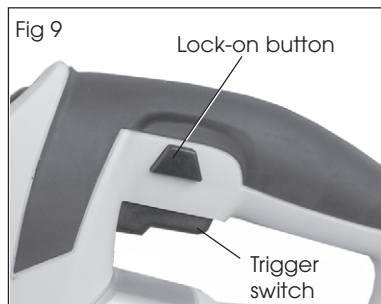


WARNING!

The blade will continue to run for a short period after the trigger has been release. Wait until it stops before removing it from the workpiece.

For continuous operation,

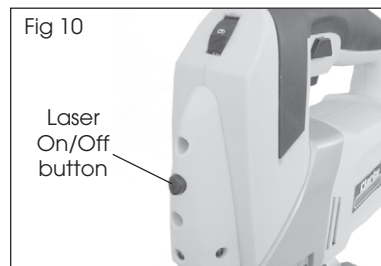
1. Squeeze and hold the trigger switch.
2. Press the lock-on button and release the trigger switch.
3. To release the lock-on button, squeeze the trigger switch and then release the trigger switch



LASER GUIDE

The laser guide is designed to help you keep the blade aligned with the cutting line.

1. The laser guide is operated by pressing the Laser on/off button.
 - DO NOT allow children or untrained personnel to use this product or the laser guide. It is not a toy!
 - DO NOT aim the laser beam at people.
 - KEEP the laser beam below eye level where practical.
 - This product uses a Class 2 laser. There are no user serviceable parts.



BEFORE USE

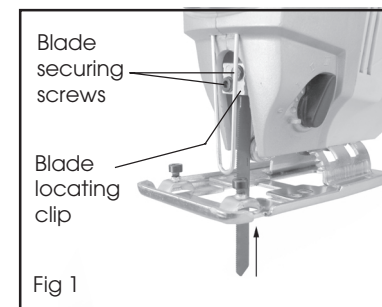
FITTING THE JIGSAW BLADE



WARNING!

Before removing, or installing a jigsaw blade, make sure that the mains plug has been removed from the mains supply.

1. Loosen the two blade securing screws, using the hexagonal key provided.
2. With the blade teeth facing forwards, push the blade shank into the blade locating clip as far as possible.
3. Slightly tighten the two blade securing screws alternately, to position the blade.
4. Ensure that the blade is straight and resting on the blade support roller.
5. Fully tighten the two blade securing screws.

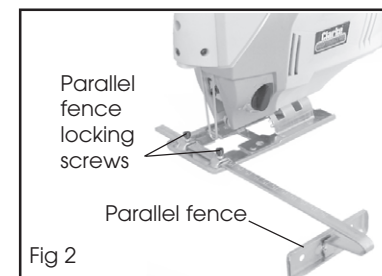


FITTING THE PARALLEL FENCE

The parallel fence allows you to cut in a straight line, parallel to the edge of the workpiece.

To fit and adjust the parallel fence:

1. Loosen the parallel fence locking screws.
2. Push the parallel fence through the locating slots on the base plate.
3. Set the width required and tighten the locking screws.
4. When cutting, ensure that the parallel fence is resting against the edge of the workpiece.



NOTE:

The parallel fence can be fitted to either side of the base plate.

BEFORE USE

ADJUSTING THE CUTTING ANGLE



WARNING!

Before adjusting the cutting angle, make sure that the mains plug has been removed from the mains supply.

1. Loosen the base plate screws using the hexagonal key provided. See Fig 3
2. Tilt the base to the required angle.
3. There is a calibration plate on the base plate to assist you in selecting the correct angle. See Fig 4.
4. Re-tighten the base plate screws to secure the base plate.

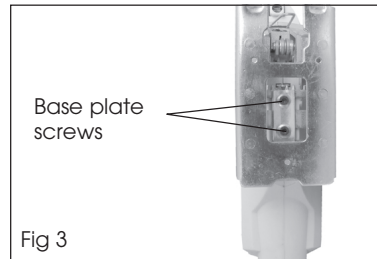


Fig 3

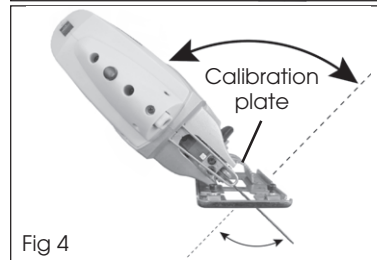


Fig 4

You should double check the angle using a protractor before use.

DUST EXTRACTION PORT ADAPTOR

This jigsaw has a dust extraction port to enable you to connect it to a vacuum cleaner. This will minimise the amount of airborne dust generated during cutting.

To fit the dust extraction port adaptor:

1. Push the dust extraction port adaptor into the dust extraction port.
2. Twist clockwise to secure into position.



Fig 5



WARNING!

If the cutting operation is dusty, we recommend that you use a dust mask.

OPERATING

PENDULUM ACTION

When the pendulum action is selected, the blade achieves maximum penetration on the upward cutting stroke and is lifted back, away from the material, on the downward non-cutting stroke. This gives improved quality of cut, and longer blade life.

To set the pendulum action, rotate the pendulum action switch to the desired setting.

The table below can be used to select the correct settings. *This is only a recommendation, you should always make a test cut on a scrap piece of material first.*

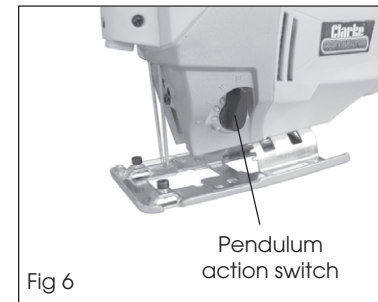


Fig 6

Pendulum Setting	Wood	Metal	Plastic
3	Fast cuts		PVC
2	Thick Wood		Fibreglass Acrylic
1	Plywood Chipboard	Aluminium Non-ferrous	
0	Thin Wood Fine Cuts	Sheet metal	

VARIABLE SPEED SELECTOR

The variable speed selector is used to control the speed of the jigsaw.

- The higher the number selected the faster the stroke rate of the blade.
- The stroke rate should be changed according to the material being cut. *This is only a recommendation, you should always make a test cut on a scrap piece of material first.*

MATERIAL	RECOMMENDED SPEED SETTING
Wood	5-6
Metal	2-3
Aluminium	3-5
PVC	3-4

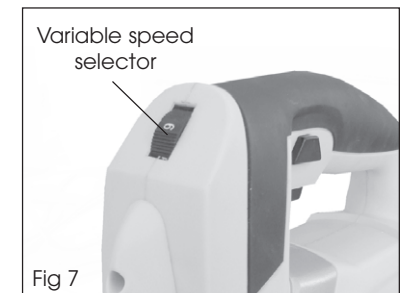


Fig 7