

CLARKE[®]

CONTRACTOR[®]



JIGSAW

Model No. CON750

PART NO: 6462180

OPERATING & MAINTENANCE INSTRUCTIONS



INTRODUCTION

Thank you for purchasing this CLARKE Jigsaw.

Before attempting to use the machine, please read this manual thoroughly and follow the instructions carefully. In doing so you will ensure the safety of yourself and that of others around you, and you can look forward to your purchase giving you long and satisfactory service.

GUARANTEE

This product is guaranteed against faulty manufacture for a period of 12 months from the date of purchase. Please keep your receipt which will be required as proof of purchase.

This guarantee is invalid if the product is found to have been abused or tampered with in any way, or not used for the purpose for which it was intended.

Faulty goods should be returned to their place of purchase, no product can be returned to us without prior permission.

This guarantee does not effect your statutory rights.

ENVIRONMENTAL PROTECTION



Do not dispose of this product with general household waste. It must be disposed of according to the laws governing Waste Electrical and Electronic Equipment at a recognised disposal facility.

TABLE OF CONTENTS

INTRODUCTION	2
GUARANTEE	2
ENVIRONMENTAL PROTECTION	2
TABLE OF CONTENTS	3
SPARE PARTS	3
GENERAL SAFETY RULES	4
JIGSAW SAFETY INSTRUCTIONS	6
ELECTRICAL CONNECTIONS	7
OVERVIEW	8
INSTALLING/CHANGING BLADES	9
OPERATION	9
MAINTENANCE	11
FAULT FINDING	12
SPECIFICATION	13
COMPONENT PARTS	14
CONSUMABLE SPARE PARTS	16
VIBRATION EMISSIONS	17
DECLARATION OF CONFORMITY	19

GENERAL SAFETY RULES

WORK AREA

1. **Keep the work area clean and well lit.** Cluttered and dark areas invite accidents.
2. **Do not operate power tools in explosive atmospheres such as in the presence of flammable liquids, gasses or dust.** Power tools create sparks which may ignite dust or fumes.
3. **Keep children and bystanders away while operating a power tool.** Distractions can cause you to lose control.

ELECTRICAL SAFETY

1. **Power tools must match the power outlet. Never modify the plug in any way. Do not use adaptor plugs with earthed (grounded) power tools.** Correct plugs and outlets will reduce the risk of electric shock.
2. **Do not expose power tools to rain or wet conditions.** Any water entering power tools will increase the risk of electric shock.
3. **Do not abuse the electrical cable. Never use the cord for pulling or unplugging the power tool. Keep the cable away from sources of heat, oil, sharp edges or moving parts.** Damaged or tangled cables increase the risk of electric shock.
4. **When operating a power tool outdoors, use an extension cable suitable for outdoor use.** Using the correct cable reduces the risk of electric shock.

PERSONAL SAFETY

1. **Stay alert, watch what you are doing and use common sense when you are operating a power tool.** Do not operate a power tool when you are tired, ill or under the influence of alcohol, drugs or medication.
2. **Wear personal protective equipment including eye protection.** Safety equipment such as a dust mask, non-skid shoes or hearing protection used for appropriate conditions will reduce personal injuries. Use a face or dust mask if operation is particularly dusty. Wear ear protectors/defenders as the noise level of this machine can exceed 85dB (A).
3. **Do not over-reach.** Keep your proper footing and balance at all times. This enables better control of the power tool in unexpected situations.
4. **Avoid accidental starting of the machine.** Ensure the switch is in the off position and the locking button disengaged before plugging the machine in to the power supply. Carrying power tools around with your finger on the trigger or plugging in power tools that are switched on invites accidents.

5. **Dress properly.** Do not wear loose clothing or jewellery which may get caught in moving parts. Wear protective hair covering to contain long hair. For best footing, wear rubber soled footwear. Keep floor clear of oil, scrap wood, etc.
6. Concentrate on the job in hand, no matter how trivial it may seem. Be aware that accidents are caused by carelessness due to familiarity.
7. Switch the machine OFF immediately after the task is completed.

POWER TOOL USE AND CARE

1. **Do not force the machine.** Use the correct power tool for your application. It will do a better and safer job at the rate for which it was designed.
2. **Do not use the power tool if the switch does not turn it on and off.** Any power tool that cannot be controlled with the switch is dangerous and must be repaired.
3. **Always disconnect the power tool from the power supply before making any adjustments, changing blades or accessories, or storing the tool.** These measures will reduce the risk of the power tool starting accidentally.
4. **Store power tools out of the reach of children and do not allow persons unfamiliar with these instructions to operate the power tool.** Power tools are potentially dangerous in the hands of untrained users.
5. **Maintain power tools in top condition.** Keep tools/ machines clean for the best and safest performance. Check for misalignment or binding of moving parts, broken parts, or any condition that may affect the power tool's operation. If damaged, have the power tool repaired before use. Many accidents are caused by poorly maintained power tools.
6. **Use recommended accessories.** The use of improper accessories could be hazardous.
7. **Machine cleanliness.** Do not allow the ventilation slots in the machine to become blocked with dust.
8. **Check the power tool for damage before using the machine.** Any damaged part should be inspected to ensure that it will operate properly and perform its intended function. Check for alignment of moving parts, breakage of parts, mountings, and any other condition that may affect the machine's operation. Any damage should be properly repaired or the part replaced. If in doubt, **DO NOT** use the machine. Consult your local dealer.

SERVICE

1. **When necessary, have your power tools serviced or repaired by a qualified person using identical replacement parts.** This will ensure that the safety of the power tool is maintained.

JIGSAW SAFETY INSTRUCTIONS

1. Only use the jigsaw in the manner and for the functions described in these instructions.
2. **Using the correct blade.** Use the appropriate saw blade for the material being cut. Different blades are available from your Clarke dealer.
3. **Use of the mains cable.** Keep the mains cable well away from the machine and ensure an adequate electrical supply is close at hand so that the operation is not restricted by the length of the cable.
4. **Working on the bench.** Allow sufficient clearance beneath the work to ensure the blade does not come into contact with the floor, table etc.
5. **Switching off.** Never place the saw on a table or bench if it has not completely stopped. The saw blade will continue to reciprocate for a short time after the trigger has been released to stop the saw.
6. **Cutting of pipes.** Do not cut hollow pipe and do not cut material above the specified thickness.
7. **Cutting into walls.** Do not cut through walls or cavities before checking for hidden electrical wires or water pipes etc.
8. **Finishing cutting.** Do not remove tool from work until the blade has completely stopped. Do not touch the blade immediately after use, allow time for it to cool.
9. **Use outdoor extension leads.** If working outdoors, always use an approved cable extension suitable for the power rating of this tool (see specifications), the conductor size should also be at least the same size as that on the machine, or larger. When using a cable reel, always unwind the cable completely. We strongly recommend that this machine is connected to the mains supply via a Residual Current Device (RCD).
10. **Cutting sheet materials.** Do not cut work less than at least twice the pitch of the saw blade. i.e. at least two teeth must be in contact with the work at all times.
11. **Always hold the saw by its insulated handle.** The saws metal parts may become conductive if the blade should come into contact with the mains cable.
12. **Beware of foreign objects.** When cutting pre-used wood, ensure all nails have been removed beforehand. Nails will damage the wood saw blade.
13. **Cooling agents.** When cutting metals, always use a cooling agent i.e. cutting/soluble oil.
14. **Changing the blade.** Be careful during adjustment of the machine to prevent trapping the fingers between a moving blade and fixed parts of the machine. Ensure the blade is fully tightened before use.

Please keep these instructions in a safe place for future reference.

ELECTRICAL CONNECTIONS



WARNING! Read these electrical safety instructions thoroughly before connecting the product to the mains supply.

Before switching the product on, make sure that the voltage of your electricity supply is the same as that indicated on the rating plate. This product is designed to operate on 230VAC 50Hz. Do not connect it to any other power source.

This product may be fitted with a non-rewireable plug. If it is necessary to change the fuse in the plug, the fuse cover must be refitted. If the fuse cover becomes lost or damaged, the plug must not be used until a suitable replacement is obtained.

If the plug has to be changed because it is not suitable for your socket, or due to damage, it should be cut off and a replacement fitted, following the wiring instructions shown below. The old plug must be disposed of safely, as insertion into a mains socket could cause an electrical hazard.



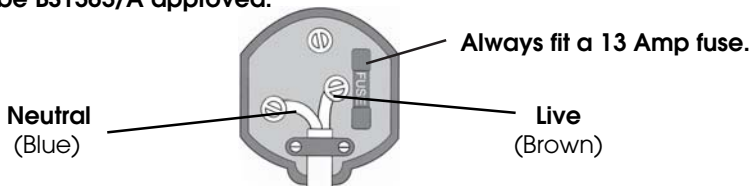
WARNING! The wires in the power cable of this product are coloured in accordance with the following code:

Blue = Neutral Brown = Live

If the colours of the wires in the power cable of this product do not correspond with the terminal markings of your plug, proceed as follows.

- **The wire which is coloured Blue must be connected to the terminal which is marked N or coloured Black.**
- **The wire which is coloured Brown must be connected to the terminal which is marked L or coloured Red.**

Plug must be BS1363/A approved.



Ensure that the outer sheath of the cable is firmly held by the clamp

We strongly recommend that this product is connected to the mains supply via a Residual Current Device (RCD).

If in doubt, consult a qualified electrician. DO NOT attempt repairs yourself.



This symbol indicates that this is a Class II product and does not require an earth connection.

OVERVIEW

The CLARKE CON750 is a 750W variable-speed jigsaw fitted with a lock-on button for continuous operation. It is fitted with a dust extract port for connection to a vacuum system and is supplied with 1.8 metres of cable with plug. The jigsaw is equipped with a T-shank SDS type quick-release blade retention system for convenient replacement of saw blades.

When unpacking, check for damage or shortages etc. Any found should be reported to your CLARKE dealer where the appliance was originally purchased. This CON750 Jigsaw is supplied with the following components:

- 1 x Jigsaw
- 1 x Wood Cutting Blade
- 1 x Dust Extract Connector
- 1 x 3mm Hex Key
- 1 x Parallel Fence
- 1 x Instruction Manual (this document)



INSTALLING/CHANGING BLADES

1. Use only jigsaw blades with the correct T-shank.
 2. With the jigsaw disconnected from the power supply, raise the blade guard and press the blade retainer to the right hand side.
 3. Select the appropriate blade for the job in hand, and insert it into the blade holder as far as it will go, with the teeth facing forwards.
 4. Release the blade retainer, ensuring that the blade remains as far into the retainer as it will go, pressing against the resistance of the internal spring.
 5. Pull the blade to check that it is secure before restoring the power supply.
- Take care never to use cracked, blunt or damaged blades.



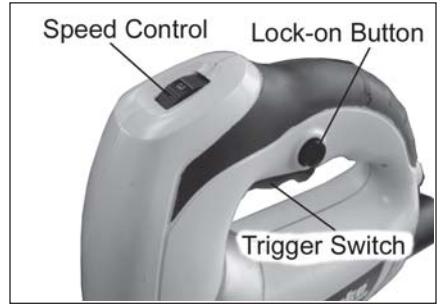
OPERATION

IMPORTANT: DO NOT plug in to the mains, unless you have ensured the jigsaw is switched OFF. To do this, squeeze the trigger fully upwards, then release it.

The trigger is located under the grip.

1. Ensure that the workpiece being cut is securely held in place and that the cut line is clearly marked.
2. Connect the vacuum extractor port to an extract system wherever possible.
 - The jigsaw is provided with a dust extract facility, where a vacuum extractor may be connected to the rear of the machine. Please note however, that this does not preclude the user from wearing a face mask to prevent the inhalation of dust particles.
3. Place the sole-plate on the workpiece taking care that the blade is vertical and correctly positioned in relation to the cut line without touching it. Push the clear plastic blade guard down fully.
4. Ensure the blade is not striking on anything below the workpiece and that the power cable is well away from the moving blade before starting the saw.
 - If cutting out an aperture, it will be necessary to drill a suitably sized hole in the workpiece for use as a starting point.
 - Note that the blade should emerge from the workpiece at every point of the cut.

5. To start the jigsaw, squeeze the trigger. Wait until the blade is running at speed before attempting to cut the workpiece.
6. Maintain the saw at constant speed by pressing in the lock-on button.
 - You can then release your finger pressure on the trigger.
7. To stop the jigsaw if the lock-on button is used, squeeze the trigger fully in, then release it and the motor will stop.



USING THE JIGSAW

1. Place the sole-plate on the workpiece and squeeze the trigger to run the jigsaw up to its working speed before letting the blade touch the cut line. To make your cut, move the saw slowly forward along the cutting line.
2. Adjust the speed controller to suit the material being cut using the following suggested settings as a starting point. However, the optimum speed will be determined with practice.

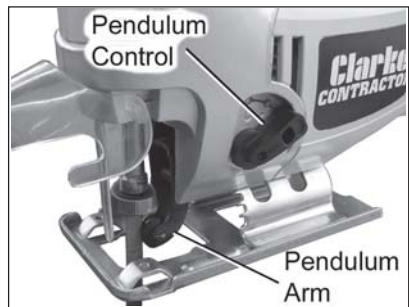
Plastic	1 - 3
Steel	2 - 4
Hardboard	3 - 4
Ceramic, aluminium, non-ferrous metals	3 - 5
Timber, plywood & chipboard	4 - 5

4. Take extra care when cutting curves - move the blade slowly to avoid stress on the blade.
5. When sawing, hold the jigsaw in front of you but do not put unnecessary pressure on the blade and avoid applying lateral pressure.
6. Let the blade work through the workpiece, ensuring the sole plate is flush with the workpiece.

ADJUSTING THE PENDULUM

The pendulum moves the blade away from the cut on the down (non-cutting) stroke. The pendulum can be particularly useful when cutting thicker, denser materials.

1. Adjust the control to suit the material being worked, and try to balance its use with adjustments to the speed of the saw to achieve the optimum setting for the job.



2. Adjust the pendulum control to suit the material being cut using the following suggested settings as a starting point if required. **Do not use the pendulum action for cutting ceramics or metals.**

Ceramics	0
Metal	0
Plywood, plastics	1 - 2
Timber, fibreboard & chipboard	1 - 3

CUTTING DIFFERENT MATERIALS

CUTTING WOOD

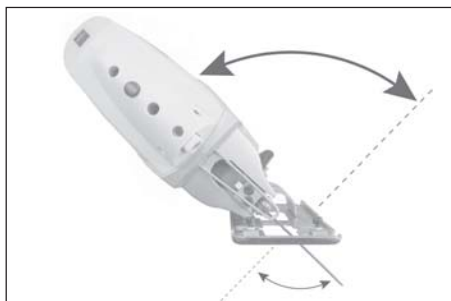
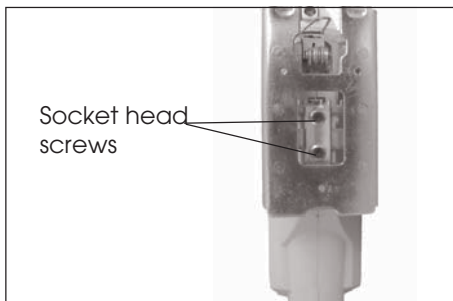
Check that any previously used timber being sawn does not contain any nails or other metal objects which would damage the blade.

CUTTING METAL

Having chosen a suitable blade for cutting metal it is recommended to lubricate the material and blade with cutting oil to prevent the tool from overheating. Support the workpiece with wooden blocks on either side.

ADJUSTING THE SOLE PLATE

The sole-plate is adjustable so that bevels of up to 45° may be cut. Loosen the two socket head screws under the sole-plate before adjusting it to the desired angle and re-tightening the screws.



MAINTENANCE

CLEANING

1. To ensure constant air circulation, always keep air vents clear of blockages, (use compressed air to clean the machine if possible).
2. After use, clean all dust and wood chippings from the jigsaw.

3. The blade locating clip and support roller should be kept clean and lightly oiled at regular intervals.
4. Keep the handle clean and free from oil and grease.
5. Regularly clean the sole plate to prevent scratches and scores on the surface.

GENERAL MAINTENANCE

1. Check the power cable to ensure it is sound and free from cracks, bare wires etc. Avoid using solvents when cleaning plastic parts, most plastics are susceptible to damage from the various types of commercial solvents.
2. Ensure all nuts, bolts and screws remain tight to ensure the jigsaw is in safe working condition.
 - All bearings etc, in this tool are lubricated with a sufficient amount of high grade lubricant for the tools lifetime under normal operating conditions, therefore no further lubrication is required.
 - Only use the replacement blades specified for this product (consult your CLARKE dealer).
 - Refer to your CLARKE dealer if internal maintenance is required.

FAULT FINDING

Problem	Possible Cause	Remedy
Tool will not operate.	No power supply.	Check supply and rectify as necessary.
	Switch is faulty.	Consult your Clarke dealer.
	Fuse blown.	Check and replace if necessary.
	Motor is faulty.	Consult your Clarke dealer.
Motor runs but blade does not move.	Blade fastening not tight.	Secure blade.
	Drive gear broken.	Consult your Clarke dealer.
Motor becomes hot.	Unduly heavy use.	Reduce the force applied to the tool. Let the tool do the work.
	Air vents have become blocked.	Clean out the air vents using compressed air or clean with a dry cloth.
	Low supply voltage.	Ensure supply voltage is correct. If an extension cable is used, ensure it is of the correct rating and is fully unwound.

FAULT FINDING

SPECIFICATION

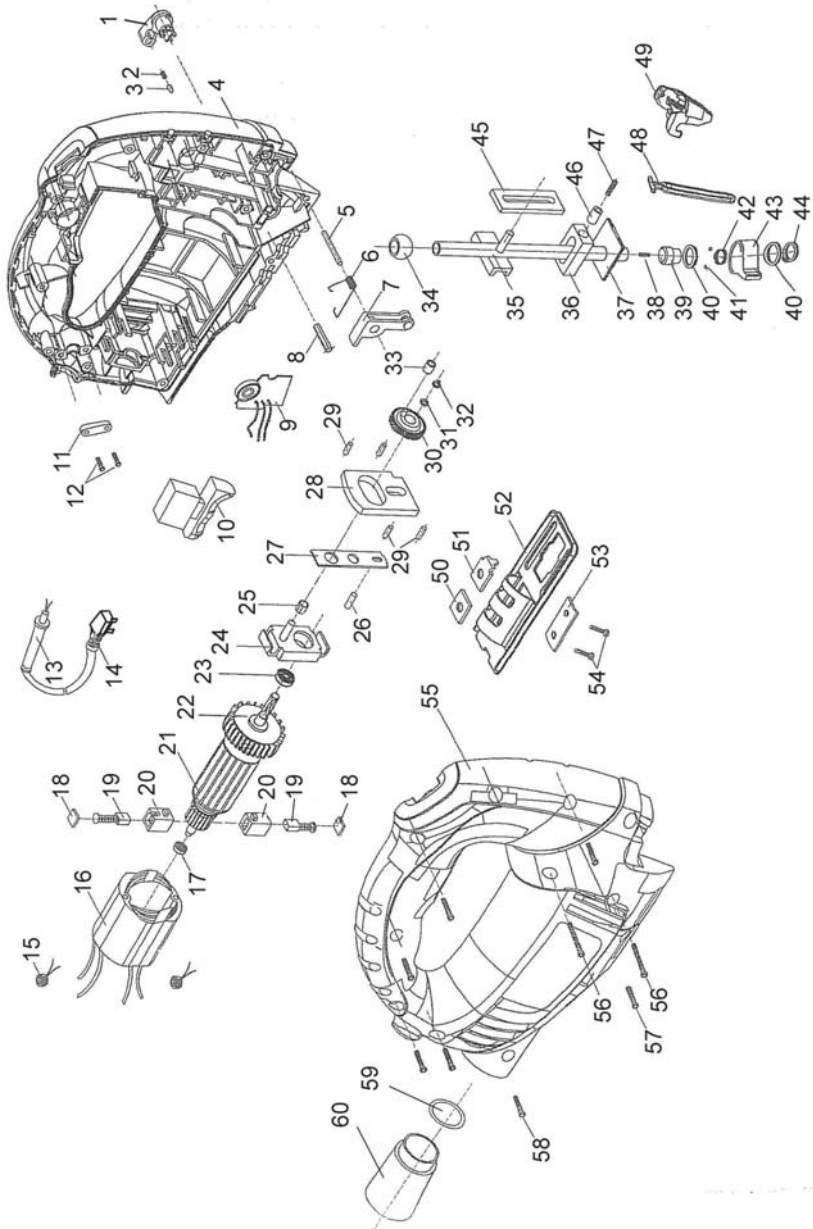
Problem	Possible Cause	Remedy
Heavy, internal sparking.	Faulty motor.	Consult your Clarke dealer.
Weight	2.2 kg	
Dimensions (L x W x H)	Worn Brushes.	Consult your Clarke dealer.
	218 x 67 x 217 mm	
Excessive vibration.	Blade not mounted correctly.	Check and rectify.
Voltage	230V / 50 Hz	
Fuse Rating	Machine bearings worn.	Consult your Clarke dealer.
	10 A	
Motor Power	750 W	
Speed Control Type	Variable	
No-load Speed	0-3100 strokes/min	
Max Depth of Cut	Wood-80 mm, Metal 10 mm	
Blade Change	SDS 'quick release'	
Dust Port Diameter	23.6 int / 35.8 ext	
Sound Pressure Level	87.5 dB(A)	
Sound Power Level	98.5 dB LWA	
Vibration	6.6 m/s ² (wood) 7.2 m/s ² (steel)	

Please note that the details and specifications contained herein, are correct at the time of going to print. However, CLARKE International reserve the right to change specifications at any time without prior notice.



Parts & Service: 020 8988 7400/E-mail: Parts@clarkeinternational.com or Service@clarkeinternational.com

PARTS DIAGRAM



PARTS LIST

No	Part No	Description
1	WGCON75001	Pendulum Switch
2	WGCON75002	Spring
3	WGCON75003	Screw
4	WGCON75004	Casing (LH)
5	WGCON75005	Hinge Pin
6	WGCON75006	Spring
7	WGCON75007	Pendulum
8	WGCON75008	Spiggot
9	WGCON75009	Speed Controller
10	WGCON75010	Trigger
11	WGCON75011	Cable Clamp
12	WGCON75012	Screw
13	WGCON75013	Power Cable
14	WGCON75014	Mains Plug
15	WGCON75015	Oil

No	Part No	Description
25	WGCON75025	Bush
26	WGCON75026	Pin
27	WGCON75027	Actuating Plate
28	WGCON75028	Drive Cage
29	WGCON75029	Locator
30	WGCON75030	Drive Spur
31	WGCON75031	Washer
32	WGCON75032	Circlip
33	WGCON75033	Drive Bush
34	WGCON75034	Hinge Ball
35	WGCON75035	Blade Carrier
36	WGCON75036	Guide Block
37	WGCON75037	Base Plate
38	WGCON75038	Spring
39	WGCON75039	Drive Pin

PARTS LIST

CONSUMABLE SPARE PARTS

Replacement saw blades for wood and metal are available from your CLARKE dealer.

Replacement Blades (10 per pack)

Wood:- Part no. 6462188

Metal:- Part no. 6462190

VIBRATION EMISSIONS

HAND-ARM VIBRATION

Employers are advised to refer to the HSE publication "Guide for Employers".

All hand held power tools vibrate to some extent, and this vibration is transmitted to the operator via the handle, or hand used to steady the tool. Vibration from about 2 to 1500 Hertz is potentially damaging and is most hazardous in the range from about 5 to 20 Hertz.

Operators who are regularly exposed to vibration may suffer from Hand Arm Vibration Syndrome (HAVS), which includes 'dead hand', 'dead finger', and 'white finger'. These are painful conditions and are widespread in industries where vibrating tools are used.

The health risk depends upon the vibration level and the length of time of exposure to it.....in effect, a daily vibration dose.

Tools are tested using specialised equipment, to approximate the vibration level generated under normal, acceptable operating conditions for the tool in question. For example, a grinder used at 45° on mild steel plate, or a sander on softwood in a horizontal plane etc.

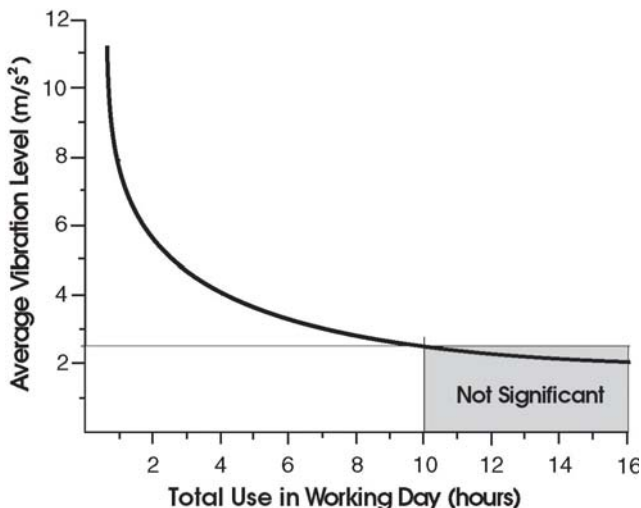
These tests produce a value 'a', expressed in metres per second per second, which represents the average vibration level of all tests taken, in three axes where necessary, and a second figure 'K', which represents the uncertainty factor, i.e. a value in excess of 'a', to which the tool could vibrate under normal conditions. These values appear in the specification panel below.

MODEL No:	CON750
DESCRIPTION:	JIGSAW
Declared vibration emission value in accordance with EN12096	
Measured vibration emission value - α :	6.6m/s ²
Values determined according to EN28622-1	

You will note that a third value is given in the specification - the highest measured reading in a single plane. This is the maximum level of vibration measured during testing in one of the axes, and this should also be taken into account when making a risk assessment.

'a' values in excess of 2.5 m/s² are considered hazardous when used for prolonged periods. A tool with a vibration value of 2.8 m/s² may be used for up to 8 hours (cumulative) per day, whereas a tool with a value of 11.2 m/s² may be used for ½ hour per day only.

The graph below shows the vibration value against the maximum time the respective tool may be used, per day.



The uncertainty factor should also be taken into account when assessing a risk. The two figures 'a' and 'K' may be added together and the resultant value used to assess the risk.

It should be noted that if a tool is used under abnormal, or unusual conditions, then the vibration level could possibly increase significantly. Users must always take this into account and make their own risk assessment, using the graph above as a reference.

Some tools with a high vibration value, such as impact wrenches, are generally used for a few seconds at a time, therefore the cumulative time may only be in the order of a few minutes per day. Nevertheless, the cumulative effect, particularly when added to that of other hand held power tools that may be used, must always be taken into account when the total daily dose rate is determined.

DECLARATION OF CONFORMITY



Clarke[®]
INTERNATIONAL

Hemnoll Street, Epping, Essex CM16 4LG

DECLARATION OF CONFORMITY

This is an important document and should be retained.

We hereby declare that this product(s) complies with the following directive(s):

2014/30/EU *Electromagnetic Compatibility Directive.*

2006/42/EC *Machinery Directive.*

2011/65/EC *Restriction of Hazardous substances.*

The following standards have been applied to the product(s):

EN 60745-1:2009 +A11, EN 60745-2-11:2010, EN 55014-1:2006 +A1 +A2,

EN 55014-2:1997 +A1 +A2, EN 61000-3-2:2014, EN 61000-3-3:2013.

The technical documentation required to demonstrate that the product(s) meet(s) the requirement(s) of the aforementioned directive(s) has been compiled and is available for inspection by the relevant enforcement authorities.

The CE mark was first applied in: 2009

Product Description: 750W Jig Saw
Model number(s): CON750
Serial / batch Number: N/A
Date of Issue: 10/06/2016

Signed:

J.A. Clarke
Director

A SELECTION FROM THE VAST RANGE OF

Clarke®

QUALITY PRODUCTS

AIR COMPRESSORS

From DIY to industrial, Plus air tools, spray guns and accessories.

GENERATORS

Prime duty or emergency standby for business, home and leisure.

POWER WASHERS

Hot and cold, electric and engine driven - we have what you need

WELDERS

Mig, Arc, Tig and Spot. From DIY to auto/industrial.

METALWORKING

Drills, grinders and saws for DIY and professional use.

WOODWORKING

Saws, sanders, lathes, mortisers and dust extraction.

HYDRAULICS

Cranes, body repair kits, transmission jacks for all types of workshop use.

WATER PUMPS

Submersible, electric and engine driven for DIY, agriculture and industry.

POWERTOOLS

Angle grinders, cordless drill sets, saws and sanders.

STARTERS/CHARGERS

All sizes for car and commercial use.



PARTS & SERVICE: 0208 988 7400

E-mail: Parts@clarkeinternational.com or Service@clarkeinternational.com

SALES: UK 01992 565333 or Export 00 44 (0)1992 565335

Clarke INTERNATIONAL Hemnall Street, Epping, Essex CM16 4LG
www.clarkeinternational.com