

# Clarifire®



## 20V CORDLESS JIGSAW

MODEL NO: CJS20Li

PART NO: 6487025

### OPERATION & MAINTENANCE INSTRUCTIONS



LS1013

---

## INTRODUCTION

---

Thank you for purchasing this CLARKE 20V Cordless Jigsaw.

Before attempting to use this product, please read this manual thoroughly and follow the instructions carefully. In doing so you will ensure the safety of yourself and that of others around you, and you can look forward to your purchase giving you long and satisfactory service.

---

## GUARANTEE

---

This product is guaranteed against faulty manufacture for a period of 12 months from the date of purchase. Please keep your receipt which will be required as proof of purchase.

This guarantee is invalid if the product is found to have been abused or tampered with in any way, or not used for the purpose for which it was intended.

Faulty goods should be returned to their place of purchase, no product can be returned to us without prior permission.

This guarantee does not effect your statutory rights.

---

## WHAT'S SUPPLIED

---

Unpack your tool and make sure that the following items are present. Should there be any damage caused during transit contact your Clarke dealer immediately.

1 x 20 Volt Cordless Jigsaw	1 x Wood Blade
1 x Parallel Fence	1 x Metal Blade

---

# SAFETY PRECAUTIONS

---



**WARNING: READ ALL INSTRUCTIONS. FAILURE TO FOLLOW ALL INSTRUCTIONS LISTED BELOW MAY RESULT IN ELECTRIC SHOCK, FIRE AND/OR SERIOUS INJURY. THE TERM "POWER TOOL" IN ALL WARNINGS LISTED BELOW REFERS TO YOUR 20V CORDLESS JIGSAW.**

---

## 1) WORK AREA SAFETY

- a. **Keep work area clean and well lit.** *Cluttered or dark areas invite accidents.*
- b. **Do not operate power tools in explosive atmospheres, such as in the presence of flammable liquids, gases or dust.** *Power tools create sparks which may ignite the dust or fumes.*
- c. **Keep children and bystanders away while operating a power tool.** *Distractions can cause you to lose control.*

## 2) ELECTRICAL SAFETY

- a. **Power tool plugs must match the outlet. Never modify the plug in any way. Do not use any adapter plugs with earthed (grounded) power tools.** *Unmodified plugs and matching outlets will reduce risk of electric shock.*
- b. **Avoid body contact with earthed or grounded surfaces, such as pipes, radiators, ranges and refrigerators.** *There is an increased risk of electric shock if your body is earthed or grounded.*
- c. **Do not expose power tools to rain or wet conditions.** *Water entering a power tool will increase the risk of electric shock.*
- d. **Do not abuse the cord. Never use the cord for carrying, pulling or unplugging the power tool. Keep cord away from heat, oil, sharp edges or moving parts.** *Damaged or entangled cords increase the risk of electric shock.*
- e. **When operating a power tool outdoors, use an extension cord suitable for outdoor use.** *Use of a cord suitable for outdoor use reduces the risk of electric shock.*
- f. **If operating a power tool in a damp location is unavoidable, use a residual current device (RCD) protected supply.** *Use of an RCD reduces the risk of electric shock.*

## 3) PERSONAL SAFETY

- a. **Stay alert, watch what you are doing and use common sense when operating a power tool. Do not use a power tool while you are tired or under the influence of drugs, alcohol or medication.** *A moment of inattention while operating power tools may result in serious personal injury.*
- b. **Use personal protective equipment. Always wear eye protection.** *Protective equipment such as dust mask, non-skid safety shoes, hard hat, or hearing protection used for appropriate conditions will reduce personal injuries.*

- c. **Prevent unintentional starting. Ensure the switch is in the off-position before connecting to power source and/or battery pack, picking up or carrying the tool.** *Carrying power tools with your finger on the switch or energising power tools that have the switch on invites accidents.*
- d. **Remove any adjusting key or wrench before turning the power tool on.** *A wrench or a key left attached to a rotating part o the power tool may result in personal injury.*
- e. **Do not overreach. Keep proper footing and balance at all times.** *This enables better control of the power tool in unexpected situations.*
- f. **Dress properly. Do not wear loose clothing or jewellery. Keep your hair, clothing and gloves away from moving parts.** *Loose clothes, jewellery or long hair can be caught in moving parts.*
- g. **If devices are provided for the connection of dust extraction and collection facilities, ensure these are connected and properly used.** *Use of dust collection can reduce dust-related hazards.*

#### **4) POWER TOOL USE AND CARE**

- a. **Do not force the power tool. Use the correct power tool for your application.** *The correct power tool will do the job better and safer at the rate for which it was designed.*
- b. **Do not use the power tool if the switch does not turn it on and off.** *Any power tool that cannot be controlled with the switch is dangerous and must be repaired.*
- c. **Disconnect the plug from the power source and/or the battery pack from the power tool before making any adjustments, changing accessories, or storing power tools.** *Such preventive safety measures reduce the risk of starting the power tool accidentally.*
- d. **Store idle power tools out of the reach of children and do not allow persons unfamiliar with the power tool or these instructions to operate the power tool.** *Power tools are dangerous in the hands of untrained users.*
- e. **Maintain power tools. Check for misalignment or binding of moving parts, breakage of parts and any other condition that may affect the power tool's operation. If damaged, have the power tool repaired before use.** *Many accidents are caused by poorly maintained power tools.*
- f. **Keep cutting tools sharp and clean.** *Properly maintained cutting tools with sharp cutting edges are less likely to bind and are easier to control.*
- g. **Use the power tool, accessories and tool bits etc. in accordance with these instructions, taking into account the working conditions and the work to be performed.** *Use of the power tool for operations different from those intended could result in a hazardous situation.*

## 5. BATTERY TOOL USE AND CARE

- a. **Recharge only with the charger specified by the manufacturer.** *A charger that is suitable for one type of battery pack may create a risk of fire when used with another battery pack.*
- b. **Use power tools only with specifically designated battery packs.** *Use of any other battery packs may create a risk of injury and fire.*
- c. **When battery pack is not in use, keep it away from other metal objects,** *like paper clips, coins, keys, nails, screws or other small metal objects, that can make a connection from one terminal to another. Shorting the battery terminals together may cause burns or a fire.*
- d. **Under abusive conditions, liquid may be ejected from the battery;** *avoid contact. If contact accidentally occurs, flush with water. If liquid contacts eyes, additionally seek medical help. Liquid ejected from the battery may cause irritation or burns.*

## 6) SERVICE

- a. Have your power tool serviced by a qualified repair person using only identical replacement parts. *This will ensure that the safety of the power tool is maintained.*

---

## ENVIRONMENTAL PROTECTION

---



Recycle unwanted materials instead of disposing of them as waste. All tools, accessories and packaging should be sorted, taken to a recycling centre and disposed of in a manner which is compatible with the environment.

---

## SAFETY INSTRUCTIONS FOR ALL SAWS

---

- a. **Keep hands away from cutting area and the blade.** Keep your second hand on the auxiliary handle, or motor housing. If both hands are holding the saw, they cannot be cut by the blade.
- b. **Do not reach underneath the workpiece.** The guard cannot protect you from the blade below the workpiece.
- c. **Never hold the piece being cut in your hands or across your leg.** Secure the workpiece to a stable platform. It is important to support the work properly to minimise body exposure, blade binding, or loss of control.
- d. **Hold the power tool by insulated gripping surfaces when performing an operation.** Contact with a live wire will also make exposed metal parts of the power tool live and shock the operator.

## SYMBOLS & PICTOGRAPHS



Laser Radiation, Class 2 Laser: Do not stare into the beam

	Weee Symbol		CE Mark
	Read instruction manual before use		

## KICKBACK

Kickback is a sudden reaction to a pinched or misaligned saw blade which causes the saw to lift up and out of the workpiece.

When the blade is pinched or bound tightly by the kerf closing down, the blade stalls and the motor reaction moves the unit back quickly towards the operator.

If the blade becomes twisted or misaligned in the cut, the teeth at the back edge of the blade can dig into the top of the workpiece causing the blade to climb out of the kerf and jump back towards the operator. Kickback is the result of misuse or incorrect operating procedures and can be prevented by taking the following precautions:

- a. Hold the saw tightly and position your arms to resist kickback forces. Position your body to one side of the blade.
- b. If the blade starts to bind, or when interrupting a cut, release the trigger and hold the saw still in the material until the blade comes to a full stop. Do not attempt to remove the saw from the work or pull the saw backward while the blade is moving or kickback can occur. Investigate and take corrective actions to eliminate the cause of blade binding.
- c. When restarting a saw in the workpiece, centre the saw blade in the kerf and make sure that saw teeth do not touch the material. If the blade is binding, it can kickback from the workpiece as the saw is restarted.
- d. Support large panels to minimise the risk of blade pinching and kickback. Large panels tend to sag under their own weight. Supports must be put below the panel on both sides, near the line of cut and near the edge of the panel.
- e. Bevel adjusting locking screws must be tight and secure before making a cut. If blade adjustment shifts while cutting, it may cause binding and kickback.

---

## FITTING THE BATTERY PACK (NOT SUPPLIED)

---

This 20V Jigsaw requires a 20V battery pack (6487040) and 1 Hour Charger (6487050) to operate. Both are available separately from your local Clarke dealer.

### TO FIT THE BATTERY

1. Slide the battery pack on to the jigsaw.

### TO REMOVE THE BATTERY

1. Push and hold the release buttons on the side of the battery pack.
2. Slide the battery pack away from the jigsaw.



---

## INSTALLING/CHANGING BLADES

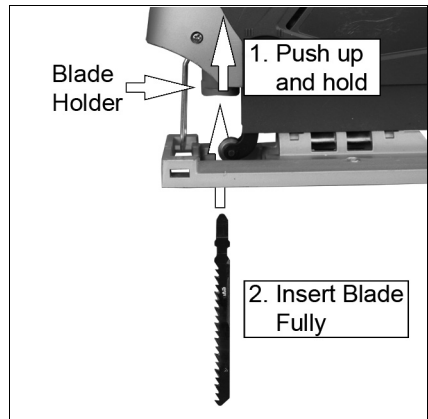
---



CAUTION: MAKE SURE THAT THE BATTERY PACK IS REMOVED TO AVOID RISK OF ACCIDENTAL STARTING.

This jigsaw is equipped with a toolless blade holder which allows fast and convenient blade changing.

1. Push and hold the blade holder up.
2. Insert the blade as far as possible, with the teeth facing forwards.
  - Use only jigsaw blades with the correct T-shank.
  - Do not use blunt or damaged blades.
3. Release the blade holder and gently pull on the blade to make sure that it is secure before refitting the battery.

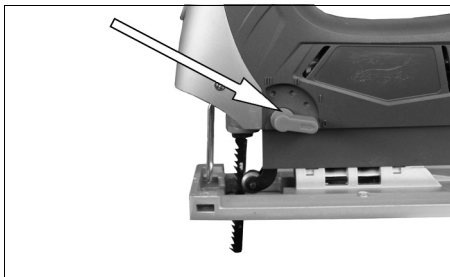


# ADJUSTMENTS

## ADJUSTING THE PENDULUM

The pendulum moves the blade away from the cut on the down (non-cutting) stroke and forward into the workpiece on the upward (cutting) stroke. The pendulum can be particularly useful when cutting thicker, denser materials.

1. Adjust the pendulum control to suit the material being cut using the following suggested settings as a starting point if required. Do not use the pendulum action for cutting ceramics or metals.

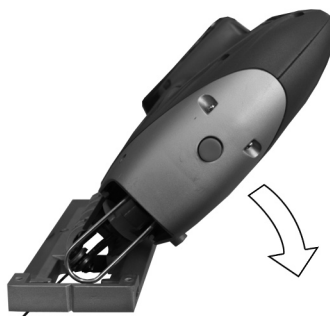
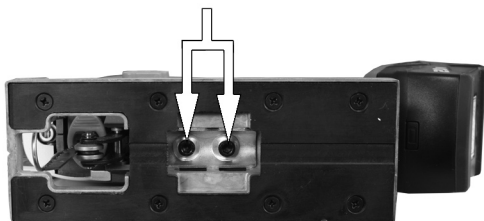


Material	Pendulum Setting
Ceramics	0
Metal	0
Plywood, Plastics	1-2
Timber, Fiberglass & Chipboard	1-3

## ADJUSTING THE SOLE PLATE

The sole-plate is adjustable so that bevels of up to 45° may be cut. Loosen the two socket head screws under the sole-plate before adjusting it to the desired angle and re-tightening the screws.

Loosen using supplied hexagon key





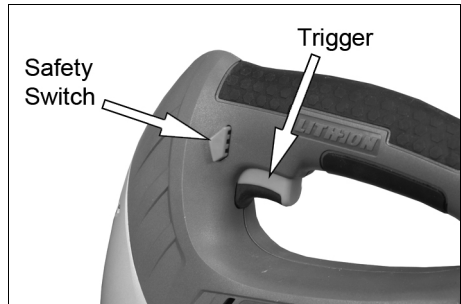
---

# OPERATION

---

## SWITCHING ON/OFF

- Ensure that the workpiece is securely held and the cutting line is clearly marked.
1. Place the sole-plate on the workpiece taking care that the blade is not touching the workpiece or striking on anything below.
  2. Press and hold the safety switch and then squeeze the trigger.
    - The jigsaw has a variable speed trigger. For increased speed, squeeze the trigger harder.
    - Let the blade work through the workpiece, ensuring the sole plate is flush with the workpiece.
  3. Release the trigger to stop the saw.

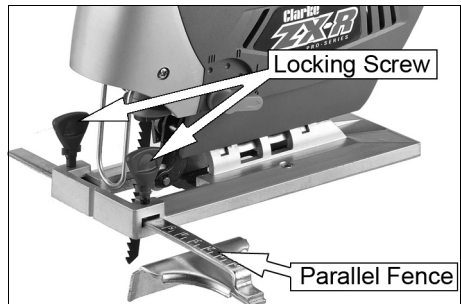


**WARNING: THE BLADE WILL CONTINUE TO RUN FOR A SHORT PERIOD AFTER THE TRIGGER HAS BEEN RELEASED. WAIT UNTIL IT STOPS BEFORE REMOVING IT FROM THE WORKPIECE.**

---

## PARALLEL FENCE

1. Insert the parallel fence as shown.
2. Secure in place with the locking screw.



## LASER GUIDE

The laser guide helps keep the blade aligned with the cutting line.

1. Press the Laser on/off button to turn the laser on.
  - Do not point the laser beam at people.
  - Keep the laser beam below eye level.
  - Only turn on laser beam when the tool is on the work piece.
2. Press the Laser on/off button again to turn the laser off.



---

## CUTTING TIPS

---

- Wait until the blade is running at full speed before attempting to cut the workpiece.
- Do not put unnecessary pressure on the blade and avoid applying lateral pressure.
- Take extra care when cutting curves - move the blade slowly to avoid stress on the blade.

### WOOD

- Check that any previously used timber being sawn does not contain any nails or other metal objects which would damage the blade.

### METAL

- Choose a suitable blade for cutting metal
- Lubricate the material and blade with cutting oil to prevent overheating.

### HOLE CUTTING

- When starting a cut from the center of a work piece, drill a 12mm diameter hole to ensure that there is clearance for the blade
- Remember that the blade should emerge from the workpiece at every point of the cut.
- When cutting tight curves, reduce the forward speed of the saw.

---

# MAINTENANCE

---

## CLEANING

1. Keep air vents free of blockages, (use compressed air to clean the machine if possible).
2. After use, clean all dust and wood chippings from the jigsaw.
3. Keep the blade locating clip and support roller clean, you should lightly oil the support roller at regular intervals.
4. Keep the handle clean.
5. Regularly clean the sole plate to prevent scratches and scores on the surface.

---

## GENERAL MAINTENANCE

---

1. Make sure that the power cable it is sound and that there are no cracks or bare wires.
2. Do not use solvents when cleaning plastic parts, most plastics are vulnerable to damage from the different types of solvents.
  - Make sure that all nuts, bolts and screws stay tight to keep the jigsaw in a safe working condition.
  - All bearings etc, in this tool are lubricated with a sufficient amount of high grade lubricant for the tools lifetime in normal operating conditions, therefore no further lubrication is necessary.
  - Only use the replacement blades specified for this product (see your Clarke dealer).
  - Refer to your Clarke dealer if internal maintenance is necessary.

---

## CONSUMABLE SPARE PARTS

---

Replacement saw blades for wood and metal are available from your Clarke dealer.

Replacement Blades (10 per pack)

Wood: Part no. 6462188

Metal: Part no. 6462190

---

## SPECIFICATIONS

---

No Load Blade Speed	0-2400 Strokes per minute
Operating Voltage	20 V DC
Stroke length	25.4 mm
Maximum Blade Length	76 mm
Pendulum settings	3
Weight (without battery pack)	1.7 kg
Dimensions (without battery pack) (L x W x H)	227 x 74 x 215 mm

---

Sound pressure Level (LPA)	87.3 dB(A)
Sound Power Level (LWA)	98.3 dB(A)
Sound Uncertainty Value (K)	3 dB(A)
Vibration	5.383 m/s <sup>2</sup>
Vibration Uncertainty Value (K)	1.5 m/s <sup>2</sup>

---

### MAXIMUM CUTTING DEPTH

---

Wood	50 mm
Aluminium	8 mm
Mild Steel	6 mm

---

# DECLARATION OF CONFORMITY



**Clarke**<sup>®</sup>  
**INTERNATIONAL**

Hemnal Street, Epping, Essex CM16 4LG

## DECLARATION OF CONFORMITY

This is an important document and should be retained.

We hereby declare that this product(s) complies with the following directive(s):

2004/108/EC *Electromagnetic Compatibility Directive.*  
2006/42/EC *Machinery Directive.*  
2011/65/EU *Restriction of Hazardous substances.*

The following standards have been applied to the product(s):

*EN 55014-1:2006/A1:2009, EN 55014-2:1997/A2:2008, EN 60745-1:2009/A11:2010,  
EN 60745-2-11:2010*

The technical documentation required to demonstrate that the product(s) meet(s) the requirement(s) of the aforementioned directive(s) has been compiled and is available for inspection by the relevant enforcement authorities.

The CE mark was first applied in: 2011








**Product Description:** 20V Cordless Li Ion Jig saw  
**Model number(s):** CJS20Li  
**Serial / batch Number:** N/A  
**Date of Issue:** 01/10/2013

Signed:

J.A. Clarke  
Director

## CLARKE ZX-R RANGE

The Clarke ZX-R 20V cordless power tools are designed as a high power and quality solution for the tradesman that requires a number of different tool types.

<p>20v Hammer Drill. Model: CDD20Li  Part Number: 6487010</p>		<p>20v Jig Saw Model: CJS20Li  Part Number: 6487025</p>			
<p>20v Circular Saw  Model: CCS20Li  Part Number: 6487015</p>		<p>20v Multifunction Tool. Model: CMFT20Li  Part Number: 6487030</p>			
<p>20v Led Lamp  Model: CFL20Li  Part Number: 6487035</p>		<p>20v Reciprocating Saw Model: CRS20Li  Part Number: 6487020</p>			
<p>20v Impact Driver Model: CID20Li  Part Number: 6487000</p>		<p style="text-align: center;">Also Available</p> <table border="0" style="width: 100%;"> <tr> <td style="width: 50%; vertical-align: top;"> <p>20V Battery Model BL1500Li Part Number 6487050</p> </td> <td style="width: 50%; vertical-align: top;"> <p>20V Battery Charger Part Number r6487050</p> </td> </tr> </table>		<p>20V Battery Model BL1500Li Part Number 6487050</p>	<p>20V Battery Charger Part Number r6487050</p>
<p>20V Battery Model BL1500Li Part Number 6487050</p>	<p>20V Battery Charger Part Number r6487050</p>				

---

## NOTES

---

# A SELECTION FROM THE VAST RANGE OF

# Clarke®

## QUALITY PRODUCTS

### AIR COMPRESSORS

From DIY to industrial, Plus air tools, spray guns and accessories.

### GENERATORS

Prime duty or emergency standby for business, home and leisure.

### POWER WASHERS

Hot and cold, electric and engine driven - we have what you need

### WELDERS

Mig, Arc, Tig and Spot. From DIY to auto/industrial.

### METALWORKING

Drills, grinders and saws for DIY and professional use.

### WOODWORKING

Saws, sanders, lathes, mortisers and dust extraction.

### HYDRAULICS

Cranes, body repair kits, transmission jacks for all types of workshop use.

### WATER PUMPS

Submersible, electric and engine driven for DIY, agriculture and industry.

### POWER TOOLS

Angle grinders, cordless drill sets, saws and sanders.

### STARTERS/CHARGERS

All sizes for car and commercial use.



**PARTS & SERVICE: 020 8988 7400**

**E-mail: [Parts@clarkeinternational.com](mailto:Parts@clarkeinternational.com) or [Service@clarkeinternational.com](mailto:Service@clarkeinternational.com)**

**SALES: UK 01992 565333 or Export 00 44 (0)1992 565335**

**Clarke® INTERNATIONAL** Hemnall Street, Epping, Essex CM16 4LG  
[www.clarkeinternational.com](http://www.clarkeinternational.com)