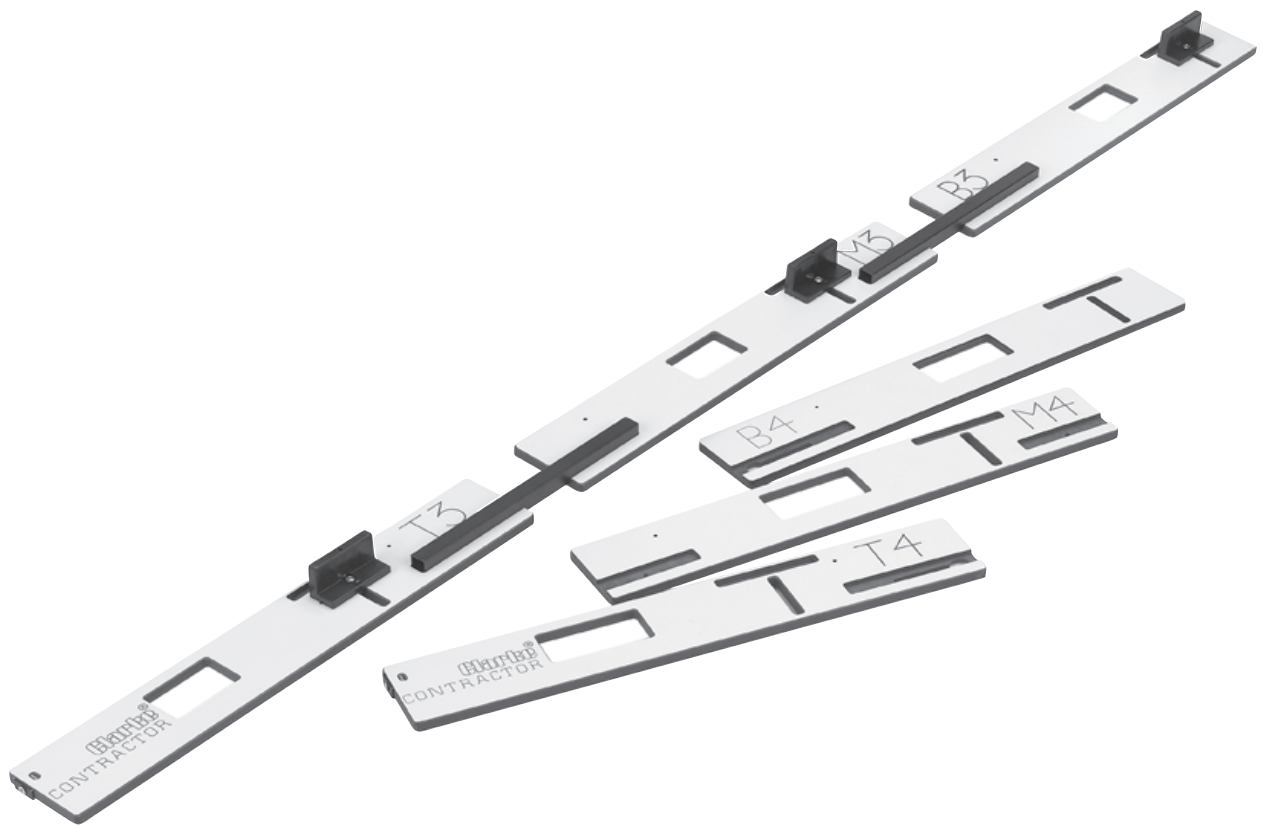


# Glambro®

## CONTRACTOR



# HINGE JIG

Model No: CHJ110

Part No: 6462121

OPERATION & MAINTENANCE  
INSTRUCTIONS



0405

Please note that the details and specifications contained herein, are correct at the time of going to print. However, CLARKE International reserve the right to change specifications at any time without prior notice.



Thank you for purchasing this CLARKE Hinge Jig Set

Before attempting to use the jig, please read this manual thoroughly and follow the instructions carefully. In doing so you will ensure the safety of yourself and that of others around you, and you can look forward to the jig set giving you long and satisfactory service.

## CLARKE GUARANTEE

This CLARKE product is guaranteed against faulty manufacture for a period of 12 months from the date of purchase. Please keep your receipt as proof of purchase.

This guarantee is invalid if the product is found to have been abused or tampered with in any way, or not used for the purpose for which it was intended.

Faulty goods should be returned to their place of purchase, no product can be returned to us without prior permission.

This guarantee does not effect your statutory rights.

### Introduction

An easy to use and carry high quality hinge jig for precision fitting of 3" and 4" hinges. Assembly and setting time is minimal, can be quickly dismantled for storage.

## Specifications

**Hinge Length** ..... 3" & 4"

**Hinge Width** ..... Min. 3/8" (9mm) Max. 1 1/2" (38mm)

**Door Height** ..... Min. 6'5" (1955mm) Max. 6'8" (2032mm)

## Contents

3 X 3" hinge jig plates : T3 (top plate 'A'), M3 (middle plate 'B') & B3 (bottom plate 'C').

3 X 4" hinge jig plates: T4 (top plate 'G'), M4 (middle plate 'H') & B4 (bottom plate 'I').

3 aligning/clamping sets (D).

2 adjustable connecting bars (F).

4 wing screws (E).

1 instruction Manual.

### **Other equipment required (not supplied).**

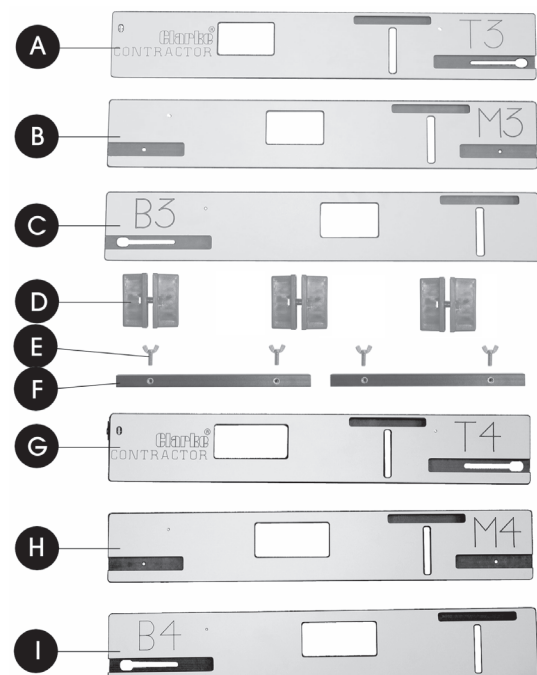
Light duty plunge router capable of taking a 16mm guide bush.

16mm guide bush.

12.7mm (1/2") router bit.

Minimum of 3 'G' clamps or similar.

Folding workbench.



# Safety Precautions

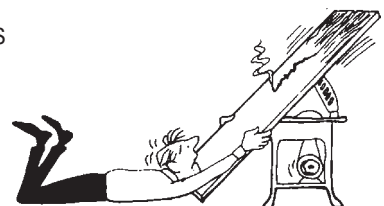
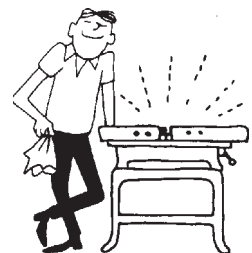
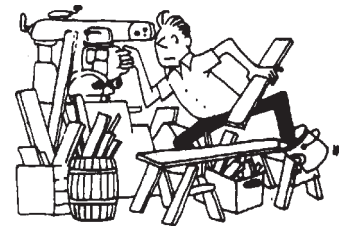


**WARNING:**



*As with all machinery, there are certain hazards involved with their operation and use. Exercising respect and caution will considerably reduce the risk of personal injury. However, if normal safety precautions are overlooked or ignored, personal injury to the operator or damage to property, may result.*

1. **ALWAYS** Learn the equipments applications, limitations and any specific potential hazards peculiar to it. Read and become familiar with the entire operating manual.
2. **ALWAYS** use a face or dust mask if operation is particularly dusty.
3. **ALWAYS** check for damage. Before using tools and equipment, any damage should be checked to ensure that it will operate properly, and perform its intended function. Check for alignment of moving parts, breakage of parts, mountings, and any other condition that may affect the equipments operation. Any damage should be properly repaired or the part replaced. If in doubt, **DO NOT** use. Consult expert advice.
4. **ALWAYS** disconnect power tools from the electric supply before servicing and when making adjustments or changing accessories etc.
5. **ALWAYS** wear safety goggles, manufactured to the latest European Safety Standards. Everyday eyeglasses do not have impact resistant lenses, they are not safety glasses.
6. **ALWAYS** keep work area clean. Cluttered areas and benches invite accidents.
7. **ALWAYS** ensure that adequate lighting is available. A minimum intensity of 300 lux should be provided. Ensure that lighting is placed so that you will not be working in your own shadow.
8. **ALWAYS** keep children away. All visitors should be kept a safe distance from the work area, especially whilst working with tools, particularly power tools.
9. **ALWAYS** maintain equipment in top condition. Keep tools/machines clean for the best and safest performance. Follow maintenance instructions.
10. **ALWAYS** handle with extreme care do not carry tools/machines by the electric cable, or yank the cable to disconnect it from the power supply.
11. **ALWAYS** ensure the switch is off before plugging in to mains. Avoid accidental starting.
12. **ALWAYS** concentrate on the job in hand, no matter how trivial it may seem. Be aware that accidents are caused by carelessness due to familiarity.
13. **ALWAYS** keep your proper footing and balance at all times don't overreach. For best footing, wear rubber soled footwear. Keep floor clear of oil, scrap wood etc.
14. **ALWAYS** seek assistance when lifting heavy objects (worktops etc.).



# Operation

Before commencing:

**ALWAYS** ensure the work area is safe and secure.

**ALWAYS** ensure the door is supported properly, ideally using a folding workbench or similar.

**ALWAYS** ensure the router path is clear of any obstacles etc.

**ALWAYS** ensure the router power cable is clear of the jig and is of sufficient length.

**ALWAYS** read and understand the router instruction manual to ensure safe operation.

## Jig Assembly

Select the plates required either 3" or 4".

Attach the aligning/clamping sets using nuts and screws supplied (Fig. 1), ensure the square nut sits in the recess, DO NOT fully tighten screws, leave loose enough to allow the clamping sets to slide backwards and forwards for adjustment later.

Join plates using the adjustable connecting bars.

Attach both bars to the middle plate first and firmly secure with wing screws (Fig. 2).

Attach top and bottom plates leaving wing screws loose to enable adjustment

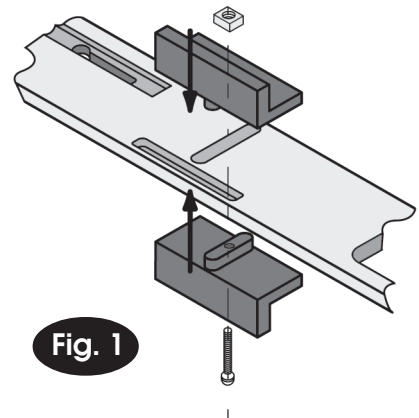


Fig. 1

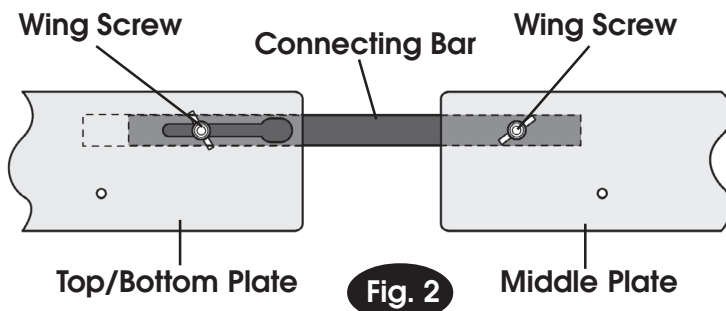


Fig. 2

**NOTE:** ONLY the Top and Bottom plates are adjustable, and can be easily removed from assembly by simply loosening the wing screw and sliding the plate in direction of arrow (Fig. 3) this allows the wing screw to pass through keyhole.

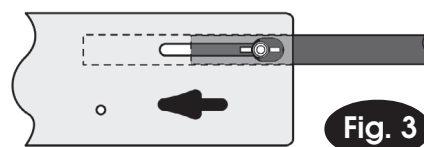


Fig. 3

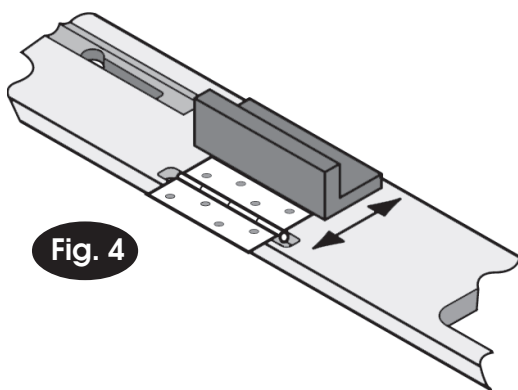


Fig. 4

## Setting Width Of Hinge Recess

1. Slide the alignment/clamping block to the back of the plate.
2. Position the knuckle of the hinge in the slot opposite the alignment/clamping block as in Fig. 4.
3. Push the alignment/clamping block against the edge of the hinge as in Fig. 4.
4. Tighten the alignment/clamping block securing screw.
5. Repeat steps, 1,2,3 &4 for the remaining alignment/clamping sets.

### Positioning And Adjusting The Jig.

1. Separate the 3 sections by loosening the wing screws in the top and bottom plates, slide each plate so that the wing screw passes through the keyhole.
2. Place the top plate on the edge of the door so that the clamping block is set against the open face of the door. **Note: The open face of the door is the side where the hinge is fitted, (see fig. 5).**
3. Loosen the end swivel securing screw on the top plate and turn the swivel through 90° so that the top plate is flush with the top of the door, (see Fig. 6). This will set the aperture for the top hinge 6" from the top of the door.

**NOTE: the hinge plates can be positioned upside down so that the connecting bars sit underneath. This is dependant on which side is the open face of the door (see Fig. 6).**

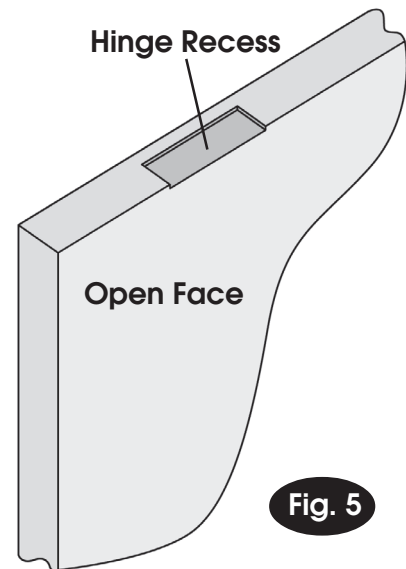


Fig. 5

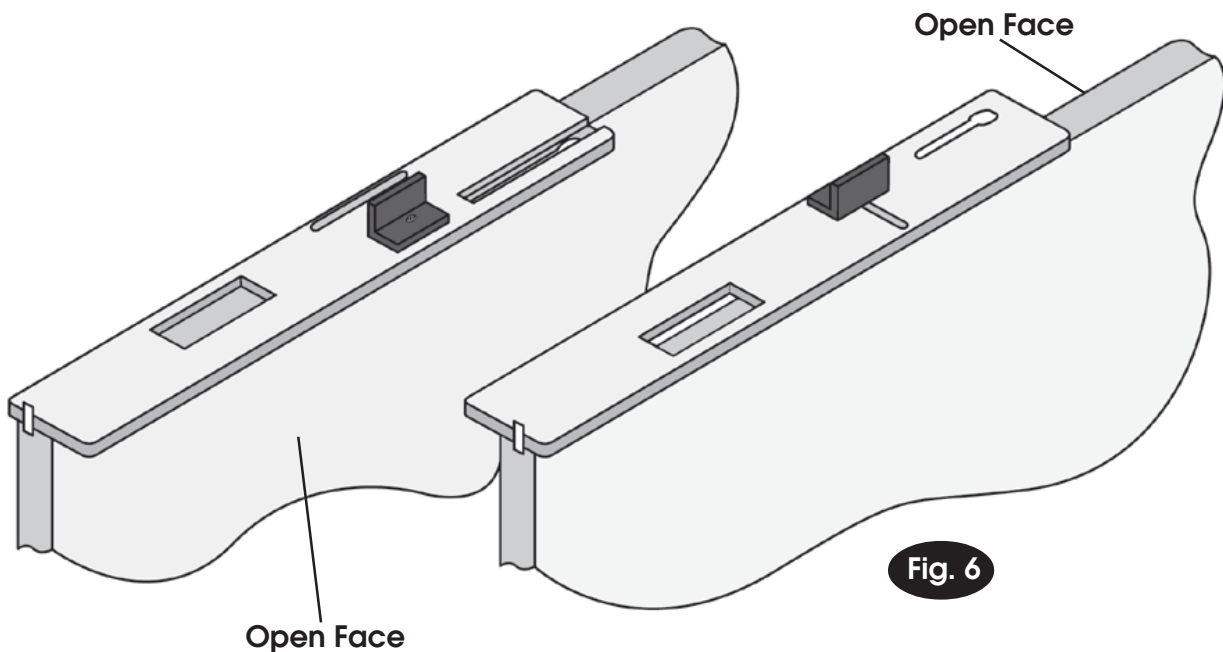


Fig. 6

4. Secure the top jig to the door using a suitable 'G' clamp, (See Fig. 7a & 7b). Ensure the clamp does not obstruct the router path. A piece of scrap wood can be used to protect surface of the door.

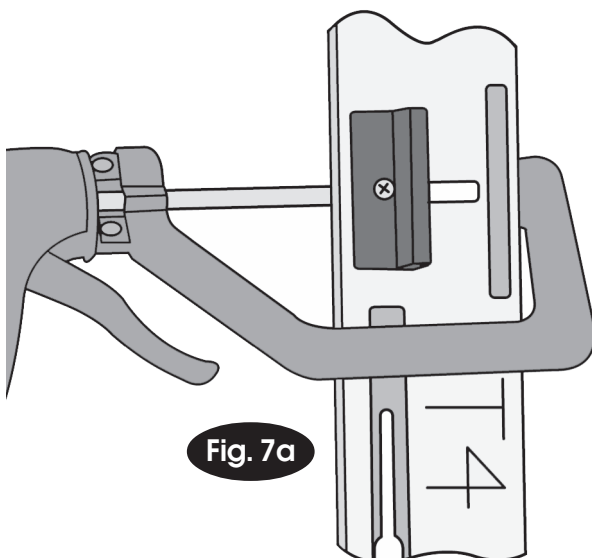


Fig. 7a

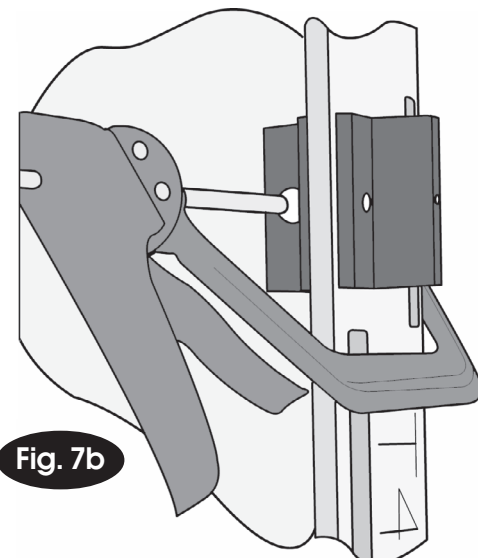
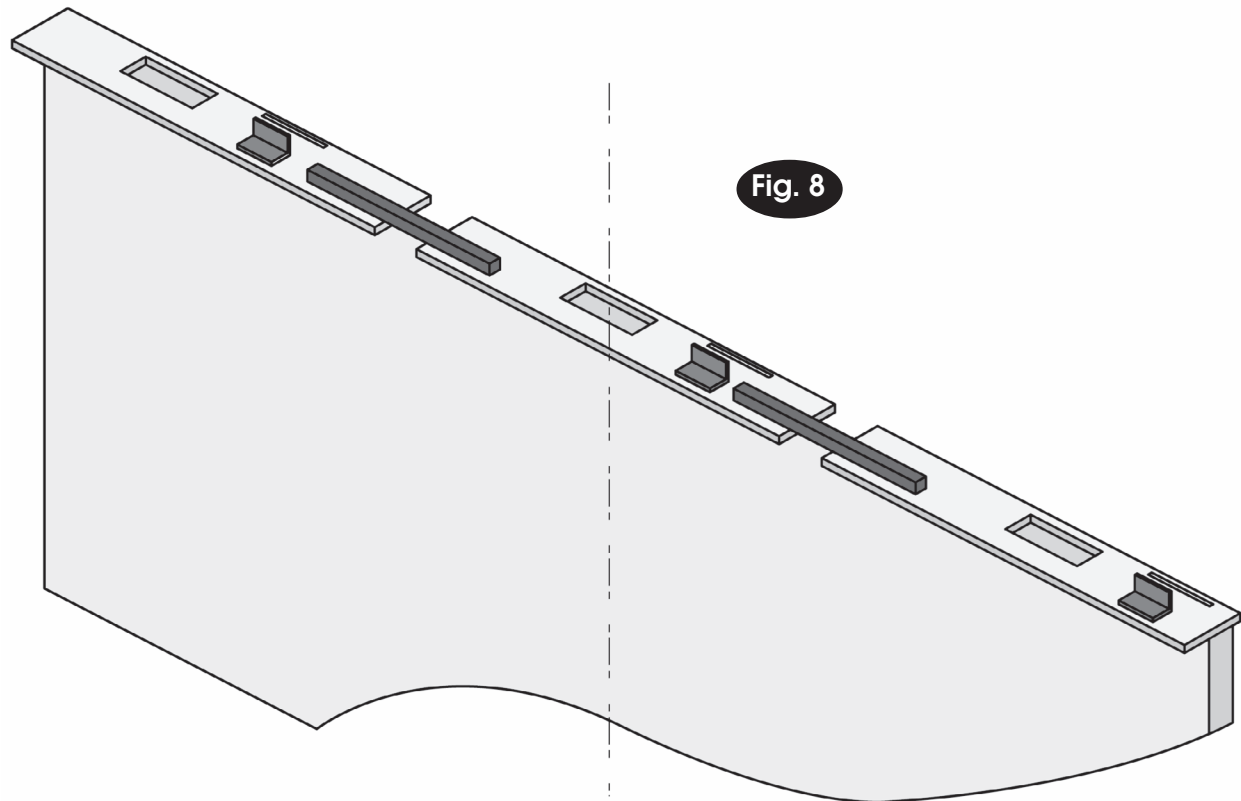


Fig. 7b

5. Attach the middle plate to the top plate as described on page 4, DO NOT tighten wing screw at this stage.
6. Attach the bottom plate to the middle plate, adjust the bottom plate so that it is flush with the end of the door, tighten the wing screw and secure to the door with 'G' clamp (Fig. 7a and 7b). Ensure clamp does not obstruct router path.
7. Adjust the middle plate so that the middle aperture is in the centre of the door, (Fig. 8) tighten the wing screw and secure to door with 'G' clamp. Ensure clamp does not obstruct router path.



8. Ensure all wing screws and 'G' clamps are tight, check aperture positions are correct and adjust if necessary. Ensure the door is firmly supported, i.e. using folding work bench or similar.

#### **Routing Hinge Recesses In The Door.**

Assemble and adjust router as follows (always refer to manufacturers instructions).

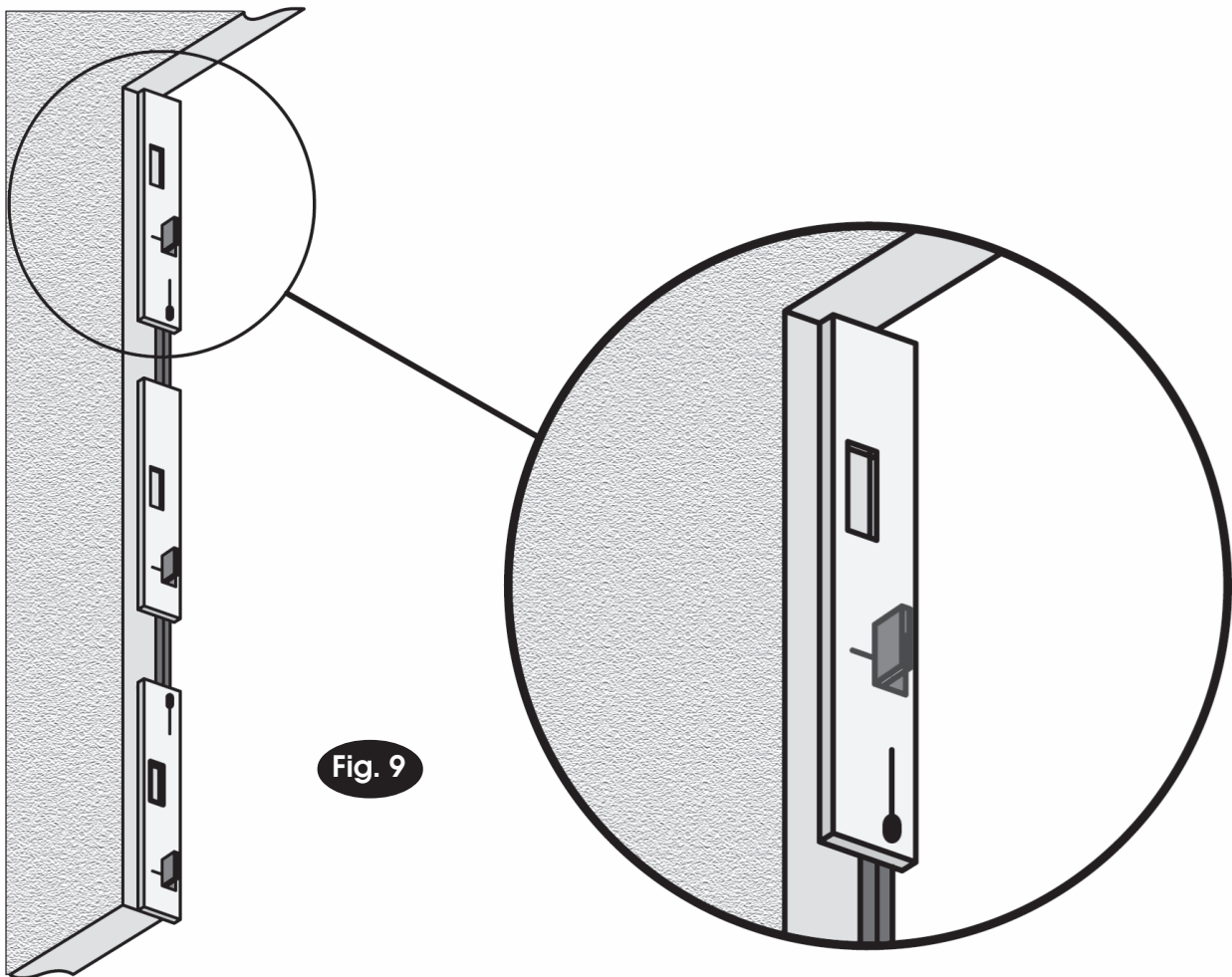
1. Remove all attachments if fitted, i.e. fence guide etc.
2. Fit 16mm guide bush.
3. Fit ½" (12.7mm) router cutter.
4. Attach dust/chip extractor.
5. Adjust the depth of cut just slightly deeper than the hinge thickness.
6. Position the router on the jig with the guide bush inside one of the apertures.
7. Holding the router with both hands, ensure it is sitting flat on the jig. Switch ON and plunge to the preset depth, move the router in a clockwise direction allowing the guide bush to follow the jig aperture until the recess is completely cut out.
8. Square off the corners with a sharp chisel.
9. Repeat steps 6,7 & 8 for other two recesses.

**NOTE: If only fitting, top and bottom hinges, DO NOT rout out the centre aperture.**



### **Routing Hinge Recesses In The Frame.**

1. Carefully remove the hinge jig from the door without releasing any wing screws and taking care not to disturb the jig settings.
2. Loosen the securing screw in the swivel and turn it back 90° so that it is in line with the top plate again, tighten securing screw.
3. Place the hinge jig against the door frame, using the opposite side of the jig used on the door (see Fig. 9). Ensure the jig is pushed up to the top of the door frame, i.e. the swivel securing screw is touching the top of the frame (see inset below).
4. Using the 'G' clamps secure the jig to the frame in the same way as with the door. If it is not possible to use the 'G' clamps, the jig can be secured to the frame using suitable woodscrews through the holes in the jig plates.



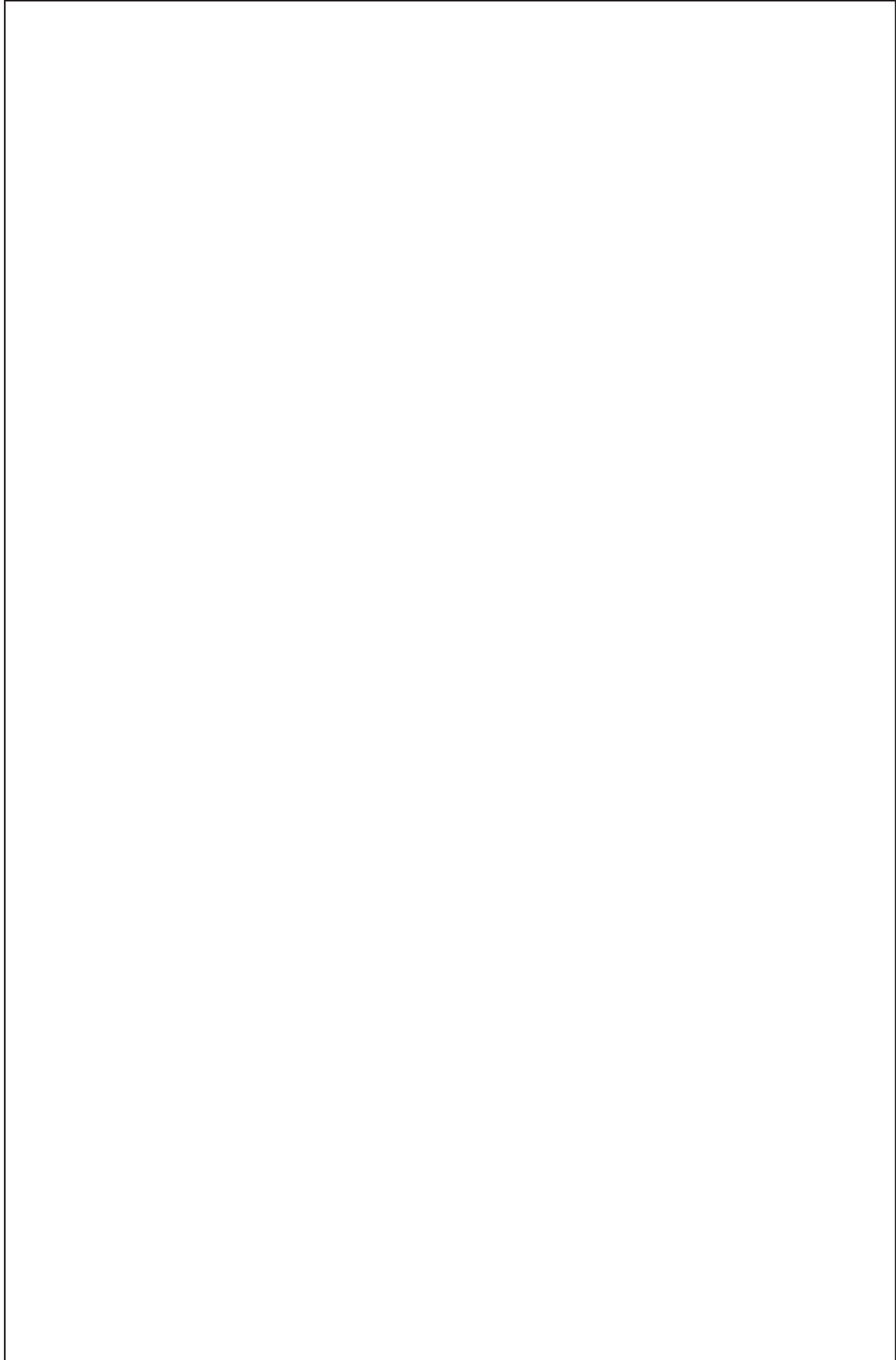
5. Rout the hinge recesses following the instructions for routing out the door recesses (page 6 steps 6, 7 &8).

Finally fit hinges and hang door.

If jig is not to be used again, disassemble and store carefully.

**NOTE: it is not necessary to remove the aligning/clamping sets for storing and carrying.**





# A SELECTION FROM THE VAST RANGE OF

# Clarke®

## QUALITY PRODUCTS

### **AIR COMPRESSORS**

*From DIY to industrial. Plus air tools, spray guns and accessories.*

### **GENERATORS**

*Prime duty or emergency standby for business, home and leisure.*

### **POWER WASHERS**

*Hot and cold, electric and engine driven - we have what you need.*

### **WELDERS**

*Mig, Arc, Tig and Spot. From DIY to auto/industrial.*

### **METALWORKING**

*Drills, grinders and saws for DIY and professional use.*

### **WOODWORKING**

*Saws, sanders, lathes, mortisers and dust extraction.*

### **HYDRAULICS**

*Cranes, body repair kits, transmission jacks for all types of workshop use.*

### **WATER PUMPS**

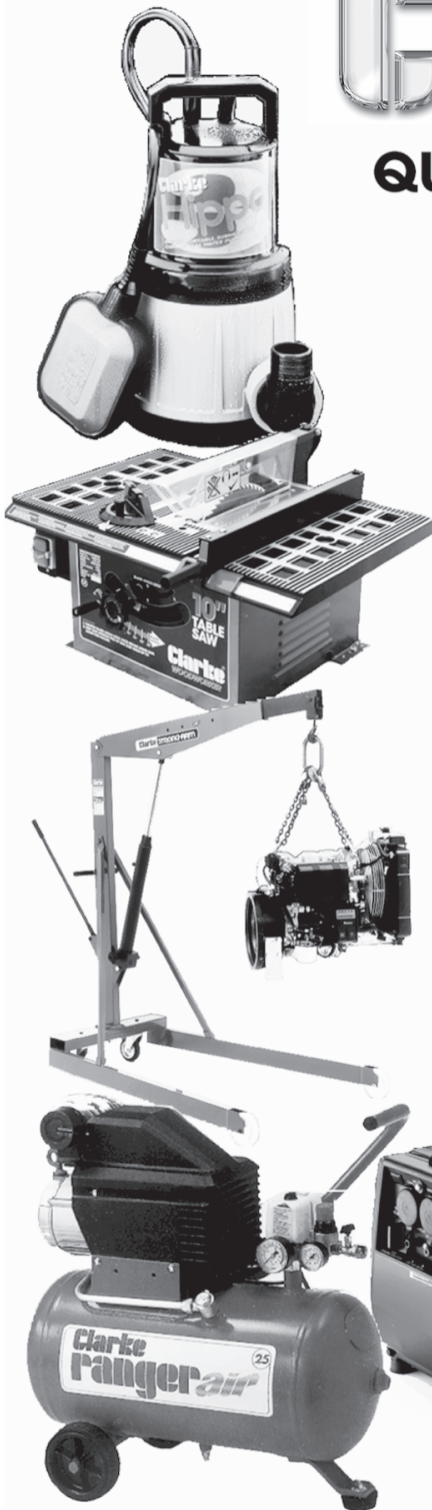
*Submersible, electric and engine driven for DIY, agriculture and industry.*

### **POWER TOOLS**

*Angle grinders, cordless drill sets, saws and sanders.*

### **STARTER/CHARGERS**

*All sizes for car & commercial use.*



**Clarke** INTERNATIONAL

Hemnall Street, Epping, Essex, CM16 4LG. ENGLAND

Telephone: 01992 565333 Fax: 01992561562

e-mail: [Parts@clarkeinternational.com](mailto:Parts@clarkeinternational.com) [Service@clarkeinternational.com](mailto:Service@clarkeinternational.com)

For spares and servicing, please contact your nearest dealer, or Clarke International on 020-8988-7400