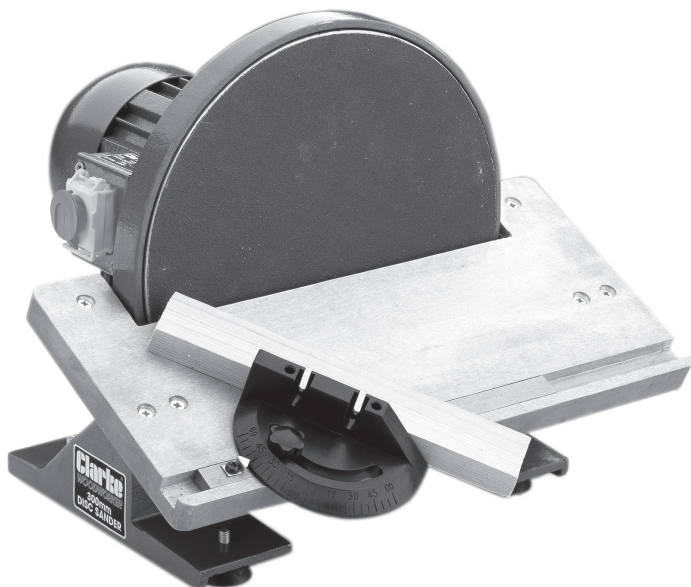


# Clarke® WOODWORKER



## 300mm DISC SANDER

**Model No. CDS300**

Part No: 6462140

© 0810

## OPERATING & MAINTENANCE INSTRUCTIONS



# WOODWORKER

## SPECIFICATIONS

Motor .....	230V 50Hz 1Ph
Speed .....	1420RPM
Power Rating - On load .....	1HP (750Watts)
Fuse Rating .....	13Amps
Disc Size .....	305mm
Dimensions Overall .....	442x350x390
Table Size .....	400x133mm (useable)
Table Tilt .....	0-45° Down
Mitre Gauge .....	0-60° Two direction
Dust Extraction Outlet ID .....	45mm
Dust Extraction Outlet OD .....	52mm
Weight unpacked .....	31kg
Noise Level (Free Running) .....	88dB(A)

Please note that the details and specifications contained herein, are correct at the time of going to print. However, CLARKE International reserve the right to change specifications at any time without prior notice. Always consult the machine's data plate



Do not dispose of this product with household waste. It must be disposed of according to all local ordinances

### DECLARATION OF CONFORMITY

**We declare that this product complies with the following standards/ directives:**

**98/37/EC**

**EN 61029-1-2000**

**For Product Serial/Batch Number, see product data plate.**

signed.....

L. E. Fergusson  
SERVICE MANAGER



Thank you for purchasing this CLARKE 300mm (12") Disc Sanding Machine, designed for INDOOR use ONLY, by hobbyists and professional woodworkers alike.

Before operating the machine, please read this leaflet thoroughly and carefully follow all instructions. This will ensure the safety of yourself and that of others around you, and you can also look forward to the machine giving you long and satisfactory service.

## GUARANTEE

This CLARKE product is guaranteed against faulty manufacture for a period of 12 months from the date of purchase. Please keep your receipt as proof of purchase.

This guarantee is invalid if the product is found to have been abused or tampered with in any way, or not used for the purpose for which it was intended.

Faulty goods should be returned to their place of purchase, no product can be returned to us without prior permission.

This guarantee does not effect your statutory rights.

## FEATURES

This 300mm Sanding Disc is ideal for finish fitting, altering bevel angles, sanding convex curves - 'to the line', and sanding end grain, without burning etc.

The machine is provided with a work table which is capable of tilting to 45 degrees, and a mitre gauge, in which the work may be held, and which moves in a mitre gauge slot, parallel to the disc. The Mitre gauge is also capable of adjustment to 60 degrees. The table must ALWAYS be perfectly secure before starting work.

Considerable dust is produced when using this machine and it is most important that a suitable face mask is worn at all times. We also strongly recommend that a dust extractor is fitted to the outlet provided, and similarly, used at all times.

Discs for sanding wood are available from your CLARKE dealer (See 'Accessories'). Discs for sanding other materials are available from various DIY or specialist stores.

If you are not familiar with sanding machines, it is strongly recommended that you consult a qualified person, or obtain relevant tutorials. Like all power tools, this machine can be extremely dangerous in the wrong hands or if used incorrectly. Used correctly however, it is a highly efficient and intensely labour saving device.

Please read this manual thoroughly before use.

# GENERAL SAFETY RULES FOR OPERATING MACHINERY

## WARNING:

*As with all machinery, there are certain hazards involved with their operation and use. Exercising respect and caution will considerably lessen the risk of personal injury. However, if normal safety precautions are overlooked or ignored, personal injury to the operator or damage to property, may result.*

1. **READ and BECOME FAMILIAR** with the entire operating manual. Learn the machines' applications and limitations as well as the specific potential hazards peculiar to it.
2. **EARTH ALL MACHINES.** If the machine is equipped with three-pin plug, it should be plugged into a three-pin electrical socket. Never remove the earth pin.
3. **ALWAYS** ensure that **ADEQUATE LIGHTING** is available. A minimum intensity of 300 lux should be provided. Ensure that lighting is placed so that you will not be working in your own shadow.
4. **CHECK for DAMAGE** before using the machine. Any damaged part, such as a guard etc., should be checked to ensure that it will operate properly, and perform its intended function. Check for alignment of moving parts, breakage of parts, mountings, and any other condition that may affect the machines' operation. Any damage should be properly repaired or the part replaced. If in doubt, **DO NOT USE** the machine. Consult your local dealer.
5. **DISCONNECT the MACHINE** from the power supply before servicing and when changing sanding discs, or adjusting the table etc.
6. **ALWAYS KEEP GUARDS IN PLACE** and in working order.
7. **ALWAYS WEAR SAFETY GOGGLES**, manufactured to the latest European Safety Standards. Also use a face or dust mask if the cutting operation is dusty. Everyday eyeglasses do not have impact resistant lenses, they are **NOT** safety glasses.
8. **KEEP WORK AREA CLEAN.** Cluttered areas and benches invite accidents.
9. **ALWAYS WEAR EAR PROTECTORS/DEFENDERS.**
10. **DON'T FORCE THE MACHINE.** It will do a better and safer job at the rate for which it was designed.

11. **REMOVE ADJUSTING KEYS AND WRENCHES.** Form the habit of checking to see that keys and adjusting wrenches are removed from the machine before switching on.
12. Do not operate machine while under the influence of **DRUGS, ALCOHOL OR ANY MEDICATION.**
13. **USE ONLY RECOMMENDED ACCESSORIES.** The use of improper accessories could be hazardous.
14. **NEVER LEAVE MACHINE RUNNING UNATTENDED.** Turn power OFF. Do not leave machine until it comes to a complete stop.
15. **ALWAYS DISCONNECT FROM THE MAINS SUPPLY** when adjusting, changing parts, or working on machine.
16. **AVOID DANGEROUS ENVIRONMENT.** Don't use power machines in damp or wet locations or expose them to rain. Keep your work area well illuminated. DO NOT USE in explosive atmosphere (around paint, flammable liquids etc.).
17. **KEEP CHILDREN AWAY.** All visitors should be kept a safe distance from the work area, especially whilst operating the unit.
19. **MAINTAIN MACHINE IN TOP CONDITION.** Keep it clean for the best and safest performance. Follow maintenance instructions.
21. **DON'T OVERREACH.** Keep your proper footing and balance at all times. For best footing, wear rubber soled footwear. Keep floor clear of oil, scrap wood, etc.
22. **WEAR PROPER APPAREL.** Loose clothing or jewellery may get caught in moving parts. Wear protective hair covering to contain long hair.
23. **MAKE WORKSHOP CHILDPROOF.** Cover the machine adequately when not in use, to prevent children from damaging themselves by tampering with it.
24. **NEVER STAND ON THE MACHINE.** Serious injury could occur if the machine is tipped or if a cutting tool is accidentally contacted. Do not store materials above or near a machine, such that it is necessary to stand on the machine to reach them.
25. **HANDLE WITH EXTREME CARE** whenever transporting or installing machinery. ALWAYS have assistance with heavy or awkward loads.
26. **AVOID ACCIDENTAL STARTING.** Ensure the switch is OFF before plugging in to mains.
27. **ALWAYS CONCENTRATE ON THE JOB IN HAND,** no matter how trivial it may seem. Accidents are frequently caused by carelessness due to familiarity.

## ADDITIONAL SAFETY INSTRUCTIONS for DISC SANDERS

- ✓ **ALWAYS** place the sander on a solid wood workbench which will not move under load.
  - ✓ **ALWAYS** wear safety goggles as protection against flying grit and/or sawdust. In many cases, a full face shield is even better protection. A dust mask is also recommended to keep saw dust out of your lungs.
  - ✓ **ALWAYS** clear the work table of all objects except the workpiece (tools, scraps, rulers etc.) before switching on the sander.
  - ✓ **ALWAYS** keep your fingers well away from the disc.
  - ✓ **ALWAYS** switch off the sander, and make sure the disc has come to a complete stop before clearing sawdust from the table.
  - ✓ **ALWAYS** make sure there are no nails or foreign objects in the part of the workpiece to be sanded.
  - ✓ **ALWAYS** set up the machine and make all adjustments with the power OFF, and disconnected from the supply.
  - ✓ **ALWAYS** use the correct type and size of sanding disc for each operation.
  - ✓ **ALWAYS** maintain a gap of 1.5 - 2mm MAX. between the sanding Disc and the table.
  - ✓ **ALWAYS** take great care if sanding non-ferrous metals. Dust from some materials can be extremely dangerous.....toxic or explosive.
  - ✗ **NEVER** operate the machine with the guards or table removed. They must all be in place and securely fastened when performing any operation
  - ✗ **NEVER** sand any material that does not have a flat surface on which to bear.
  - ✗ **NEVER** force the work into the disc....Hold it FIRMLY and press it gently into the disc, on the DOWNWARD direction side.
- NOTE: The disc spins in an ANTICLOCKWISE direction. The workpiece should ALWAYS be sanded on the LEFT HAND HALF of the disc.***

# ELECTRICAL CONNECTIONS

Connect the mains lead to a standard, 230 Volt (50Hz) electrical supply through an approved 13 amp BS 1363 plug, or a suitably fused isolator switch.

## WARNING! THIS APPLIANCE MUST BE EARTHED

IMPORTANT: The wires in the mains lead are coloured in accordance with the following code:

Green and Yellow	-	Earth
Blue	-	Neutral
Brown	-	Live

As the colours of the flexible lead of this appliance may not correspond with the coloured markings identifying terminals in your plug proceed as follows:

- Connect the GREEN & YELLOW cord to terminal marked with a letter "E" or Earth symbol  $\frac{\perp}{\equiv}$  or coloured GREEN or GREEN & YELLOW.
- Connect BROWN cord to terminal marked with "L" or coloured RED.
- Connect BLUE cord to the terminal marked with "N" or coloured BLACK.

If this appliance is fitted with a plug which is moulded onto the electric cable (i.e. non-rewirable) please note:

1. The plug must be thrown away if it is cut from the electric cable. There is a danger of electric shock if it is subsequently inserted into a socket outlet.
2. Never use the plug without the fuse cover fitted.
3. Should you wish to replace a detachable fuse carrier, ensure that the correct replacement is used (as indicated by marking or colour code).
4. Replacement fuse covers can be obtained from your local dealer or most electrical stockists.

## Fuse Rating

The fuse in the plug must be replaced with one of the same rating -**13amps** and this replacement must be ASTA approved to BS1362.

## Cable Extension

If a cable extension is needed, it is essential to ensure that the size of the conductors is at least the same size as those of the power cable supplied.

# INSTALLATION & OPERATION

Remove the sander from the packing and ensure it is complete and has not suffered any damage in transit. Should any damage be apparent, contact your Clarke dealer immediately.

Your Sander is fully assembled, except for the sanding disc and the Mitre Gauge.

1. Install the machine on a solid base, one that will not move easily. Adjust the rubber feet if necessary so that the machine is horizontal and perfectly stable.

Alternatively, the rubber feet may be removed and the machine bolted directly to a solid workbench as a permanent fixture. This is a more solid arrangement and avoids the possibility of the machine moving when in use.

2. Remove the protective cover from the back of the sanding disc and gently slide it between the work table and disc so that it is concentric about the disc. Press firmly so that it adheres to the disc, turning the disc as you do so.
3. Wipe the table surface with a rag moistened with white spirit to remove the transportation lacquer.
4. Adjust the work table to the desired angle, by slackening the two Table Clamps, one either side, moving the table and tightening the clamps.

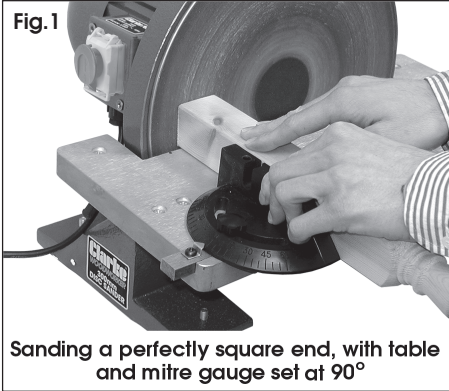
***Note that the clamps are spring loaded. Turn the lever clockwise to clamp, as far as possible, then pull the lever out against spring pressure which allows the lever to be turned anticlockwise without unclamping. Allow the lever to spring inwards again, then proceed to turn it clockwise once more. Repeat the process until the table is securely clamped.....but DO NOT overtighten, otherwise damage to the clamping mechanism will occur.***

***You will also note that there is a little slack between the table pivot screw and Quadrant, beneath the table, When clamping, maintain a slight inwards pressure on the table so that a gap of 1.5 - 2mm is achieved between the table and disc.***

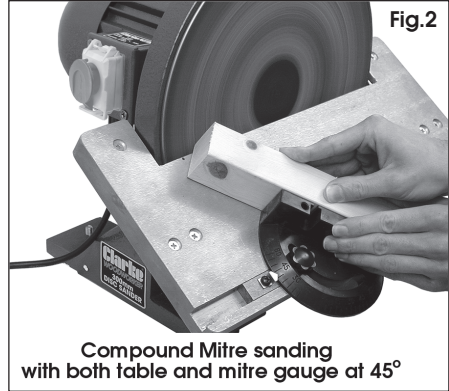
5. To start the disc, press the GREEN START button marked 'I'. Allow the disc to come to full speed before commencing work.
6. To stop, press the RED STOP button, and wait for the disc to stop completely before removing any sawdust.

If the angle is critical, an angle gauge should be used between the table and disc to ensure accuracy. For right angles, simply slide a square on the table, up to the disc, and adjust accordingly. The angle should be correct when slight pressure is placed on the table.





**Sanding a perfectly square end, with table and mitre gauge set at 90°**



**Compound Mitre sanding with both table and mitre gauge at 45°**

For greater accuracy, the mitre gauge is used so that the work may be held at a required angle and moved across the disc as shown in Figs. 1 and 2.

Use a slight pressure ONLY... let the disc do the work. Pressure should be on the DOWNWARDS direction of motion of the disc ONLY. i.e. on the left half of the disc as shown in Figs.1 and 2.

**NOTE:**

**Replacement sanding discs (packets of 5) in three different grit sizes are available from your Clarke dealer. (See Accessories below).**

**We STRONGLY recommend that a dust extraction device is used with this machine. Simply attach a suitable hose from the dust extractor to the outlet, beneath the table. A vacuum cleaner may be used for this purpose if a purpose built dust extractor is not available. (Dust extractors are available from your Clarke dealer).**

## MAINTENANCE

ALWAYS disconnect the machine from the mains supply BEFORE performing any maintenance operation.

The machine is completely maintenance free, with the exception of ensuring it is kept clean and free from build up of sawdust at all times. This should be carried out with an old paintbrush or similar, and a vacuum cleaner.

The panel beneath the table is secured by two screws. Remove these to gain access to the lower half of the disc.

## ACCESSORIES

### **Sanding Discs, self adhesive (Packets of 5)**

- 1. 60 Grit ..... Part No. 6502305
- 2. 80 Grit ..... Part No. 6502310
- 3. 120 Grit ..... Part No. 6502315

# PARTS LIST

No.	Description	Part No.	No.	Description	Part No.
1	Screw	NXCD30001	36	Teeth Washer	NXCD30036
2	Spring Washer	NXCD30002	37	Spring Washer	NXCD30037
3	Flat Washer	NXCD30003	38	Screw	NXCD30038
4	Dust Chute Cover	NXCD30004	39	Terminal box	NXCD30039
5	Seal Plate	NXCD30005	40	Teeth Washer	NXCD30040
6	Screw	NXCD30006	41	Spring Washer	NXCD30041
7	Sanding disc	See accessories -P9	42	Screw	NXCD30042
8	Hex. Bolt	NXCD30008	43	Screw	NXCD30043
9	Washer	NXCD30009	44	Switch	NXCD30044
10	Disc	NXCD30010	45	Terminal box cover	NXCD30045
11	Hex. Bolt	NXCD30011	46	Teeth Washer	NXCD30046
12	Spring Washer	NXCD30012	47	Screw	NXCD30047
13	Base	NXCD30013	48	Strain Relief	NXCD30048
14	Rubber Pad	NXCD30014	49	Stator	NXCD30049
15	Flat Washer	NXCD30015	50	Centrifugal Switch	NXCD30050
16	Hex. Bolt	NXCD30016	51	Rotator	NXCD30051
17	Plate	NXCD30017	52	Key	NXCD30052
18	Socket head Bolt	NXCD30018	53	Bearing	NXCD30053
19	Handle	NXCD30019	54	Cable	NXCD30054
20	Screw	NXCD30020	55	Wiring Terminal	NXCD30055
21	Motor housing	NXCD30021	56	Ground	NXCD30056
22	Screw	NXCD30022	57	Working Table	NXCD30057
23	Teeth Washer	NXCD30023	58	Screw	NXCD30058
24	Centrifugal Sw. Plate	NXCD30024	59	Scale Pointer	NXCD30059
25	Locking Ring	NXCD30025	60	Spring Washer	NXCD30060
26	Bearing	NXCD30026	61	Screw	NXCD30061
27	Screw	NXCD30027	62	Knob	NXCD30062
28	Teeth Washer	NXCD30028	63	Mitre Gauge	NXCD30063
29	Motor Cover	NXCD30029	64	Sliding Gauge	NXCD30064
30	Spring Washer	NXCD30030	65	Angle Scale left	NXCD30065
31	Screw	NXCD30031	66	Angle Scale right	NXCD30066
32	Fan	NXCD30032	67	Flat Washer	NXCD30067
33	Fan Cover	NXCD30033	68	Spring Washer	NXCD30068
34	Capacitor	NXCD30034	69	Nut	NXCD30001
35	Capacitor cover	NXCD30035			

For Spare Parts and Service, please contact your nearest dealer,  
or CLARKE International, on one of the following numbers.

**PARTS & SERVICE TEL: 020 8988 7400**

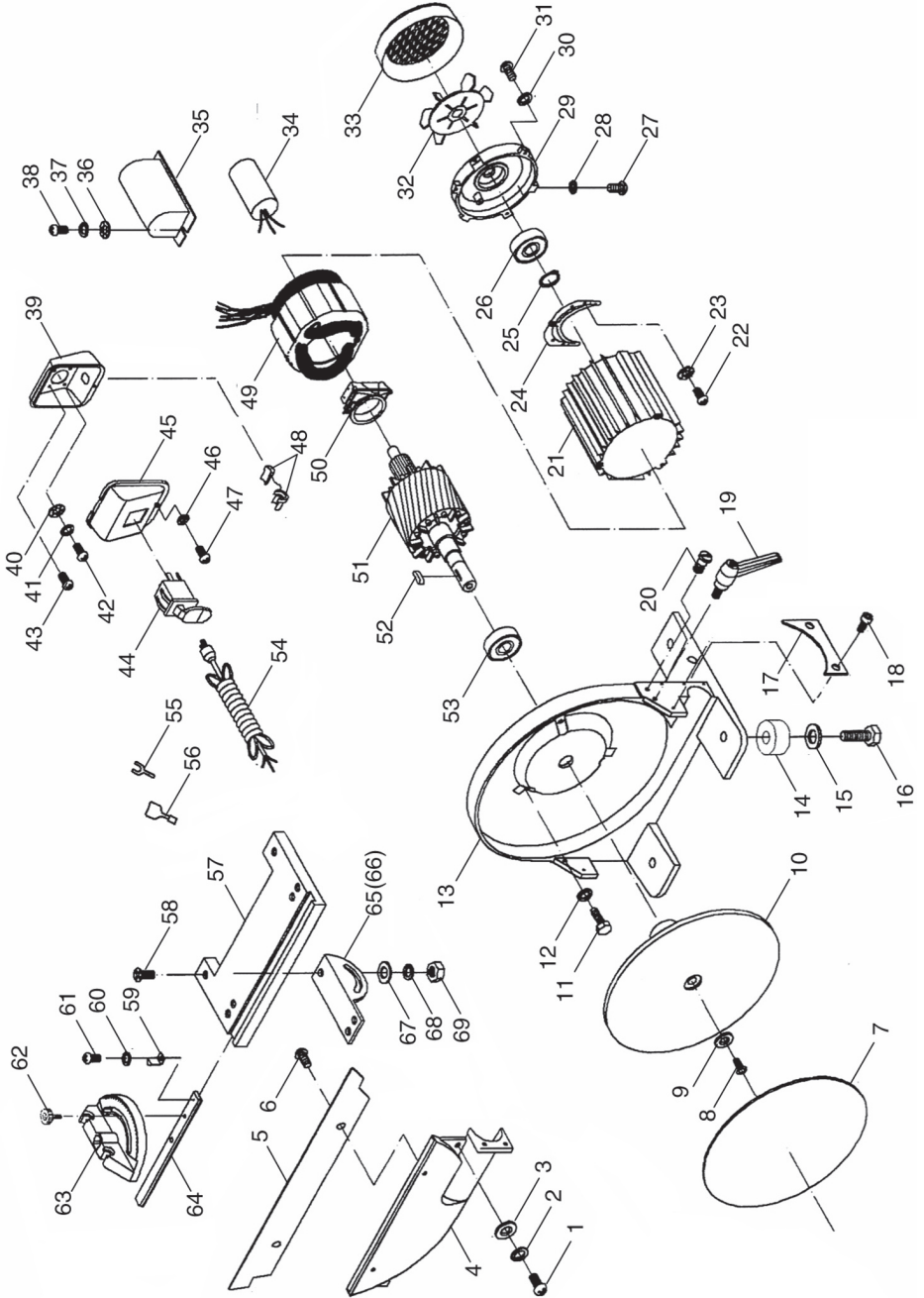
**PARTS & SERVICE FAX: 020 8558 3622**

or e-mail as follows:

**PARTS: [Parts@clarkeinternational.com](mailto:Parts@clarkeinternational.com)**

**SERVICE: [Service@clarkeinternational.com](mailto:Service@clarkeinternational.com)**

# PARTS DIAGRAM



# A SELECTION FROM THE VAST RANGE OF

# Clarke®

## QUALITY PRODUCTS

### AIR COMPRESSORS

From DIY to industrial, Plus air tools, spray guns and accessories.

### GENERATORS

Prime duty or emergency standby for business, home and leisure.

### POWER WASHERS

Hot and cold, electric and engine driven - we have what you need

### WELDERS

Mig, Arc, Tig and Spot.  
From DIY to auto/industrial.

### METALWORKING

Drills, grinders and saws for DIY and professional use.

### WOODWORKING

Saws, sanders, lathes, mortisers and dust extraction.

### HYDRAULICS

Cranes, body repair kits, transmission jacks for all types of workshop use.

### WATER PUMPS

Submersible, electric and engine driven for DIY, agriculture and industry.

### POWER TOOLS

Angle grinders, cordless drill sets, saws and sanders.

### STARTERS/CHARGERS

All sizes for car and commercial use.



**PARTS & SERVICE: 0208 988 7400**

**E-mail: [Parts@clarkeinternational.com](mailto:Parts@clarkeinternational.com) or [Service@clarkeinternational.com](mailto:Service@clarkeinternational.com)**

**SALES: UK 01992 565333 or Export 00 44 (0)1992 565335**

**Clarke® INTERNATIONAL** Hemnall Street, Epping, Essex CM16 4LG  
[www.clarkeinternational.com](http://www.clarkeinternational.com)