

CLAMPBO[®]

WOODWORKER



3HP Dust Extractor & Chip Collector

Model CDE85

Part No 6471150

**OPERATING & MAINTENANCE
INSTRUCTIONS**



INTRODUCTION

Thank you for purchasing this CLARKE Dust Extractor & Chip Collector

Before attempting to operate the machine, it is essential that you read this manual thoroughly and carefully follow all instructions given. In doing so you will ensure the safety of yourself and that of others around you, and you can also look forward to the machine giving you long and satisfactory service.

GUARANTEE

This CLARKE product is guaranteed against faulty manufacture for a period of 12 months from the date of purchase. Please keep your receipt as proof of purchase.

This guarantee is invalid if the product is found to have been abused or tampered with in any way, or not used for its intended purpose.

Faulty goods should be returned to their place of purchase, no product can be returned to us without prior permission.

This guarantee does not effect your statutory rights.

CONTENTS

Introduction	2
Guarantee	2
Environmental Protection	2
Parts & Service Contacts	2
Table of contents	3
Technical Specification	3
Safety Precautions	4
Electrical Connections	6
Overview	7
Unpacking & Assembly	8
Using the Dust Collector	11
Maintenance	11
Troubleshooting	12
Parts Lists and Diagrams	13
Declaration of Conformity	15

TECHNICAL SPECIFICATION

Feature	Specification
Voltage	230Vac@50Hz
Power Rating	3HP
Motor Speed	2950rpm
Noise Level	85 db (Lwa)
No of Dust/Filter Bags	4
Dust Bag Type	Folded filter
Dust Bag Size	500 x 850 (0.307cu/mtr)
Air Throughput @50Hz	2300cfm (65cu.m/m)
Dust Capacity	307 litres
Weight	49 kg
Dimensions (LxWxH)	725 x 1465 x 1945

Please note that the details and specifications contained herein, are correct at the time of going to print. However, CLARKE International reserve the right to change specifications at any time without prior notice.

ENVIRONMENTAL PROTECTION



When disposing of this product, do not dispose of with general waste. It must be disposed of according to the laws governing Waste Electrical and Electronic Equipment, at a recognised disposal facility.

For parts & Servicing, please contact your nearest dealer, or CLARKE International, on one of the following numbers.

PARTS & SERVICE TEL: 020 8988 7400

PARTS & SERVICE FAX: 020 8558 3622

or e-mail as follows:

PARTS: Parts@clarkeinternational.com

SERVICE: Service@clarkeinternational.com

SAFETY PRECAUTIONS

WORK AREA

1. Keep the work area clean and well lit. Floors should always be kept clear. Cluttered or dark areas invite accidents.
2. **ALWAYS** keep children away and keep visitors at a safe distance from the work area, especially whilst operating the machine.

PERSONAL SAFETY

1. Stay alert, watch what you are doing and use common sense when operating a power tool. Do not use a power tool while you are tired or under the influence of medication, drugs or alcohol.
2. **Do not** over-reach. Keep your proper footing and balance at all times to enable better control of the machine in unexpected situations.
3. **ALWAYS** wear safety goggles, manufactured to the latest European Safety Standards. Everyday eyeglasses do not have impact resistant lenses, they are not safety glasses.
4. Never wear loose clothing or jewellery which could be caught on moving parts. Wear protective hair covering to contain long hair.
5. **ALWAYS** concentrate on the job in hand, no matter how trivial it may seem. Be aware that accidents are caused by carelessness due to familiarity.
6. **ALWAYS** keep your proper footing and balance at all times don't over-reach. For best footing, wear rubber soled footwear. Keep floor clear of oil, scrap wood, etc.

GENERAL POWER TOOL USE AND CARE

1. Always maintain the tool with care. Keep it clean for best performance.
2. **ALWAYS** ensure that the machine cannot be started inadvertently by using the ON/OFF switch whenever carrying out maintenance.
3. **ALWAYS** maintain machine in top condition. Keep tools/machines clean for the best and safest performance. Follow maintenance instructions.
4. **NEVER** modify this tool in any way. Use it **ONLY** for the purpose for which it is designed.
5. **ALWAYS** check for damage. Check for alignment of parts, breakages, or any condition that may affect the machine's operation. Any damage should be properly repaired or the part replaced. If in doubt, **DO NOT** use the machine. Consult your local dealer.
6. **ALWAYS** keep the mains cable well away from the machine and ensure an adequate electrical supply is close to hand so that the operation is not restricted by the length of cable.

7. Do not drag the machine by its electric cable, or yank the cable to disconnect it from the power supply.
8. **ALWAYS** ensure the switch is off before plugging into mains. Avoid accidental starting.
9. Do not use the machine if the ON/OFF switch does not turn it on and off. Any power tool that cannot be controlled with the switch is dangerous and must be repaired.
10. **NEVER** use power tools in damp or wet locations or expose them to rain. Do not use in explosive atmosphere (around paint, flammable liquids etc). Avoid a dangerous environment.
11. **DO NOT** allow the ventilation slots in the motor to become blocked.
12. **EARTH ALL MACHINES.** If the machine is equipped with a three-pin plug, it should be plugged into a three-pin earthed socket. **NEVER** remove the earth pin.
13. **ALWAYS** keep guards/covers in place and in a serviceable condition.
14. Store the tool out of reach of children and do not allow persons unfamiliar with these instructions to operate this power tool.

DUST EXTRACTOR SAFETY INSTRUCTIONS

1. **ALWAYS** ensure that the machine is properly positioned where necessary to prevent it from moving during operation, and that the immediate area is kept clear.
2. **ALWAYS** use a face or dust mask if operation is particularly dusty such as when disposing of the contents of the dust bags.
3. **ALWAYS** disconnect the machine from the power supply before servicing and when changing accessories, or removing & emptying dust bags etc
4. **NEVER** leave machine running unattended. Turn power off and wait for the machine to come to a complete stop before leaving.
5. **DO NOT** pick up flammable or readily combustible material, hot ashes, coals, burning cigarettes or other smoking substances etc. or use in the presence of explosive liquids or vapour.
6. **DO NOT** use in enclosed areas where flammable, explosive or toxic vapours are given off, by oil based paints, paint thinner, petrol etc.
7. **DO NOT** use if the electric cable, plug, collection bags or the motor is in poor condition.

SERVICING

1. Have all power tools serviced by a qualified repair technician, using only identical replacement parts. This will ensure the safety of the power tool is maintained.
2. **ALWAYS** use only replacement parts supplied by the manufacturer. The use of non standard parts could be hazardous.

ELECTRICAL CONNECTIONS

Connect this appliance to a 230 Volt, single phase 16 amp electrical supply through a suitably fused isolator.



WARNING: DO NOT CONNECT TO A DOMESTIC 13 AMP SUPPLY VIA A 13 AMP PLUG.

WARNING! THIS APPLIANCE MUST BE EARTHED

IMPORTANT: The wires in the mains lead are coloured in accordance with the following code.

Green & Yellow.....Earth

Blue.....Neutral

Brown.....Live

- Connect GREEN & YELLOW coloured cord to plug terminal marked with a letter "E" or Earth symbol "⏏" or coloured GREEN or GREEN & YELLOW.
- Connect BROWN coloured cord to plug terminal marked with a letter "L" or coloured RED.
- Connect BLUE coloured cord to plug terminal marked with a letter "N" or coloured BLACK.

We recommend that this machine is connected to the mains supply via a Residual Current Device (RCD)

If in any doubt, DO NOT attempt any connections or repairs yourself. Consult a qualified electrician, your local Clarke dealer or Clarke International on:

0208988 7400 or e-mail:Service@clarkeinternational.com

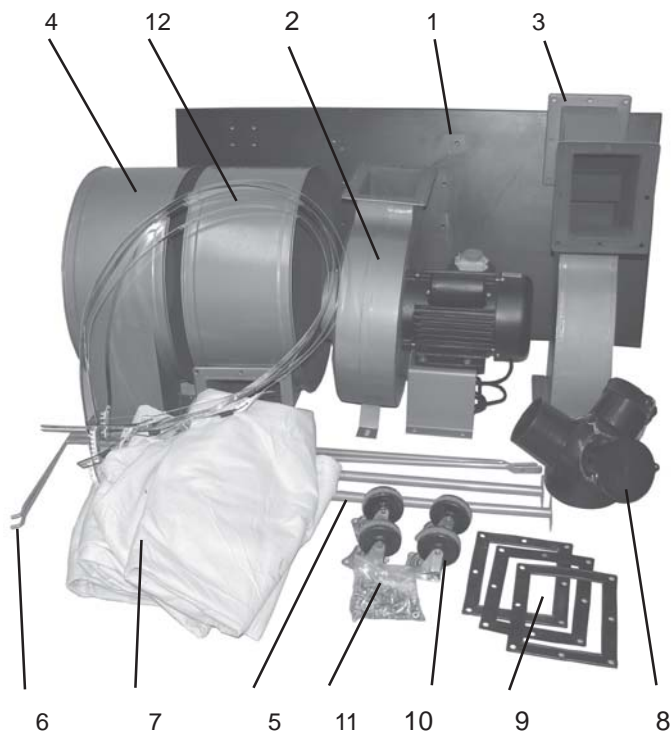
CABLE EXTENSION

Always use an approved extension cable suitable for the power rating of this tool. The conductor size should be at least the same size as that on the machine, or larger. When using cable reel always unwind the cable completely.

If a cable extension is needed, it is essential to comply with the following data

Voltage	Extension length	Cable section
230v	Up to 20m	2.5mm ²
230v	From 20 to 50m	4mm ²

OVERVIEW



1. Base plate
2. Collector body c/w fan motor & switch
3. 2- way connecting duct
4. Side collectors
5. Collector support
6. Upper bag support
7. Dust and filter bags
8. 3-way inlet shutter
9. Packing gaskets
10. Castor
11. Fixings pack
12. Bag clamping straps



UNPACKING & ASSEMBLY

IMPORTANT

Before commencing please check contents and advise immediately of any shortages.

FIGURES IN BRACKETS REFER TO DIAGRAM & PARTS LIST ON PAGES 13 & 14

- 1 x Motor, Fan & Collector Body Assembly c/w switch assembly
- 1 x Base Plate (4)
- 1 x Connecting Duct (19)
- 2 x Side Collector Bodies (24 & 21)
- 2 x Upright Collector Supports (23)
- 2 x Upper Bag Supports (26)
- 4 x Bag Clamping straps (36)
- 2 x Collector Bags (22)
- 2 x Filter Bags (27)
- 1 x 3-Branch Inlet / Adaptor (29)
- 3 x Packing Gaskets (seals) (28)
- 4 x Castors (1)
- 1 x Fixings Pack Fixings pack comprising 16 x Philips screws & nuts, 34 x short 13mm hex head, 4 x long 13mm hex head, 38 washers, 2 wrenches.
- 1 x Operating Instruction Manual (this document)

TOOLS REQUIRED

- Phillips Screwdriver
- 10 mm spanner
- 13mm spanner

ASSEMBLY

1. Attach the four castors to each corner of baseplate with the small bolts and cross headed screws provided and tighten with the 8mm spanner and phillips screwdriver. Fig 1.



Fig 1.

- Turn the baseplate the right way up, and with the collector body & fan/motor assembly in the position shown in Fig 2, secure it to the baseplate using the hex head screws and washers with the 13mm spanner.

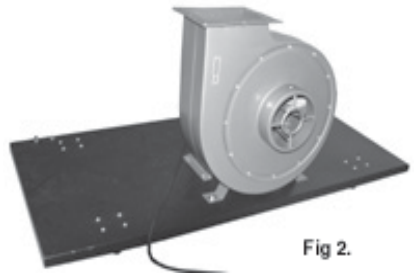


Fig 2.

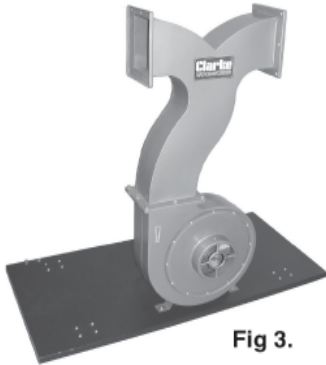


Fig 3.

- Place one packing gasket on the air outlet flange and attach the connecting duct to the collector body using eight hexagon headed screws and washers supplied as shown in Fig 3.

- Install the two side collectors to each outlet of the connecting duct as shown in Fig 4. The collectors are a left and right hand pair and are assembled with the internal cone pointing downwards. Position one packing gasket on each air outlet flange and attach each connecting duct to the collector body using eight hexagon headed screws and washers supplied.



Fig 4.

Ensure the side fixing holes at the side of each collector are directly above the fixing holes in the base plate.



Fig 5.

- Install the two lower supports as shown in Fig 5, using bolts/washers to secure them to the base and checking that the top fixing holes line up with the fixing holes in the collector bodies.

6. Fix the upper bag supports in position by bolting through the holes in the lower bag supports to secure both supports to the collector body shown in Fig 6.

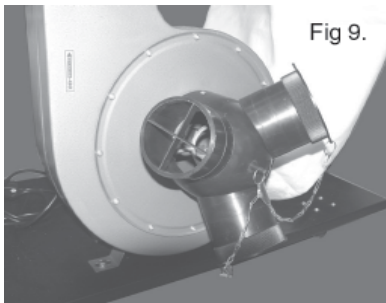
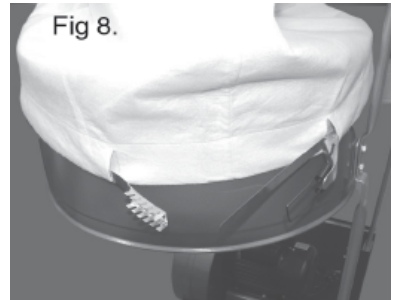


Fig 7.



7. Hang the two upper dust bags from the support rod arms as shown in Fig 7.

8. Slide the securing bands into the sleeve around the opening of the filter/collecting bags with the clasp components of the band pointing outwards.
9. Position the two filter bags and two collection bags over the collector bodies and secure in position with the band clasps as shown in Fig 8.



10. Slide the 3-way shutter/adaptor onto the intake opening of the fan/motor assembly shown in Fig 9 and secure with the single screw.

The dust collector unit is now assembled and ready to use.

Before connecting to a power source, ensure the power supply to be used is properly grounded and is of suitable voltage and amperage.

USING YOUR DUST COLLECTOR

OPERATION

DO NOT OPERATE WITHOUT ALL PARTS IN PLACE!

Do not attempt to clean, remove/attach dust bags or carry out any servicing to the unit whilst it is in operation, ALWAYS ensure it is switched off and isolated from the mains by removing the plug from the socket.



CAUTION : THE BLOWER HOUSING CONTAINS A HIGH SPEED FAN BLADE THAT COULD AMPUTATE FINGERS, GRAB LOOSE CLOTHING AND NECKTIES ETC, AND PROPEL DUST AT VERY HIGH VELOCITIES.

A suitable length of flexible hose can be fitted to the collector inlet using the 3-way adapter supplied, (item No 29 in the parts list on page 13). The collector can also be connected directly to the woodworking machine being used, using the appropriate hose and adapters which can be purchased separately from your nearest Clarke dealer.

To switch ON, press the switch cover (see fig 10) down and slide in direction of arrow and lift up, this will expose the ON/OFF buttons, (see fig 11) Push the ON button, (green button 'I'). DO NOT close the cover as this will switch the machine OFF again.



Fig. 10

NOTE: In case of emergency, close the switch cover quickly, cover will latch down and motor will be switched OFF. To switch OFF normally, press OFF button, (red button 'O'), always close cover to prevent accidental starting.



Fig. 11

MAINTENANCE

Always inspect the machine before use, and ensure it is in top condition.

Excessive dust in the motor can cause overheating, ensure all air vents are clear, to avoid eye injury or adverse reaction to dust, clean the machine by blowing out the air vents using low pressure compressed air where possible.

Check the power cable to ensure it is sound and free from cracks, bare wires etc. Avoid using solvents when cleaning plastic parts, most plastics are susceptible to damage from the various types of commercial solvents.

Occasionally it may be necessary to manually clean the fan, to do this proceed as follows.

1. Switch OFF and isolate from the main electrical supply by removing the plug from the socket, ensuring it is not possible to be plugged back in accidentally.
2. Remove the 12 screws securing the inlet cover and remove the cover to expose the fan.
3. Clean the fan using a brush, cleaning cloth, vacuum cleaner and/or low pressure compressed air.

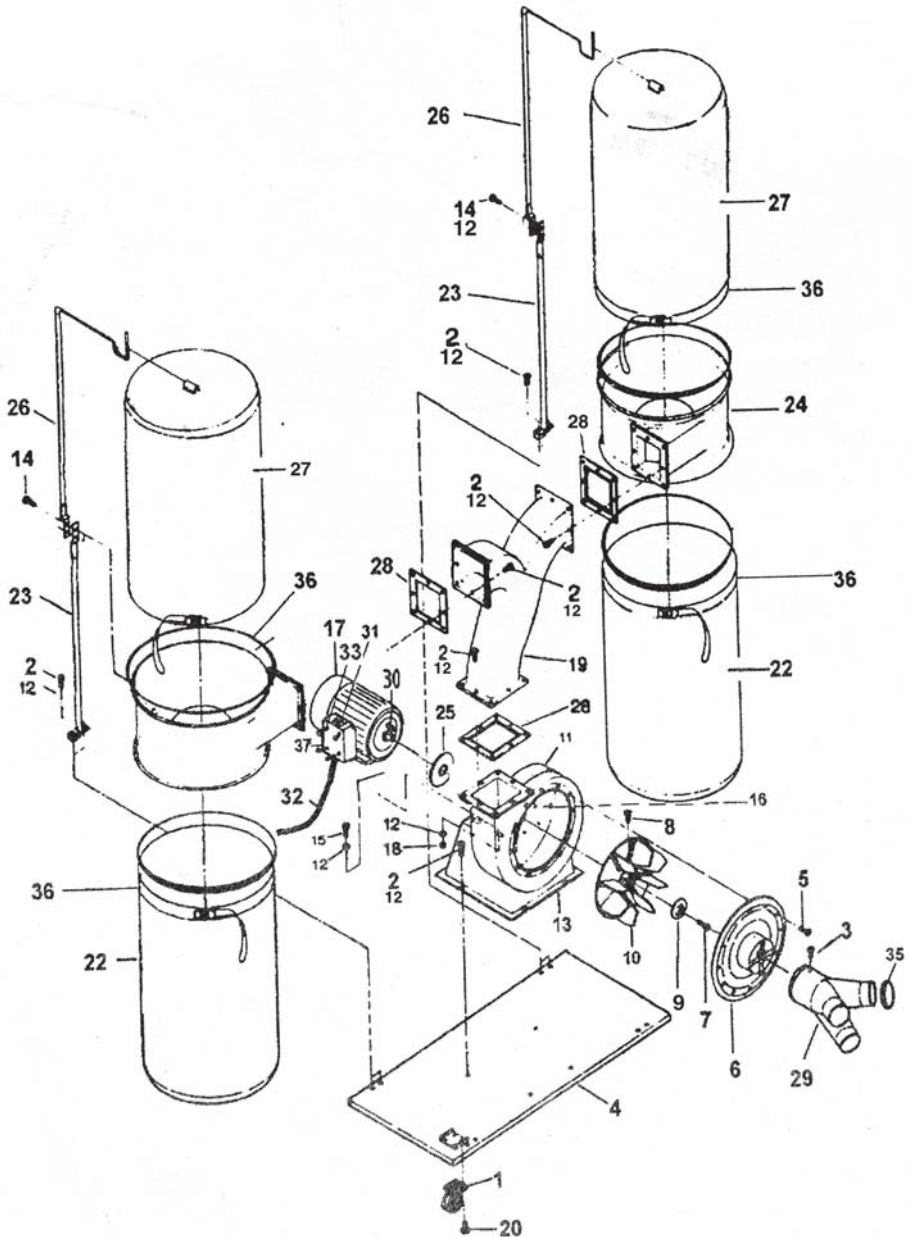


CAUTION: BEWARE OF SHARP EDGES. IF ANY SERVICING (OTHER THAN THE ABOVE CLEANING) BECOMES NECESSARY, IT SHOULD BE CARRIED OUT BY AN AUTHORISED SERVICE CENTRE.

TROUBLESHOOTING

Problem	Probable Cause	Suggested Remedy
Motor will not run.	1. Defective cable, switch and / or motor.	1. Consult your nearest Clarke dealer.
Excessive sawdust in the air.	1. Loose connectors. 2. Filter/dust bag worn or damaged.	1. Tighten connectors. 2. Replace bag.
Excessive impeller noise.	1. Impeller dirty. (dust buildup) 2. Loose or impeller rubbing.	1. Switch OFF and isolate from mains. Clean impeller. 2. Consult your nearest Clarke dealer.
Excessive noise.	1. Defective motor. 2. Loose fan.	1. Consult your nearest Clarke dealer.
Motor fails to develop full power.	1. Circuit overloaded. 2. Extension lead undersize, too long or not fully unwound.	1. Use on separate circuit. 2. Change extension lead.
Motor starts slowly fails to reach full speed.	1. Low voltage. 2. Windings burned out or open circuit.	1. Request voltage check from power company. 2. Have motor repaired or replaced.
Motor does not start when ON switch is pressed.	1. Switch contacts burnt. 2. Start capacitor faulty.	1. Have switch replaced. 2. Have capacitor replaced.

DUST COLLECTOR PARTS DIAGRAM



DUST COLLECTOR PARTS LIST

No	Item	Part No	Qty	No	Item	Part No	Qty
1	Castor	QBCDE85001	4	20	X-Head Screw	QBCDE85020	16
2	Hex hd Screw 13mm	QBCDE85002	34	21	L/H Collector	QBCDE85021	1
3	Screw	QBCDE85003	1	22	Collector Bag	QBCDE85022	2
4	Base Plate	QBCDE85004	1	23	Collector Support	QBCDE85023	2
5	x-Head screw	QBCDE85005	12	24	R/H Collector	QBCDE85024	1
6	Inlet Cover	QBCDE85006	1	25	Spacer	QBCDE85025	1
7	Hex Socket Hd Screw	QBCDE85007	1	26	Upper Bag Support	QBCDE85026	2
8	Hex Head Screw	QBCDE85008	1	27	Filter Bag	QBCDE85027	2
9	Washer	QBCDE85009	1	28	Packing Gasket	QBCDE85028	1
10	Fan	QBCDE85010	1	29	3-Way Inlet	QBCDE85029	1
11	Collector Body	QBCDE85011	1	30	Key	QBCDE85030	1
12	Washer	QBCDE85012	34	31	Start/Stop Switch	QBCDE85031	1
13	Motor Support	QBCDE85013	1	32	Power Cable	QBCDE85032	1
14	Hex hd Screw 18mm	QBCDE85014	4	33	Screw	QBCDE85033	2
15	Hex hd Screw	QBCDE85015	6	34	Screw	QBCDE85034	4
16	Bolt	QBCDE85016	4	35	Cap	QBCDE85035	1
17	Motor	QBCDE85017	1	36	Bag Clamp Strap	QBCDE85036	4
18	Nut	QBCDE85018	24	37	Switch Box	QBCDE85037	1
19	Outlet Duct	QBCDE85019	1	38	Round Hd Screw	QBCDE85038	4

IMPORTANT:

The use of parts other than CLARKE replacement parts may result in safety hazards, decreased tool performance and will invalidate your warranty. In the event of a situation requiring the dismantling and overhaul of the tool,, contact your CLARKE International Service Department on 020-8988-7400.

DECLARATION OF CONFORMITY



DECLARATION OF CONFORMITY

This is an important document and should be retained.



We declare that this product complies with the following directives:

89/336/EEC *Electromagnetic Compatibility directive, (amended 93/68/EEC).*

73/23/EEC *Low Voltage Equipment directive (amended by 93/68/EEC).*

The Following Standards have been applied to the product:

BS EN 55014-1:1993 +A1+A2 BS EN 55014-2:1997

BS EN 61000-3-11:2000 BS EN 61000-3-2: 1995+A1+A2+A14

The technical documentation required to demonstrate that the products meet the requirements of the Low Voltage Equipment directive has been compiled and is available for inspection by the relevant enforcement authorities.

The CE mark was first applied in: **2001**

Product Description: 3hp Dust Collector

Model number(s): CDE85

Serial / batch Number: Current Manufacture.

Date of Issue: 15/05/2008

Signed

A handwritten signature in black ink, appearing to read "Aiken".

A.C. AIKEN

Senior Manager Clarke International.

A SELECTION FROM THE VAST RANGE OF

Clarke®

QUALITY PRODUCTS



AIR COMPRESSORS
From DIY to industrial, Plus air tools,
spray guns and accessories.

GENERATORS
Prime duty or emergency standby
for business, home and leisure.

POWER WASHERS
Hot and cold, electric and engine
driven - we have what you need

WELDERS
Mig, Arc, Tig and Spot.
From DIY to auto/industrial.

METALWORKING
Drills, grinders and saws for DIY
and professional use.

WOODWORKING
Saws, sanders, lathes, mortisers
and dust extraction.

HYDRAULICS
Cranes, body repair kits,
transmission jacks for all types of
workshop use.

WATER PUMPS
Submersible, electric and engine driven
for DIY, agriculture and industry.

POWER TOOLS
Angle grinders, cordless drill sets,
saws and sanders..

STARTERS/CHARGERS
All sizes for car and commercial use.



PARTS & SERVICE: 0208 988 7400

E-mail: Parts@clarkeinternational.com or Service@clarkeinternational.com

SALES: UK 01992 565333 or Export 00 44 (0)1992 565335

Clarke INTERNATIONAL Hemnall Street, Epping, Essex CM16 4LG
www.clarkeinternational.com