

Clarke®



1500W BENCH TOP SHAPER

MODEL NO: CBTSR

PART NO: 6462079

OPERATION & MAINTENANCE INSTRUCTIONS



ORIGINAL INSTRUCTIONS

LS0320 - ISS 5

INTRODUCTION

Thank you for selecting this Clarke Bench Top Shaper.

The machine is ideal for shaping wood and plastic and also for cutting out knots, cutting grooves, removing recesses, copying curves and logos, etc. The machine must not be used on metal, stone, etc.

Please note that setting up and adjustment of this product ideally requires some experience of working with this type of equipment.

GUARANTEE

The machine is guaranteed against faulty manufacture for a period of 12 months from the date of purchase. Your receipt is required as proof of purchase.

This guarantee is invalid if the machine is found to have been abused, tampered with, or not used for the purpose for which it was intended.

Faulty goods must be returned to their place of purchase, it must not be returned to us without prior permission.

This guarantee does not effect your statutory rights.

ENVIRONMENTAL PROTECTION







Through purchase of this tool, the customer is taking on the obligation to deal with the WEEE in accordance with the WEEE regulations in relation to the treatment, recycling & recovery and environmentally sound disposal of the WEEE.

In effect, this means that this tool must not be discarded with general waste. Refer to the laws governing Waste Electrical and Electronic Equipment (WEEE) at a recognised disposal facility.

SPECIFICATIONS

Item	Item Specification
Operating Voltage and Frequency	230V ~ @ 50 Hz
Rated Input Wattage:	1500W
Table Size (with extension) L x W (mm)	1030 x 360 mm
Speeds	11500 rpm to 24500 rpm
Spindle height adjustment	0 - 40 mm
Max Dimension of workpiece (L x W x H)	650 x 160 x 65 mm
Table Insert Sizes	32/47/55 mm
Dust extractor Diameter	Adaptor: Outer Dia: 100 mm Inner Dia: 93 mm Rear of the fence: Outer Dia: 70 mm Inner Dia: 57.5 mm
Sound Power LpA	93 dB
Sound Power Guaranteed LWA	106 dB
Product Weight (Unpacked):	20.3 kg

SAFETY SYMBOLS

	Read instruction manual before use		Wear ear defenders
	Wear safety glasses		Wear a breathing mask.

GENERAL POWER TOOL SAFETY WARNINGS



**WARNING: READ ALL SAFETY WARNINGS AND ALL INSTRUCTIONS.
FAILURE TO FOLLOW THE WARNINGS AND INSTRUCTIONS MAY RESULT IN
ELECTRIC SHOCK, FIRE AND/OR SERIOUS INJURY.**

Save all warnings and instructions for future reference.

1. Keep the work area tidy.
 - Clutter in the work area can lead to accidents.
2. Take environmental influences into account.
 - Do not expose electric tools to rain.
 - Do not use electric tools in a damp or wet environment.
 - Make sure that the work area is well-illuminated.
 - Do not use electric tools where there is a risk of fire or explosion.
3. Protect yourself from electric shock.
 - Avoid physical contact with earthed parts (e.g. pipes, radiators, electric ranges, cooling units).
4. Keep other persons away.
 - Do not let persons, especially children, not involved in the work touch the tool or the extension cord and keep them away from the work area.
5. Securely store unused electric tools.
 - Unused electric tools should be stored in a dry, elevated or closed location out of the reach of children.
6. Do not overload your electric tool.
 - They work better and more safely in the specified output range.
7. Use the correct electric tool.
 - Do not use low-output electric tools for heavy work.
 - Do not use the electric tool for purposes for which it is not intended. For example, do not use handheld circular saws for the cutting of branches or logs.
8. Wear suitable clothing.
 - Do not wear wide clothing or jewelry, which can become entangled in moving parts.
 - When working outdoors, anti-slip footwear is recommended.

- Tie long hair back in a hair net.
9. Use protective equipment.
 - Wear protective goggles.
 - Wear a mask when carrying out dust-creating work.
 10. Connect the dust extraction device if you will be processing wood, materials similar to wood, or plastics.
 - If connections for dust extraction and a collecting device are present, make sure that they are connected and used properly.
 - When processing wood, materials similar to wood, and plastics. Operation in enclosed spaces is only permitted with the use of a suitable extraction system.
 11. Do not use the cable for purposes for which it is not intended.
 - Do not use the cable to pull the plug out of the outlet. Protect the cable from heat, oil and sharp edges.
 12. Secure the workpiece.
 - Use the clamping devices or a vice to hold the workpiece in place. In this manner, it is held more securely than with your hand.
 - An additional support is necessary for long workpieces (table, trestle, etc.) in order to prevent the machine from tipping over.
 - Always press the workpiece firmly against the working plate and stop in order to prevent bouncing and twisting of the workpiece.
 13. Avoid abnormal posture.
 - Make sure that you have secure footing and always maintain your balance.
 - Avoid awkward hand positions in which a sudden slip could cause one or both hands to come into contact with the cutter bit.
 14. Take care of your tools.
 - Keep cutting tools sharp and clean in order to be able to work better and more safely.
 - Follow the instructions for lubrication and for tool replacement.
 - Check the connection cable of the electric tool regularly and have it replaced by a recognised specialist when damaged.
 - Check extension cables regularly and replace them when damaged.
 - Keep the handle dry, clean and free of oil and grease.

15. Pull the plug out of the outlet.

- Never remove loose splinters, chips or jammed wood pieces from the running cutter bit.
- When the cutter bit is blocked due to abnormal feed force during cutting, turn the machine off. Remove the work piece and ensure that the cutter bit runs freely. Turn the machine on and start a new cutting operation with less feed force.

16. Do not leave tools inserted in the machine.

- Before switching on, make sure that adjusting tools are removed.

17. Avoid inadvertent starting.

- Make sure that the switch is switched off when plugging the plug into an outlet.

18. Stay Alert.

- Pay attention to what you are doing. Remain sensible when working. Do not use the electric tool when you are distracted or tired.

19. Check the electric tool for potential damage.

- Protective devices and other parts must be carefully inspected to ensure that they are fault free and function as intended prior to continued use of the electric tool.
- Check whether the moving parts function faultlessly and do not jam or whether parts are damaged. All parts must be correctly mounted and all conditions must be fulfilled to ensure fault free operation of the electric tool.
- The moving protective hood may not be fixed in the open position.
- Damaged protective devices and parts must be properly repaired or replaced.
- Do not use any faulty or damaged connection cables.
- Do not use any electric tool on which the switch cannot be switched on and off.

20. ATTENTION!

- The use of other tools or accessories than recommended items can have a risk of injury.

21. Have your electric tool repaired by a qualified electrician.

- This electric tool conforms to the applicable safety regulations. Repairs may only be performed by an electrician using original spare parts. Otherwise accidents can occur.

The operator must always stand in front of the machine to avoid danger.

ADDITIONAL SAFETY INSTRUCTIONS

1. Check that the cutters are in perfect condition before use.
2. Use table insert rings appropriate for the size of the cutters.
3. Always wear suitable personal protective equipment. This includes:
 - Hearing protection to avoid the risk of becoming hearing impaired.
 - Respiratory protection to avoid the risk of inhaling harmful dust.
 - Wear safety goggles to avoid eye injuries due to ejected parts.
4. There is the possibility of injury when handling the cutters and rough materials due to sharp edges.
5. When working with wood, the operator must be informed of the conditions that affect the release of dust, e.g. the type of material to be processed, the significance of local separation (collection or source) and the correct setting of the hood/guide plates/guides.
6. Support long workpieces sufficiently to hold their position.
7. Possible rebound, a sudden reaction due to the guide for a small workpiece being out of control.
8. Use additional equipment, such as horizontal pressure devices, when processing narrow workpieces.
9. Tools that have not been maintained can trigger uncontrollable situations. Only use sharp, maintained milling tools in accordance with the tool manufacturer's specifications.
10. Before changing cutters or making adjustments, switch off the machine and unplug the power plug.
11. Select a rotational speed that is suitable for the milling tool and material used.
12. Do not lift the machine by the extension tables.

RESIDUAL RISKS

The machine is built according to the state of the art and the recognized safety-relevant regulations. Nevertheless individual residual risks can occur during work.

- Danger of injury to fingers and hands by the tool due to inappropriate guidance of the work piece.
- Injuries caused by work piece flying off due to inappropriate mounting plate or guidance, such as working without notice.
- Health hazard by forms of wood dust or wood chips. Wear personal protection equipment, such as eye protection. Use ventilation system!
- Injuries by defective tools. Examine the tool regularly for soundness.
- Danger of injury to fingers and hands during tool change. Wear suitable working gloves.
- Danger of injury when switching on the machine with the starting tool.
- Hazard due to current by use of incorrect electrical connecting cables.
- Health hazard due to the tool because of long hair and loose clothes. Wear personal protection equipment, such as hair net and closely fitting work clothes.
- Residual risks can be minimized if the “safety instructions” and the “intended use” as well as the operating instructions are followed in full.

ELECTRICAL CONNECTIONS



WARNING! READ THESE ELECTRICAL SAFETY INSTRUCTIONS FULLY BEFORE CONNECTING THE MACHINE TO THE MAINS SUPPLY.

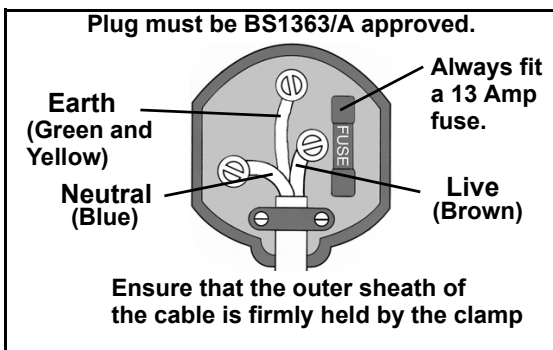
This machine is provided with a standard 13 amp, 230 volt (50Hz), BS 1363 plug, for connection to a standard, domestic electrical supply. Should the plug need changing, make sure that a plug of identical specification is used.



WARNING! THE WIRES IN THE POWER CABLE OF THIS PRODUCT ARE COLOURED IN ACCORDANCE WITH THE FOLLOWING CODE: BLUE = NEUTRAL BROWN = LIVE YELLOW AND GREEN = EARTH

If the colours of the wires in the power cable do not agree with the markings on the plug:

- Connect the **blue** wire to the terminal which is marked **N**.
- Connect the **brown** wire to the terminal which is marked **L**.
- Connect the **yellow and green** wire to the terminal which is marked **E** or



We strongly recommend that this machine is connected to the mains supply through a Residual Current Device (RCD)

If you are not sure, consult a qualified electrician. **DO NOT** try to do any repairs.

CABLE EXTENSION

Always use an approved cable extension suitable for the power rating of this tool (see specifications), the conductor size should also be at least the same size as that on the machine, or larger. When using a cable reel, always unwind the cable completely

ASSEMBLY



WARNING: BEFORE CARRYING OUT ANY ADJUSTMENT OR MAINTENANCE, MAKE SURE THAT THE MACHINE IS DISCONNECTED FROM THE MAINS SUPPLY.

MOUNTING THE MACHINE

It is recommended to fix the machine to a work bench using the four holes provided.

1. Holes must be drilled in the workbench which align with those on the machine base.
2. Each corner must be secured to the workbench using nuts and bolts long enough to go through the workbench (not supplied).
3. The workbench must be large enough to prevent tilting of the shaper when working.

THE MOULDING FENCE

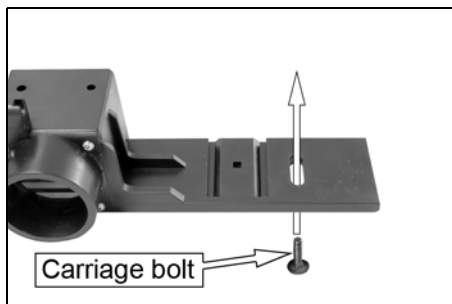
The moulding fence has been shipped in the carton disassembled.

Before starting work, it must be assembled and fitted onto the working table.

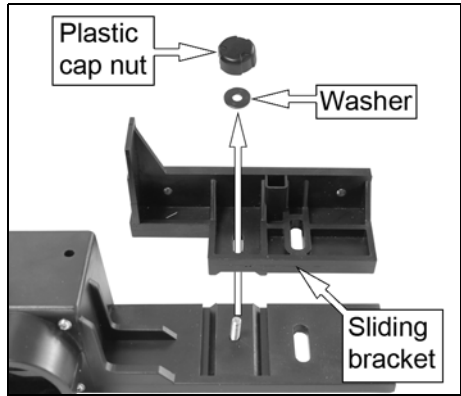
FITTING THE SLIDING BRACKET ONTO THE FENCE

Parts needed for this step		
1 x	Sliding bracket	
1 x	Carriage bolt	M6 x 25
1 x	Plastic cap nut	M6
1 x	Washer	6mm

1. Insert the carriage bolt into the fence from below as shown.



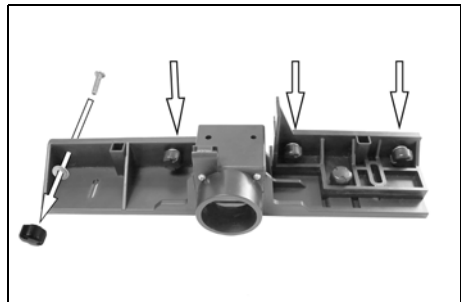
- Drop the sliding bracket over the bolt so that it sits in the grooves on the fence.
- Secure in place using the washer and plastic cap nut.



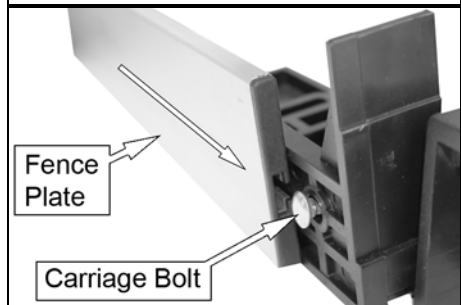
FITTING THE FENCE PLATES

Parts needed for this step		
4 x	Carriage bolt	M6 x 25
4 x	Plastic cap nut	M6
4 x	Washers	6mm
2 x	Fence plates	

- Insert the 4 carriage bolts into the attachment holes and screw them on finger tight with a washer and a plastic cap nut.



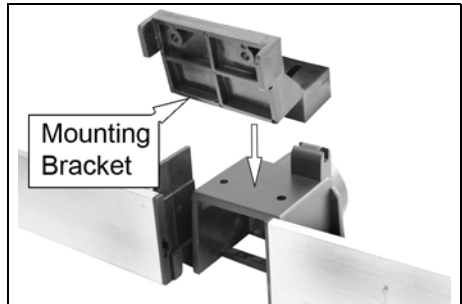
- Slide the fence plates over the carriage bolt heads.
 - Make sure that the fence plates are at the same height.
- Tighten the plastic cap nut to lock the fence plates in position.



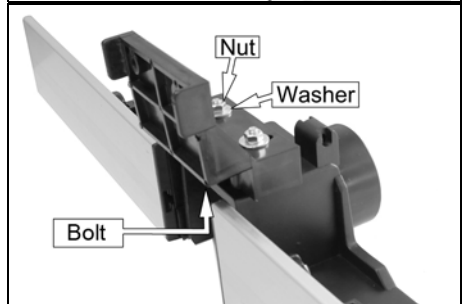
FITTING THE DOWNWARD PRESSURE BAR

Parts needed for this step		
1 x	Mounting Bracket	
2 x	Bolt	M6 x 40
2 x	Nut	M6
4 x	Washers	6mm
1 x	Pressure Bar	
2 x	Carriage Bolts	M6 x 35
2 x	Wingnuts	M6

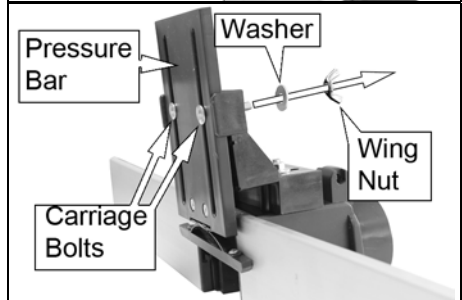
1. Fit the mounting bracket to the central part of the main fence as shown.



2. Secure in place using 2 x M6 x 40 bolts (from below), 2 washers and 2 x M6 nuts supplied.



3. Position the pressure bar and lock in position using the 2 carriage bolts, 2 washers and 2 wing nuts provided.

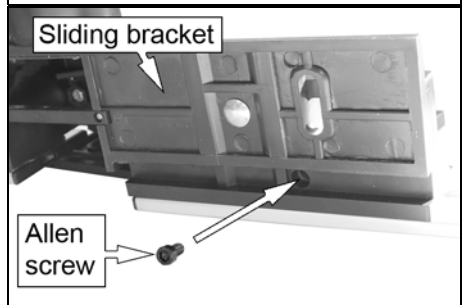
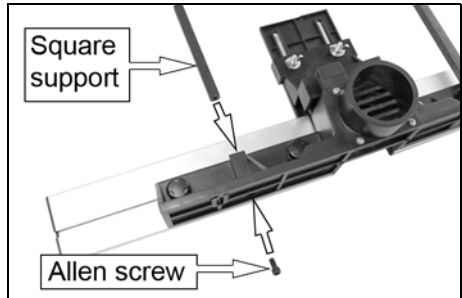


FITTING THE PRESSURE PADS

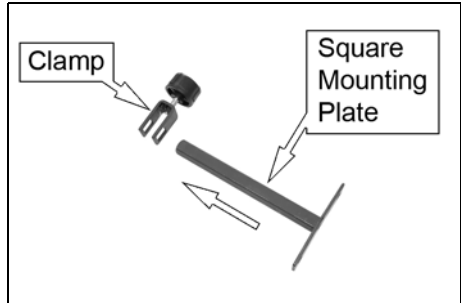
Parts needed for this step		
2 x	Pressure pads	
2 x	Square mounting plate	
2 x	Square supports	
2 x	Clamp	
2 x	Allen screws	M6 x 12
2 x	Plastic cap screws	M6 x 20
4 x	Carriage bolts	M6 x 35
4 x	Plastic cap nuts	M6
4 x	Washers	6mm

1. Insert the 2 square supports in the 2 square sockets on the main part of the fence.
2. Secure them with the 2 Allen screws from below.

NOTE: You will need to slide the sliding bracket forward to gain access to one of the holes.

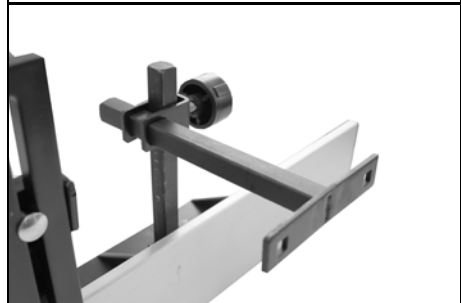


3. Slide the square mounting plate into the clamp as shown.

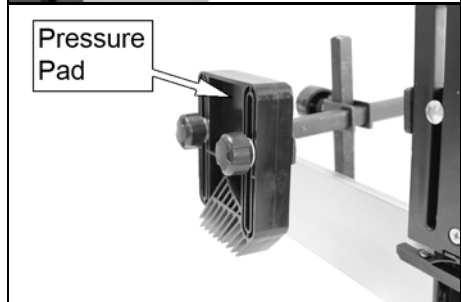


4. Slide the clamp over the square support as shown.

5. Secure in place by tightening the knob on the clamp.



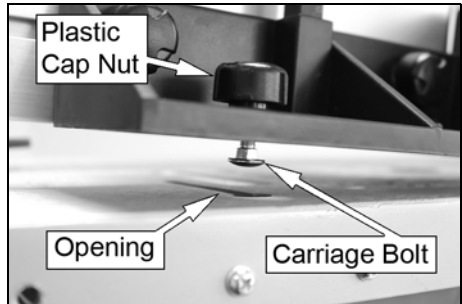
6. Fit the pressure pads to the square mounting plates using 4 carriage bolts, 4 washers and 4 plastic cap nuts.



FITTING THE MOULDING FENCE ONTO THE WORKING TABLE

Parts needed for this step		
1 x	Carriage bolt	M6 x 20
1 x	Carriage bolt	M6 x 40
2 x	Plastic cap nuts	M6
2 x	Washers	6mm

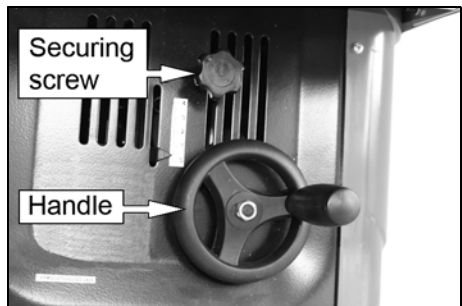
1. Fix the 2 plastic cap screws into the grooves in the moulding fence using the washers and carriage bolts as shown.
 - The longer carriage bolt goes on the right, when viewing the fence from the rear.
2. Put the tops of the carriage bolts through the opening in the table.
3. Position the moulding fence as required and tighten the plastic cap nuts.



FITTING THE HANDLE

Parts needed for this step		
1 x	Handle	
1 x	Nut	M8

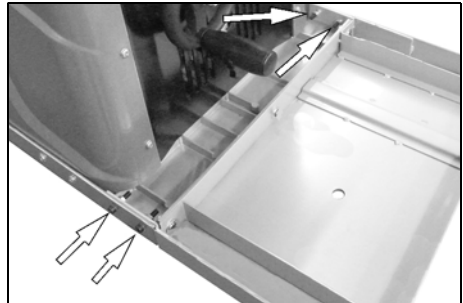
1. Slide the handle over the shaft making sure it engages with the pin.
2. Secure in place using the nut supplied.



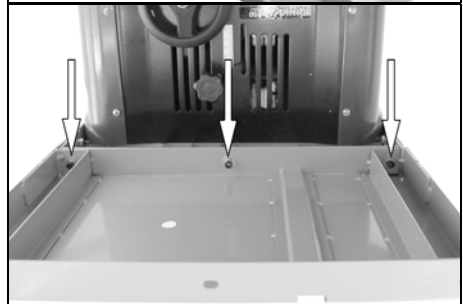
FITTING THE TABLE EXTENSION

Parts needed for this step		
8 x	Allen screws	M5 x 20
6 x	Allen screws	M5 x 12
8 x	Small Washers	5mm
6 x	Large Washers	5mm
8 x	Hexagonal nuts	M5
14 x	Spring washers	5mm

1. Remove the fence and flip the unit upside down onto a smooth flat surface
2. Attach the extension table to both sides with 4 allen screws M5 x 20, 4 washers, 4 spring washers and 4 hexagonal nuts M5.
 - Make sure that the channel on top of the extension table lines up with the main table.



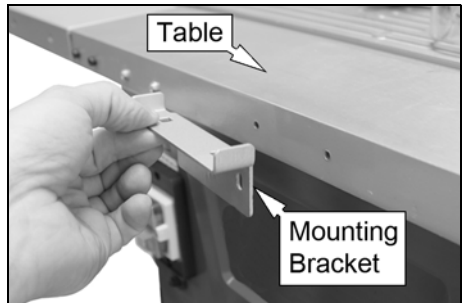
3. Also secure using 3 allen screws M5 x 12, 3 large washers and 3 spring washers each.
4. Align the table and tighten all screws.
5. Repeat for the other table extension.
6. Flip the unit the right way up again (with assistance if required) and replace the fence.



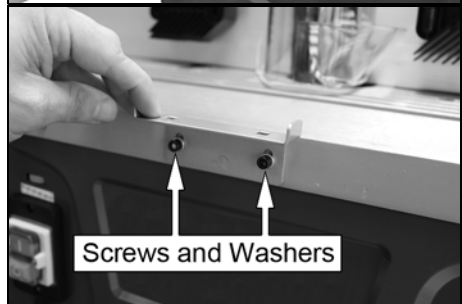
FITTING THE KICKBACK SAFETY FENCE

Parts needed for this step		
1 x	Kickback safety fence	
1 x	Mounting bracket	
2 x	Recessed head screws	M5 x 10
2 x	Washers	5mm
2 x	Spring washers	5mm
2 x	Carriage bolts	M6 x 25
2 x	Washers	6mm
2 x	Wing nuts	M6

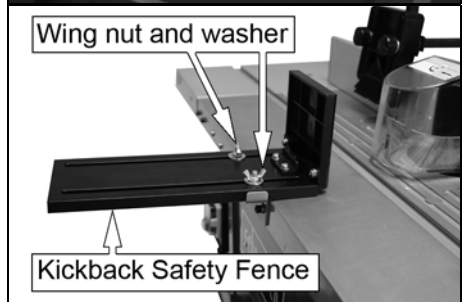
1. Align the mounting bracket with the two holes on the front of the table.



2. Insert the two recessed head screws, 2 x 5mm spring washers and 2 washers into the holes, and tighten.



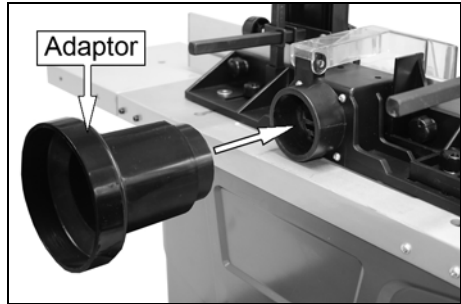
3. Install the kickback safety fence
 - You can adjust the fence to the thickness of the work piece.
4. After setting, fix it in place with the help of the two carriage bolts, 2 washers and 2 wing nuts.



CONNECTION OF A DUST EXTRACTOR

Slide the suction hose of the dust extractor unit onto the dust extraction port at the rear of the moulding fence.

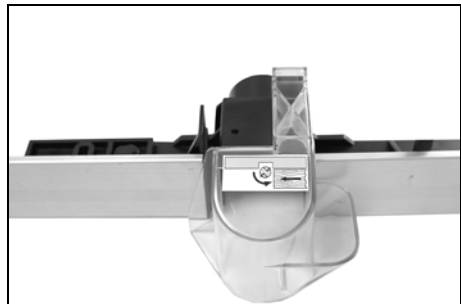
- For hoses with a dia. of 100 mm, an adaptor is supplied.



FITTING THE TRANSPARENT TOOL GUARD

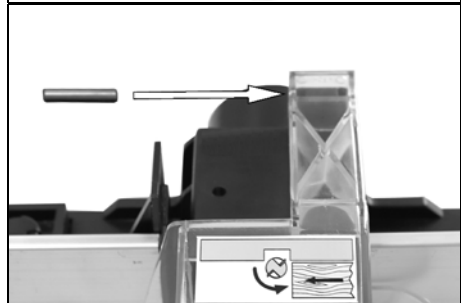
1. Remove downward pressure bar and bracket shown on page 12.

2. Place transparent tool guard in position as shown.



3. Insert pin to secure.

- Check to see the guard functions correctly before use.



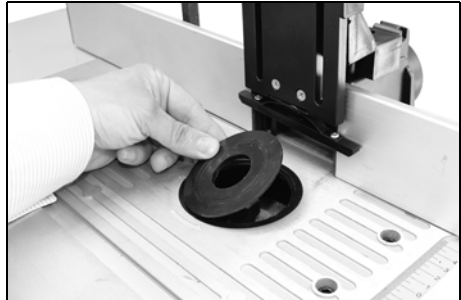
BEFORE USE

INSTALLING AND CHANGING THE COLLETS AND CUTTER HEADS

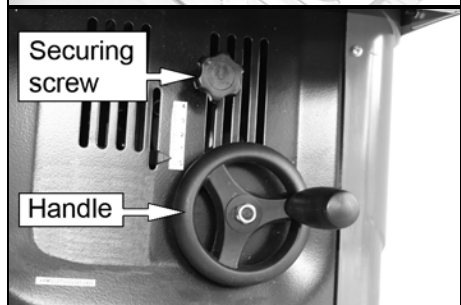


WARNING: BEFORE CARRYING OUT ANY ADJUSTMENT OR MAINTENANCE, MAKE SURE THAT THE MACHINE IS DISCONNECTED FROM THE MAINS SUPPLY.

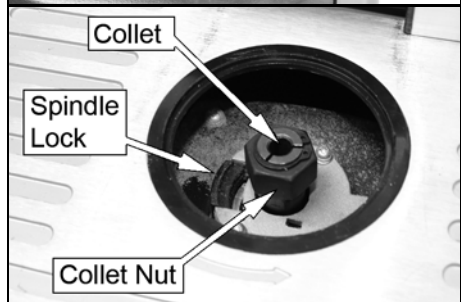
1. Remove the insert rings from the table.



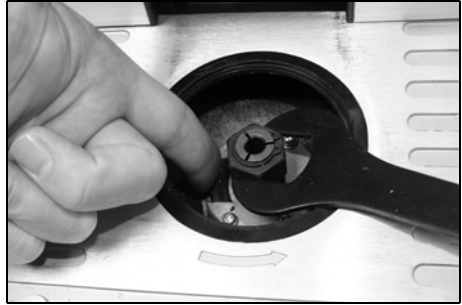
2. Loosen the securing screw and use the handle to raise the spindle to its highest position.



3. Press and hold the Spindle Lock button.



4. Loosen the collet nut using the spanner provided and remove the cutter and collet nut if required.
5. Insert the required collet/collet nut and tighten it slightly.
6. Insert the cutter into the collet.
 - At least 3/4 of the cutter shank must be in the collet before tightening.
7. Press and hold the spindle lock button and tighten the collet nut securely.
 - Before every use of the machine make sure that the cutting tool is firmly clamped to the end of the spindle.
8. Place the insert rings back in to their original position.
 - The insert rings must be used in order to keep the spacing between table and cutter to a minimum. Only fit enough insert rings so as to allow the cutter to come through the surface of the table without touching the rings.
 - Before switching on check the insert rings are seated correctly
9. Reconnect the machine to the power supply.



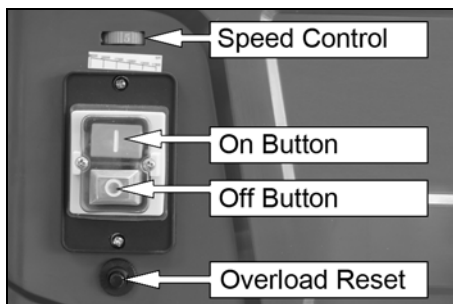
ADJUSTMENTS

SPEED CONTROL

The speed control has 6 speeds.

Determine the optimal setting by testing on a scrap piece of wood.

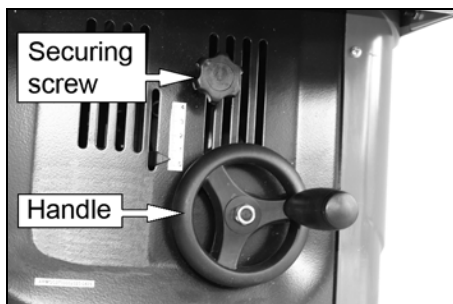
NOTE: The use of the correct setting will increase the life-span of the cutter. It, also affects the quality of the cut.



RAISING/LOWERING THE CUTTER

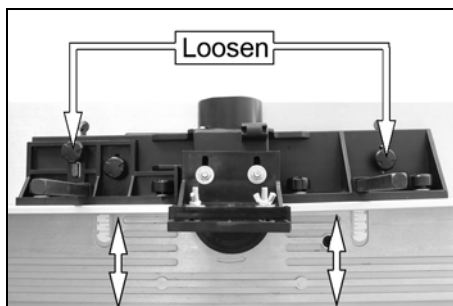
To raise or lower the spindle height.

1. Loosen the securing screw.
2. Use the handle to raise or lower the spindle to the required height.
3. Tighten the securing screw.



ADJUSTING THE FENCE

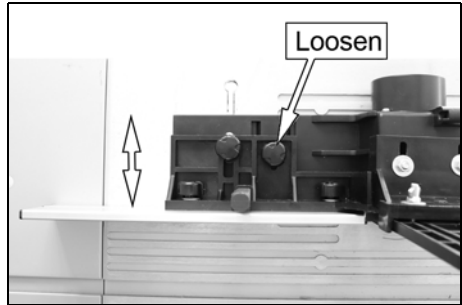
1. Loosen the plastic cap screws shown on the back of the fence.
2. Move the fence to the desired position.
3. Re-tighten the plastic cap screws to keep the fence in this position.



OUTFEED FENCE OFFSET

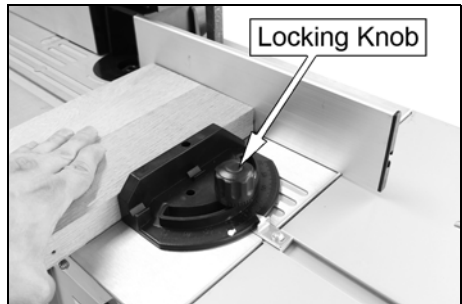
Once the workpiece passes the cutter, it may be thinner than when it started. If so you should adjust the left fence to compensate for the missing material.

1. Loosen the plastic cap screws.
2. Move the left fence towards you slightly and tighten the plastic cap screws.



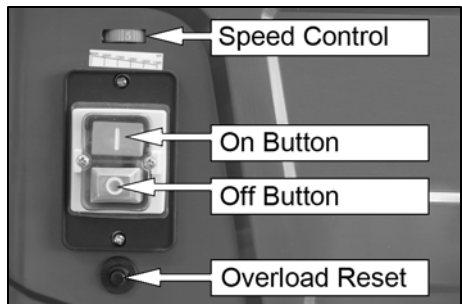
ADJUST THE CROSS-CUTTING JIG

1. Loosen the locking knob
2. Set to the desired angle.
3. Tighten the locking knob
 - Always make a sample cut in a piece of waste material in order to guarantee that the angles are correct.



SWITCHING ON AND OFF

- Press the Green ON (I) button to start the machine.
- Press the Red OFF (O) button to stop the machine



USING THE MACHINE

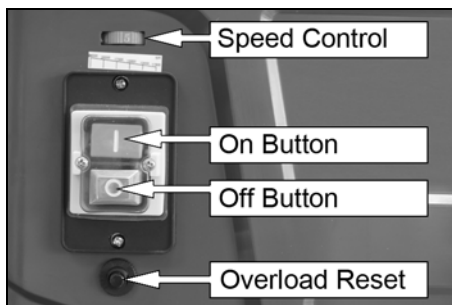
1. Insert an appropriate cutting bit.
2. Adjust the speed, and adjust the fence in such a way that the material is supported along its entire length.
3. Switch the machine on by pressing the green ON (I) button.
4. Make sure the work piece is firmly pressed against the fence.
5. Push the work piece softly from right to left against the turning direction of the cutting bit.
 - Keep your speed constant. Do not push too fast – it would slow down the motor too much.
 - Feeding the work piece too fast will result in poor cutting quality. There is also the risk of damaging the cutting bit or the motor.
 - Feeding the work piece too slow will result in burnt spots on the work piece.
 - The correct intake speed depends on the cutter size, the material type of the work piece, and the cutting depth. It is recommended to practise first with a piece of scrap wood in order to determine the correct speed.
6. With very hard wood and important cuts it may be better to work progressively, taking several shallow cuts until the desired depth is achieved.
7. Switch the machine off by pressing the red OFF (O) button.

OVERLOAD SWITCH

The machine is fitted with an overload switch to protect the motor.

In the event of an overload situation, the machine will cut out automatically.

After a short time press the overload reset button to reset the machine.



MAINTENANCE AND SERVICING



WARNING: BEFORE CARRYING OUT MAINTENANCE, MAKE SURE THAT THE MACHINE IS DISCONNECTED FROM THE MAINS SUPPLY.

CLEANING

- Keep all safety devices, air vents and the motor housing free of dirt and dust. Wipe the equipment with a clean cloth or blow it with compressed air at low pressure (always wear PPE when using compressed air).
- We recommend that you clean the machine as soon as you have finished using it.
- Do not use cleaning agents or solvents; these could attack the plastic parts of the machine.
- Make sure that no water can seep into the machine. The ingress of water into an electric tool increases the risk of an electric shock.
- Never spray water on the machine!

CUTTING BIT

- Resin must be cleaned off the cutting bits at regular intervals with an appropriate resin remover.

STORAGE

- Store the bench top shaper and accessories out of children's reach in a dark and dry place at above freezing temperature. The ideal storage temperature is between 5 and 30 °C.
- Store the bench top shaper in its original packaging.
- Cover the bench top shaper in order to protect it from dust and moisture.
- Store the operating manual with the bench top shaper.

DECLARATION OF CONFORMITY



Clarke[®]
INTERNATIONAL

Hemnall Street, Epping, Essex CM16 4LG

DECLARATION OF CONFORMITY

This is an important document and should be retained.

We hereby declare that this product(s) complies with the following directive(s):

2014/30/EU *Electromagnetic Compatibility Directive.*
2006/42/EC *Machinery Directive.*
2011/65/EU *Restriction of Hazardous substances.*

The following standards have been applied to the product(s):

EN 61029-1:2009+A11:2010, EN 61029-2-8:2010, EN 55014-1:2017, EN 55014-2:2015,
EN 61000-3-2:2014, EN 61000-3-11:2000.

The technical documentation required to demonstrate that the product(s) meet(s) the requirement(s) of the aforementioned directive(s) has been compiled and is available for inspection by the relevant enforcement authorities. Annex IV: Notified Body: TUV SUD Product Service GmbH, Ridlerstrabe 65, D-80339 Munchen, Germany. EC Type-Examination Certificate No.: M6A 16 09 11284 108. Notified Body No.: 0123

The CE mark was first applied in: 2020

Product Description: 1500W Bench Top Shaper / Router
Model number(s): CBTSR
Serial / batch Number: N/A
Date of Issue: 27/02/2020

Signed:

J.A. Clarke
Director

OTHER ITEMS IN THE CLARKE RANGE



CFWB1 Folding Workbench

- 770mm working height
- Supports loads up to 150kg



CSM5100BL 100kg Boltless Steel Shelving

- Tough steel frame
- Quick and easy assembly
- Dims (WxDxH): 900 x 400 x 1800mm



CMFT220 Multi Tool with Accessory Kit

- Includes sanding pad, 3 sanding sheets, 2 cutting blades, scraper blade & side handle for extra control



CMFT300QR Multi Tool with Quick Release & Accessory Kit

- Includes sanding pad, 3 sanding sheets, 2 cutting blades & scraper blade



CONS18LiC 18V Li-ion Nailer/Stapler

- Average drive speed: 60 nails/min
- 18V 2.0Ah power pack
- Includes battery charger & carrying case



CR1200 1200W Router

- Maximum plunge depth: 55mm
- Dust extraction facility



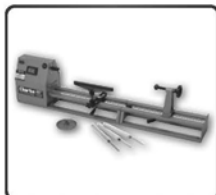
CMPS2 Multi-Purpose Sharpener

- Sharpens 3-10mm drills, 6-51mm wide chisels & plane blades



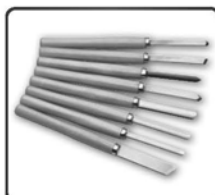
SV2 Clear Moulded Flip Visor

- Full face visor
- Conforms to EN66



CWL1000B 1000mm Wood Lathe

- 4 speed
- Includes tool rest, tail stock, drive centre, face plate & 3 chisels



CHT874 8 Piece Wood Turning Chisel Set

- Coated wooden handles
- Hardened and tempered steel blades



CMS250S 250mm Sliding Mitre Saw

- Max. depth of cut: 85mm
- Max. cross cut capacity: 250mm
- Laser cutting guide



CMS210S 210mm Sliding Mitre Saw

- Max depth of cut 210mm
- Laser cutting guide

OTHER ITEMS IN THE CLARKE RANGE



CARS1 Adjustable Roller Stand

- Maximum load 60kg
- Smooth 280mm ball bearing roller



CARS3IN1 Adjustable 3-In-1 Roller Stand

- Maximum load 60kg
- Working height: 760 – 1000mm



CMS650 650mm Manual Sweeper

- 14Litre capacity
- 4 brushes – 2 rolling mills & 2 side brushes



CMS850 850mm Manual Sweeper Large

- 30Litre capacity
- 4 brushes – 2 rolling mills & 2 side brushes



CTS16 10" (250mm) Table Saw Including Stand

- Motor: 1600W
- Maximum cut 90°/45°: 73/53mm



CBS250B 10" (250mm) Woodworking Bandsaw

- Throat depth: 245mm
- Running speed: 730m/min



CSR310 310W Sanding Roller

- 6 speed settings
- 4 position spark deflecting shield
- 10mm & 60mm width lamella (flapper) roll & 60mm sanding roll



CSS400D 16" Scroll Saw

- Variable speed 400 – 1600rpm
- 406mm throat depth with 50mm cutting height



CBS1-5B 1" x 5" Belt & Disc Sander

- Belt size: 25 x 762mm
- Disc table diameter: 148mm



CDJ2 Dowelling Jig

- Designed for drilling 6, 8 & 10mm dowel holes
- Used for edge, T-shaped, and L-shaped joints



CWVE1 Vacuum Dust Extractor

- 50 Litre Capacity
- Flow rate: 183m³/h



CDE35B Portable Dust Extractor & Chip Collector

- 56 Litre Capacity
- Flow rate: 850m³/h

A SELECTION FROM THE VAST RANGE OF

Clarke®

QUALITY PRODUCTS

AIR COMPRESSORS

From DIY to industrial, Plus air tools, spray guns and accessories.

GENERATORS

Prime duty or emergency standby for business, home and leisure.

POWER WASHERS

Hot and cold, electric and engine driven - we have what you need

WELDERS

Mig, Arc, Tig and Spot. From DIY to auto/industrial.

METALWORKING

Drills, grinders and saws for DIY and professional use.

WOODWORKING

Saws, sanders, lathes, mortisers and dust extraction.

HYDRAULICS

Cranes, body repair kits, transmission jacks for all types of workshop use.

WATER PUMPS

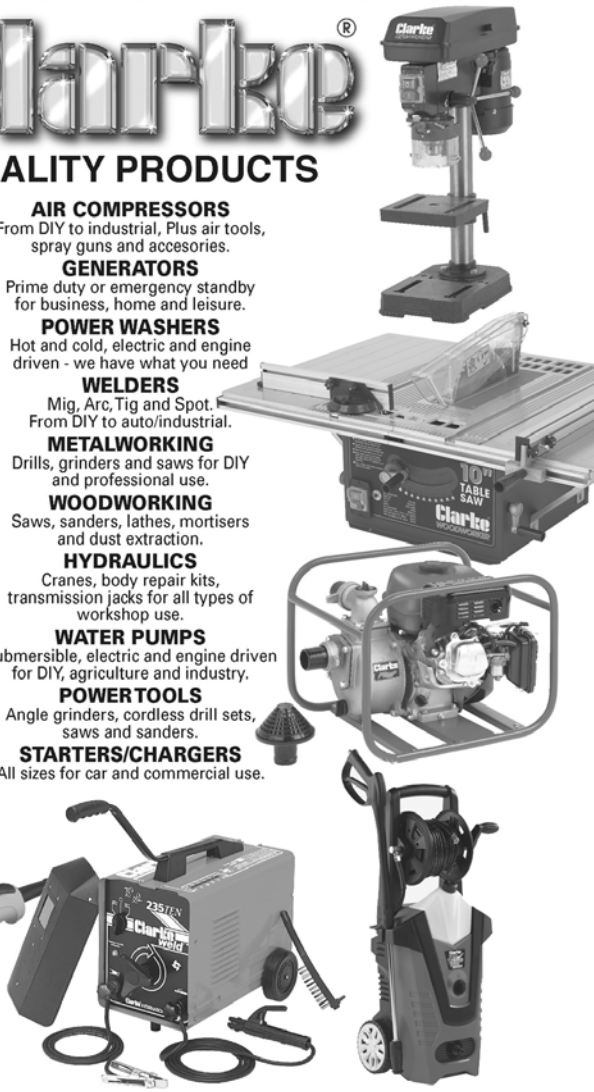
Submersible, electric and engine driven for DIY, agriculture and industry.

POWERTOOLS

Angle grinders, cordless drill sets, saws and sanders.

STARTERS/CHARGERS

All sizes for car and commercial use.



PARTS & SERVICE: 0208 988 7400

E-mail: Parts@clarkeinternational.com or Service@clarkeinternational.com

SALES: UK 01992 565333 or Export 00 44 (0)1992 565335

Clarke® INTERNATIONAL Hemnall Street, Epping, Essex CM16 4LG
www.clarkeinternational.com