

Charlie®

WOODWORKER



AIR FILTER

MODEL NO: AF1000

PART NO: 6471160

OPERATION & MAINTENANCE INSTRUCTIONS



INTRODUCTION

Thank you for purchasing this Clarke Air Filter.

Before you try to use this product, read this manual and follow the instructions carefully. In doing so you will ensure your safety and the safety of others around you. You can also look forward to a purchase that gives you long and satisfactory service.

GUARANTEE

This product is guaranteed against faulty manufacture for a period of 12 months from the date of purchase. Please keep your receipt which will be required as proof of purchase.

This guarantee is invalid if the product is found to have been abused or tampered with in any way, or not used for the purpose for which it was intended.

Faulty goods should be returned to their place of purchase, no product can be returned to us without prior permission.

This guarantee does not effect your statutory rights.

CONTENTS

Introduction	2
Guarantee	2
Contents.....	3
Electrical Connections	4
Unpacking and Assembly	5
General safety rules.....	5
Installation	6
Remote Control.....	10
Operation	11
Maintenance.....	12
Specifications	14
Exploded Parts Diagram	15
Parts List	16
Parts and servicing.....	17
Declaration of conformity.....	18
Notes	19

ELECTRICAL CONNECTIONS

Connect the mains lead to a standard, 230 Volt (50Hz) electrical supply through an approved 13 amp BS 1363 plug, or a suitably fused isolator switch.




WARNING: THIS APPLIANCE MUST BE EARTHED

IMPORTANT: The wires in the mains lead are coloured in accordance with the following code:

Green & Yellow	-	Earth
Blue	-	Neutral
Brown	-	Live

As the colours of the flexible lead of this appliance may not correspond with the coloured markings identifying terminals in your plug proceed as follows:

- Connect GREEN & YELLOW cord to terminal marked with a letter "E" or Earth symbol "  " or coloured GREEN or GREEN & YELLOW.
- Connect BROWN cord to terminal marked with a letter "L" or coloured RED.
- Connect BLUE cord to terminal marked with a letter "N" or coloured BLACK.

If this appliance is fitted with a plug which is moulded onto the electric cable (i.e. non-rewireable) please note:

1. The plug must be thrown away if it is cut from the electric cable. There is a danger of electric shock if it is subsequently inserted into a socket outlet.
2. Never use the plug without the fuse cover fitted.
3. When replacing a detachable fuse carrier, ensure the correct replacement is used (as indicated by marking or colour code).
4. Replacement fuse covers can be obtained from your local dealer or most electrical stockists.

FUSE RATING

The fuse in the plug must be replaced with one of the same rating (13 amps) and this replacement must be ASTA approved to BS1362.

We strongly recommend that this machine is connected to the mains supply via a Residual Current Device (RCD)

If in any doubt, consult a qualified electrician. DO NOT attempt any repairs yourself.

UNPACKING AND ASSEMBLY

Unpack your air filter and its accessories and make sure that the following items are present. Should there be any damage caused during transit contact your Clarke dealer immediately.

- 1 x Air filter with fitted filters
- 1 x Remote Control (with 2 AAA batteries)
- 4 x Rubber Feet
- 1 x Pack of fixings (4 x M10 mounting ring bolts, 8 x M6x4.8mm bolts, 8 x 6mm flat washers and 8 x 6mm spring washers)
- 1 x Instruction manual (this book)

Please dispose of any packaging responsibly. The cardboard packaging can be recycled.

GENERAL SAFETY RULES

There is a serious risk of personal injury if you do not follow all instructions laid down in this guide.

1. Before use, always inspect the machine and its' mountings to ensure they are in good condition. If any damaged or broken parts are found, the machine should be removed from service and the parts renewed or repaired before further use.
2. Keep tools and equipment out of the reach of young children.
3. Protect the machine from extreme weather conditions, i.e. frost and/or high temperatures.
4. Do not wear loose clothing, ties or any items that may be sucked against the air inlet.
5. Do not use the air filter in environments that have volatile fumes from fuel, paints or thinners.

Do not block the air flow to the air filter.

INSTALLATION

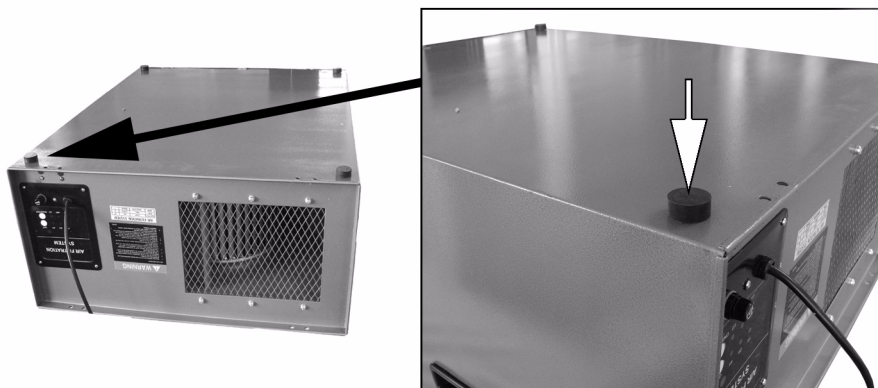
NOTE: The remote control system relies on an infra red beam, so before setting up the air filter make sure the signal path for the remote control is not obstructed by hanging objects or partition walls

Your "Air Filter System" can be set up in one of three ways.

- Workbench Mounted
- Wall Mounted
- Ceiling Mounted

WORKBENCH MOUNTING

1. Turn the air filter upside down.
2. Remove the sticky back from the bottom of each foot and place to each corner of the unit, press down firmly.
3. Turn the air filter upright and place on to a stable workbench.



CAUTION: IT IS ADVISABLE TO SEEK HELP WHEN MOVING THE UNIT.

WALL MOUNTING

You can install your air filter unit in confined spaces by using the flange brackets supplied with your unit.

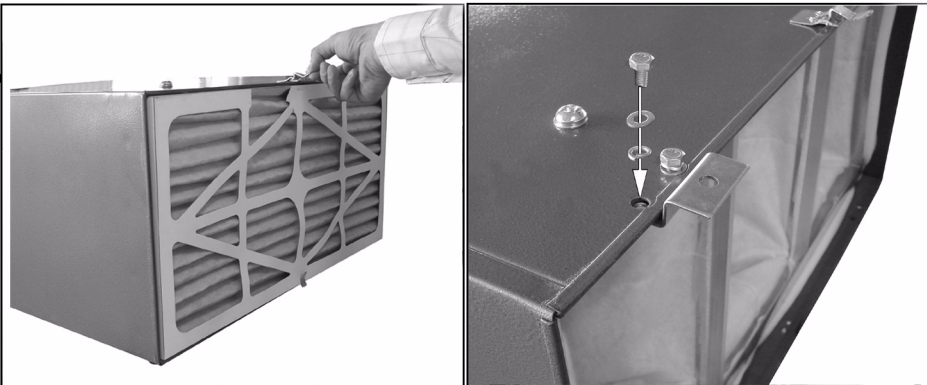


WARNING: BEFORE MOUNTING THE AIR FILTER SYSTEM MAKE SURE THE SURFACE YOU INTEND TO FIX IT TO CAN SUPPORT THE WEIGHT DO NOT FIX TO SURFACES SUCH AS PLASTER BOARD.

FITTING THE MOUNTING BRACKETS

1. Lift the filter catch and remove the outer filter.
2. Position each of the flange brackets under the edge of the unit and line up the mounting bracket holes.
3. Use a washer and spring washer as shown below and secure the bolts with a 10mm spanner.

NOTE: The mounting holes are threaded, so lock nuts are not required.



4. Replace the outer filter.

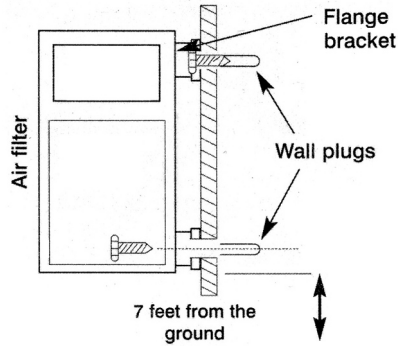
After securing the flange brackets to the air filter, there are two options for mounting the unit onto the wall. (shown on page 8)



CAUTION: YOU WILL REQUIRE ASSISTANCE TO LIFT THE AIR FILTER IN POSITION

WALL MOUNTING

1. Mark the position of the flange brackets on the wall.
2. Drill 4 holes into the wall and place a wall plug into each hole.
3. Screw the unit flush to the wall face using suitable quality bolts.

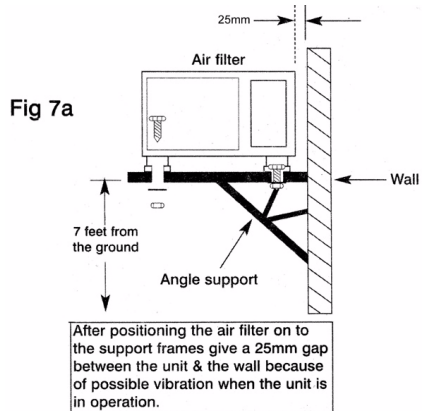


ANGLE FRAME MOUNTING

You can also sit the air filter on a frame as shown.

1. Mark the position of the flange brackets on the frame shelf.
2. Drill 4 holes into the shelf.
3. Secure the air filter to the frame using suitable quality bolts.

NOTE: Please make sure that the frame is capable of supporting the weight of the air filter.



CEILING MOUNTING

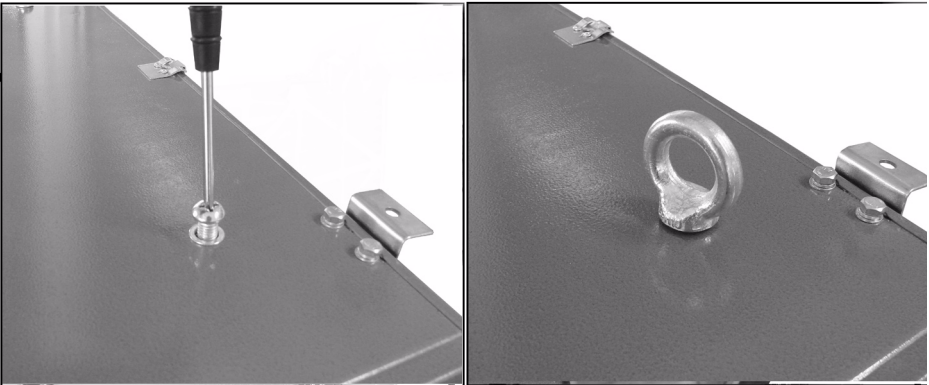


WARNING: ONLY USE GOOD QUALITY CHAINS OR CABLES TO SUSPEND, THIS AIR FILTER FROM THE CEILING.

Your air filter system can be suspended from the ceiling using the four M10 ring bolts supplied. You will require another four ring bolts for securing to the ceiling rafters.

TO INSTALL

1. Remove the screw plugs from the air filter then screw the four M10 ring bolts into the four mounting holes.



NOTE: You must replace the screw plugs on top to seal the unit, if you do not intend to use the mounting ring bolt.

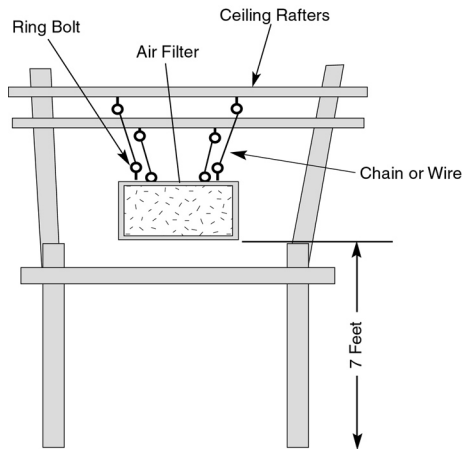
2. Fix the extra four mounting ring bolts to the ceiling.
3. Slide the chains or wires through the ring bolts so they are hanging down freely.



CAUTION: SEEK HELP WHEN LIFTING & POSITIONING THE AIR FILTER

4. Raise the air filter system and secure the four hanging chains or cables to the unit.

NOTE: Before finally securing all the fixings make sure the air filter is level by using a spirit level and adjust accordingly.



REMOTE CONTROL

INSERTING THE BATTERIES

1. Slide the battery compartment cover in the direction of the arrow.
2. Insert 2 'AAA' alkaline batteries into the compartment, taking note of the polarity markings inside.
3. Replace the battery compartment cover.

NOTE: When the remote control starts behaving erratically, change the batteries.

NOTE: Always change both batteries at the same time.



CAUTION: IF YOU DO NOT INTEND TO USE THE AIR FILTER FOR A MONTH OR MORE, REMOVE THE BATTERIES.

OPERATION

TURNING THE AIR FILTER ON

1. Press the green ON/SPEED button on the remote control once.
 - The fan will come on at low speed.
 - The low fan speed indicator will light up on the control panel.

ADJUSTING THE FAN SPEED.

1. Press the ON/SPEED button on the remote control repeatedly to cycle through the fan speeds (low, medium or high).
 - The corresponding fan speed indicator will light up on the control panel.

SETTING THE TIMER

The air filter can be set to switch off automatically after a preset period.

You can select from 1 hour, 2 hours or 4 hours.

1. Press the TIME button on the remote control repeatedly to cycle select the delay.
 - The corresponding time delay indicator will light up on the control panel.

TURNING THE AIR FILTER OFF

1. Press the OFF button on the remote control once.
 - The air filter will stop.

MAINTENANCE

CHANGING THE FILTER

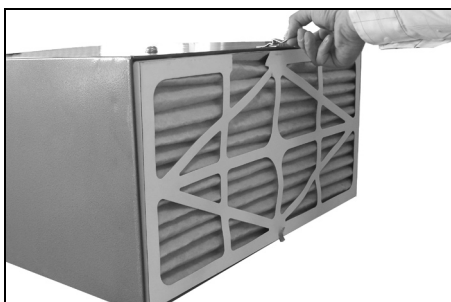


WARNING: DISCONNECT THE UNIT FROM THE MAINS SUPPLY BEFORE CHANGING/CLEANING THE FILTER.

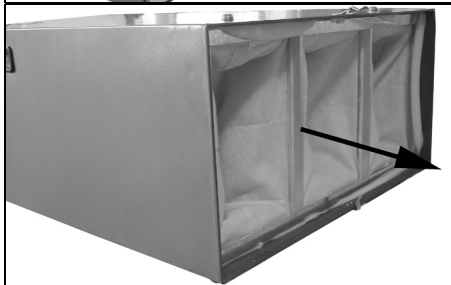


WARNING: ALWAYS WEAR GOGGLES AND A DUST MASK WHEN CHANGING/CLEANING THE FILTER.

1. Unclip the filter retaining latches.
2. Remove the outer filter.
 - Dispose of the outer filter in a refuse sack.



3. Remove the inner filter and shake it to remove any wood particles.
4. Rinse the inner filter in warm water, then leave it to dry thoroughly.



5. Vacuum the inside of the filter housing.
6. When dry, replace the inner filter and install a new outer filter.
7. Secure in place using the filter retaining latches.
8. Wipe the outside of the machine with a soft damp cloth, taking care to avoid any electrical components.



CHANGING THE FUSE

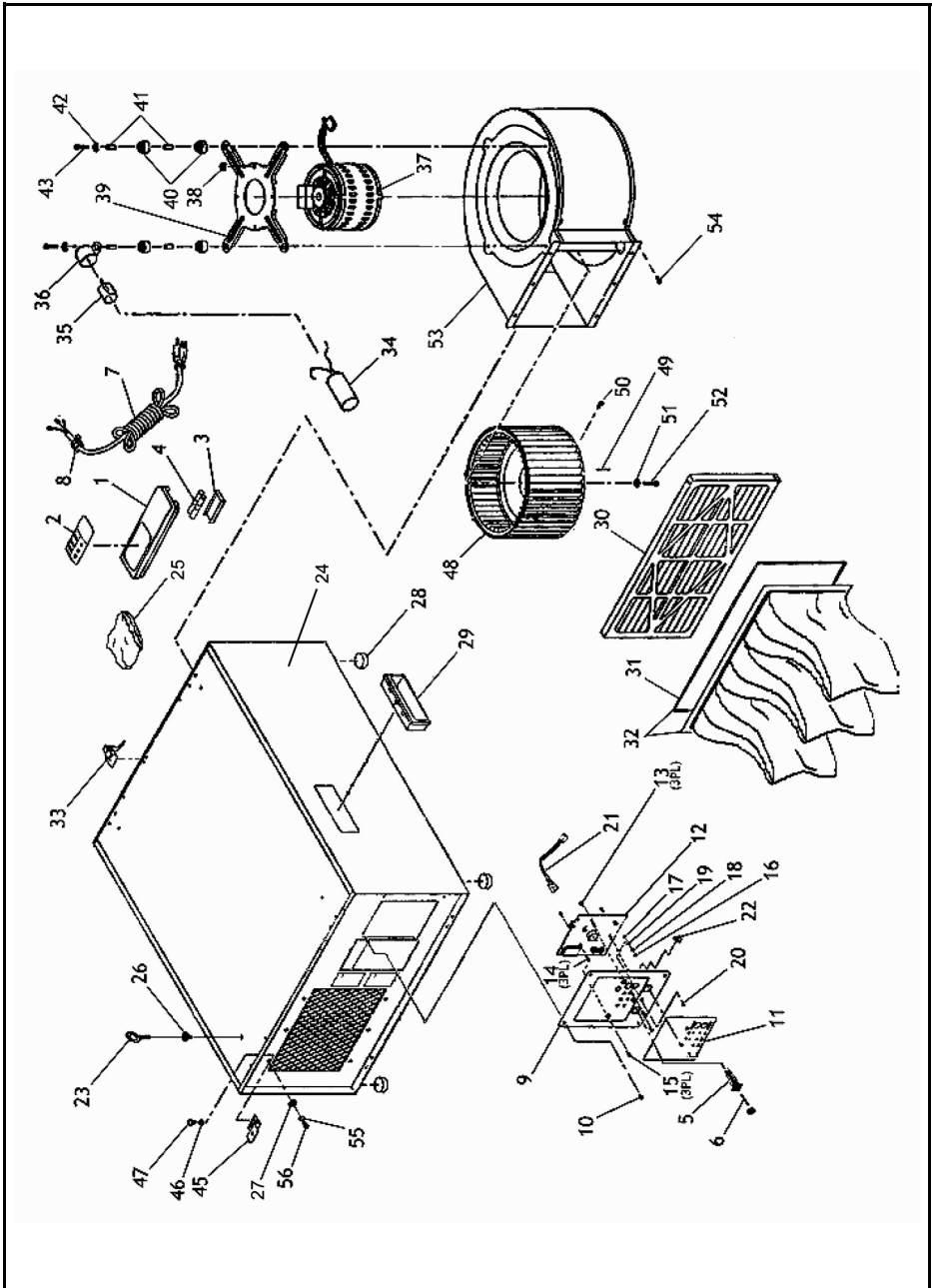
1. Unscrew the fuse cap.
2. Carefully remove the fuse.
3. Replace with a new fuse see "Parts List" on page 16 for the type and part number.



SPECIFICATIONS

Motor Output	1/5 HP
Motor at Low Speed	780 rpm
Motor at Medium Speed	875 rpm
Motor at High Speed	960 rpm
Fan Noise Level	63 dB
Air Flow at Low Speed	556 CFM
Air Flow at Medium Speed	702 CFM
Air Flow at High Speed	1044 CFM
Filtration	2 Stage
Inner Filter	1 Micron
Outer Filter	5 Microns
Dimensions	775mm x 610mm x 310mm
Weight	25 Kg

EXPLODED PARTS DIAGRAM



PARTS LIST

NO	DESCRIPTION	PART NO	NO	DESCRIPTION	PART NO
1	Remote Control	QBAF100001	29	Handle	QBAF100029
2	Label	QBAF100002	30	Primary Filter 5-micron	QBAF100030
3	Remote Control Cover	QBAF100003	31	Foam Seal 1/4" X 1 " X 70"	QBAF100031
4	AAA Batteries	QBAF100004	32	Secondary Filter 1 Micron	QBAF100032
5	Fuse Holder	QBAF100005	33	Clip Set	QBAF100033
6	8A Fuse	QBAF100006	34	Capacitor	QBAF100034
7	Power Cord	QBAF100007	35	Insulator	QBAF100035
8	Strain Relief	QBAF100008	36	Capacitor Clamp	QBAF100036
9	Control Panel	QBAF100009	37	Motor	QBAF100037
10	Philip Hd Scr M4-0.7 X 10	QBAF100010	38	Hex Locking Nut M5-0.8	QBAF100038
11	Label	QBAF100011	39	Flange	QBAF100039
12	Pc Board	QBAF100012	40	Spacer	QBAF100040
13	Philip Hd Scr M3-0.45 X 6.5	QBAF100013	41	Sleeve	QBAF100041
14	Spacer	QBAF100014	42	Flat Washer 6mm	QBAF100042
15	Philip Hd Scr (Special)	QBAF100015	43	Hex Bolt M6-1.0 X 30	QBAF100043
16	Ext Tooth Washer 4mm	QBAF100016	45	Flange Bracket	QBAF100045
17	Hex Nut M4-0.75	QBAF100017	46	Flat Washer 6mm	QBAF100046
18	Flat Washer 4mm	QBAF100018	47	Hex Bolt M6-1.0 X 10	QBAF100047
19	Lock Washer 4mm	QBAF100019	48	Fan	QBAF100048
20	Philip Hd Scr M4-0.75 X 6	QBAF100020	49	Key 4 X 4 X 20mm	QBAF100049
21	Pc Wiring Harness	QBAF100021	50	Hex Bolt M8-1.25 X12	QBAF100050
22	Bolt (Special) M3-0.45 X 6.5	QBAF100022	51	Flange Disk 6.5 X 44mm	QBAF100051
23	Eye Bolt M6-1.0 X 20	QBAF100023	52	Cap Screw M6-1.0 X 20 (Lh)	QBAF100052
24	Housing	QBAF100024	53	Fan Housing	QBAF100053
25	Mount And Bolt Bag	QBAF100025	54	Tapping Screw	QBAF100054
26	Rivet Nut M6 X 8	QBAF100026	55	Lock Washer 6mm	QBAF100055
27	Flat Washer 6mm	QBAF100027	56	Philip Hd Scr M6-1.0 X 16	QBAF100056
28	Rubber Foot	QBAF100028			

PARTS AND SERVICING

For Parts & Servicing, please contact your nearest dealer, or
CLARKE International, on one of the following numbers.

PARTS & SERVICE TEL: 020 8988 7400

PARTS & SERVICE FAX: 020 8558 3622

or e-mail as follows:

PARTS: Parts@clarkeinternational.com

SERVICE: Service@clarkeinternational.com

DECLARATION OF CONFORMITY



DECLARATION OF CONFORMITY

This is an important document and should be retained.



We declare that this product complies with the following directives:

89/336/EEC *Electromagnetic Compatibility directive, (amended 2004/108/EC).*

73/23/EEC *Low Voltage Equipment directive (amended by 93/68/EEC).*

The Following Standards have been applied to the product:

BS EN 55014-1:2001+A1 *BS EN 55014-2:1997+A1*

BS EN 61000-3-3:1995+A1 *BS EN 61000-3-2:2000*

The technical documentation required to demonstrate that the products meet the requirements of the Low Voltage Equipment directive has been compiled and is available for inspection by the relevant enforcement authorities.

The CE mark was first applied in: **2003**

Product Description: Air Filter
Model number(s): AF 1000
Serial / batch Number: Current Manufacture.
Date of Issue: 28/04/2008

Signed

A handwritten signature in black ink, appearing to read "A.C. Aiken".

A.C. AIKEN

Senior Manager Clarke International.

A SELECTION FROM THE VAST RANGE OF

Clarke®

QUALITY PRODUCTS

AIR COMPRESSORS

From DIY to industrial, Plus air tools, spray guns and accessories.

GENERATORS

Prime duty or emergency standby for business, home and leisure.

POWER WASHERS

Hot and cold, electric and engine driven - we have what you need

WELDERS

Mig, Arc, Tig and Spot. From DIY to auto/industrial.

METALWORKING

Drills, grinders and saws for DIY and professional use.

WOODWORKING

Saws, sanders, lathes, mortisers and dust extraction.

HYDRAULICS

Cranes, body repair kits, transmission jacks for all types of workshop use.

WATER PUMPS

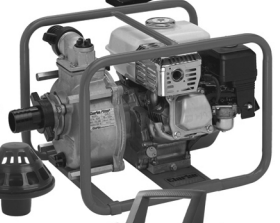
Submersible, electric and engine driven for DIY, agriculture and industry.

POWERTOOLS

Angle grinders, cordless drill sets, saws and sanders..

STARTERS/CHARGERS

All sizes for car and commercial use.



PARTS & SERVICE: 0208 988 7400

E-mail: Parts@clarkeinternational.com or Service@clarkeinternational.com

SALES: UK 01992 565333 or Export 00 44 (0)1992 565335

Clarke® INTERNATIONAL Hemnall Street, Epping, Essex CM16 4LG
www.clarkeinternational.com