

Champro®

weld



WELDING HEADSHIELDS

Model Nos: PTF1 & PTW1

Part Nos: 6000684 & 6000686

USER & MAINTENANCE INSTRUCTIONS



INTRODUCTION

Thank you for purchasing this CLARKE Welding Headshield.

Please read this manual thoroughly and follow the instructions given. In doing so you will ensure the safety of yourself and that of others around you, and you can look forward to the product giving you long and satisfactory service.

GUARANTEE

This product is guaranteed against faulty manufacture for a period of 12 months from the date of purchase. Please keep your receipt which will be required as proof of purchase.

This guarantee is invalid if the product is found to have been abused or tampered with in any way, or not used for its intended purpose. Faulty goods should be returned to their place of purchase, no product can be returned to us without prior permission.

This guarantee does not effect your statutory rights.

ENVIRONMENTAL PROTECTION

If broken, do not dispose of this product with general household waste. This product contains valuable raw materials and should be disposed of appropriately at a recognised disposal facility.

SPECIFICATIONS

	PTW1	PTF1
Product Weight	310 g	507 g
Viewing Field (W x H)	108 x 82 mm	97 x 42 mm
UV/IR Protection	DIN 11	DIN 11
Max Operating Temperature	55°C	55°C

GENERAL SAFETY WARNINGS

- The protective lens in this headshield is breakable and will not protect against impact hazards.
- This headshield is designed for use in arc welding or cutting applications such as MIG/MAG, TIG, MMA, Plasma Arc, and Carbon Arc.
- Use this headshield for face and eye protection against harmful rays, sparks and spatter from welding and cutting.
- This headshield is not suitable for laser welding, laser cutting or “overhead” welding applications, or for oxyacetylene.
- Never place this product on a hot surface.
- Do not make any modifications to this product. Protection can be seriously impaired if modifications are made.
- When necessary, use identical replacement parts. This will ensure that the safety of the product is maintained.
- Only trained welders should use this product.
- Do not use without protective lens cover installed. Do not use if any part of the headshield is cracked or broken.
- Do not use this headshield for welding above the range of DIN 11. Harm to the eyes and impaired eyesight may result.
- Always use the mask for the duration of exposure to hazards. Stop work if dizziness or eye irritation occurs or if the mask becomes damaged.

Please keep these instructions in a safe place for future reference.

PREPARATION & USE

CONTENTS

1 x Welding Headshield	1 x Adjustable Headband
1 x Dark Glass Filter (fitted)	2 x Protective Glasses (PTF1)
	1 x Protective Glass (PTW1)

Refer to the part numbers on pages 5 and 6.

ASSEMBLY-PTW1

1. Install headband (9) by passing the studs (5) through the holes on the sides of the headband from inside. Ensure square lugs of the studs sit in the holes and place the adjustment tabs (6) over the studs while inside the headshield.

2. Pass the the studs through the holes in the headshield and secure both sides with the securing knobs (7). Ensure that corresponding holes in the adjustment tabs sit on the positioning pins (11).
3. If already fitted, remove the lens retainer from the headshield and also remove the protective film from the glass lens before use.
4. Position both the outer and inner lenses (2 & 3) in the headshield recess before securing, by clipping in the lens retainer (4).

ASSEMBLY-PTF1

1. Install the headband (9) by passing the studs (5) through the openings in the headband from the inside. Pass the adjustment tab over the studs and pass the studs through the holes in the headshield. Screw the knobs onto the studs from outside the headshield, ensuring the holes in the adjustment tabs sit on the positioning pin (11).
2. Raise the flip-up filter lens holder and remove the protective film from the lens before use. Position both the outer and inner lenses (2 & 3) in the flip-up lens holder and secure by clipping in the lens retainer (4).

ADJUST HEADBAND TO FIT

The headband should be adjusted both in diameter and height to fit the wearer's head. To do this:

1. Press the adjustment knob (8) on the back of the headband and turn the nut either left or right to expand or contract the headband.
2. The top headband can be adjusted by bending the strap and positioning the peg in the appropriate hole.

CARE AND MAINTENANCE

GENERAL

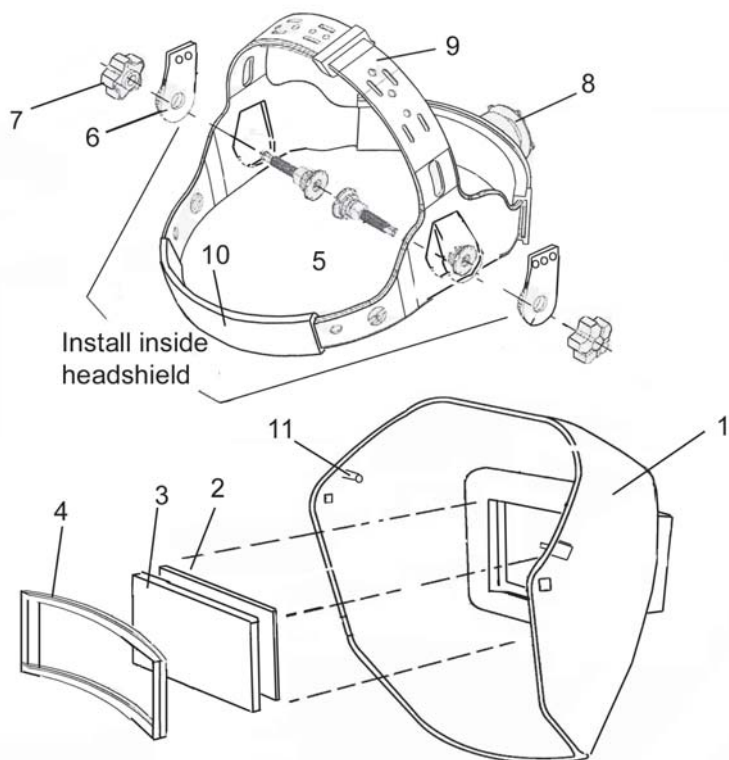
Damaged components must be replaced immediately to avoid risk of eye and face injuries. Periodically inspect the lenses. Cracked, pitted or scratched lenses reduce vision and seriously reduce level of protection and should be replaced with genuine, certified spare parts. The outer lens can be removed for cleaning or replacement after prising out the lens retainer.

CLEANING & STORAGE

The headshield should be stored in it's box or similar place.

Clean all lenses with a soft tissue and suitable lens cleaning fluid. Do not use solvents. Never use tools or other sharp objects to remove material from the lens or headshield. This may cause damage which may impair function and invalidate the warranty.

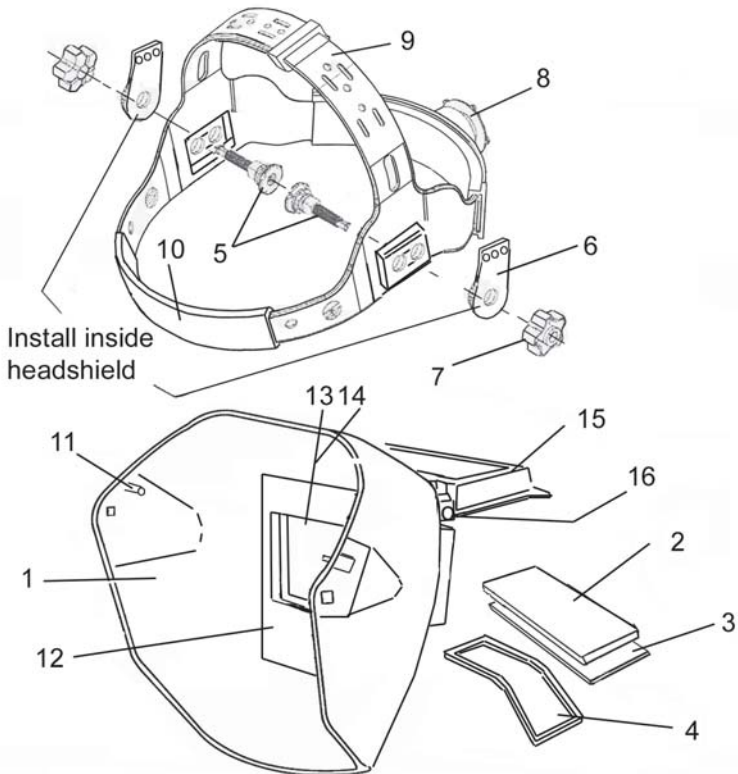
COMPONENT PARTS - PTW1



No	Description
1	Headshield Shell
2	Protective Glass Outer Lens
3	Inner Lens (DIN11 rated)
4	Lens Retainer
5	Connecting Stud
6	Adjusting Tab

No	Description
7	Securing Knob
8	Headband Adjustment Knob
9	Headband
10	Sweat Band
11	Positioning Pin

COMPONENT PARTS - PTF1



No	Description
1	Headshield Shell
2	Protective Glass Outer Lens
3	Inner Lens (DIN11 rated)
4	Lens Retainer
5	Connecting Stud
6	Adjusting Tab
7	Securing Knob
8	Headband Adjustment Knob

No	Description
9	Headband
10	Sweat Band
11	Positioning Pin
12	Inner Panel
13	Secondary Lens
14	Secondary Lens Retainer
15	Flip-up Lens Holder
16	Flap Hinge Pin

DECLARATION OF CONFORMITY



Clarke[®]
INTERNATIONAL

Hemnall Street, Epping, Essex CM16 4LG

DECLARATION OF CONFORMITY

This is an important document and should be retained.

We hereby declare that this product(s) complies with the following directive(s):

89/686/EEC *Personal Protective Equipment Directive.*

The following standards have been applied to the product(s):

EN 175, EN 166, EN 169

The technical documentation required to demonstrate that the product(s) meet(s) the requirement(s) of the aforementioned directive(s) has been compiled and is available for inspection by the relevant enforcement authorities.

The CE mark was first applied in: 2010

Product Description: Wrap Round Head Mask, Combination Flip Mask
Model number(s): PTF1,PTW1
Serial / batch Number: N/A
Date of Issue: 01/12/2011

Signed:



J.A. Clarke
Director

A SELECTION FROM THE VAST RANGE OF

Clarke®

QUALITY PRODUCTS

AIR COMPRESSORS

From DIY to industrial, Plus air tools, spray guns and accessories.

GENERATORS

Prime duty or emergency standby for business, home and leisure.

POWER WASHERS

Hot and cold, electric and engine driven - we have what you need

WELDERS

Mig, Arc, Tig and Spot. From DIY to auto/industrial.

METALWORKING

Drills, grinders and saws for DIY and professional use.

WOODWORKING

Saws, sanders, lathes, mortisers and dust extraction.

HYDRAULICS

Cranes, body repair kits, transmission jacks for all types of workshop use.

WATER PUMPS

Submersible, electric and engine driven for DIY, agriculture and industry.

POWER TOOLS

Angle grinders, cordless drill sets, saws and sanders.

STARTERS/CHARGERS

All sizes for car and commercial use.



PARTS & SERVICE: 020 8988 7400

E-mail: Parts@clarkeinternational.com or Service@clarkeinternational.com

SALES: UK 01992 565333 or Export 00 44 (0)1992 565335

Clarke INTERNATIONAL Hemnall Street, Epping, Essex CM16 4LG
www.clarkeinternational.com