

Clarke®



SUBMERSIBLE SEWAGE PUMP

MODEL NO: SWP900A

PART NO: 7230096

OPERATION & MAINTENANCE INSTRUCTIONS

UK
CA | CE



ORIGINAL INSTRUCTIONS

GC1221 - ISS 5

INTRODUCTION

Thank you for purchasing this CLARKE Submersible Sewage Pump.

This pump is designed for pumping waste and clean water or sewage containing bodies up to 31mm.

GUARANTEE

This product is guaranteed against faulty manufacture for a period of 12 months from the date of purchase. Please keep your receipt which will be required as proof of purchase.

This guarantee is invalid if the product is found to have been abused or tampered with in any way, or not used for the purpose for which it was intended.

Faulty goods should be returned to their place of purchase, no product can be returned to us without prior permission.

This guarantee does not effect your statutory rights.

ENVIRONMENTAL RECYCLING POLICY



Through purchase of this product, the customer is taking on the obligation to deal with the WEEE in accordance with the WEEE regulations in relation to the treatment, recycling & recovery and environmentally sound disposal of the WEEE.

In effect, this means that this product must not be disposed of with general household waste. It must be disposed of according to the laws governing Waste Electrical and Electronic Equipment (WEEE) at a recognised disposal facility.

SAFETY INSTRUCTIONS

GENERAL

1. Read all instructions before use and save these instructions for future use.
2. An approved residual current device (RCD) which has a tripping current of less than 30mA **MUST** be used for all operations.
3. The electrical supply must be the same as that on the rating plate.
4. ALWAYS make sure that your hands are dry when connecting or disconnecting from the mains supply.
5. NEVER pull the mains lead to disconnect the pump from the mains socket.
6. The mains plug must be kept away from the water at all times.
7. DO NOT allow children or unauthorised people to touch the pump, cables or connections.
8. Disconnect the pump from the mains supply when not in use.
9. If necessary have the pump repaired by a qualified person.
10. Keep the mains lead away from heat, oil and sharp edges.
11. If you have to use an extension lead with this product, it must be designed for outdoor use and incorporate a cable suitable for use with Class I appliances.
12. Disconnect the pump from the electrical supply and wear gloves during servicing or maintenance.

PUMP SPECIFIC

1. DO NOT pump explosive / flammable liquids or chemicals.
2. NEVER allow the pump to run dry or operate out of the water.
3. Submersible pumps should always be submerged and stored vertically.
4. Disconnect the pump from the mains supply before placing it into or removing it from the water.
5. ALWAYS check the plug, mains cable and float switch cable for damage before use.
6. DO NOT use the pump if damaged. Refer to qualified service personnel for repair.
7. NEVER carry the pump by the power cable or float switch always use the handle or a rope tied securely to the handle.
8. NEVER insert your fingers into the pump whilst it is connected to the mains.
9. NEVER use the submersible pump in a swimming pool when there are people or animals in the pool.
10. Keep the pump clear of any sediment by standing it on a platform or brick or suspending it at a suitable depth.
11. DO NOT use the pump if the water is liable to freeze, as this can cause damage to the pump. Remove the pump from the water and store it in a frost free location.

OVERVIEW



1	FLOAT SWITCH
2	WATER INLET
3	PLUG AND CABLE

4	HANDLE
5	CABLE CLAMP
6	WATER OUTLET

Remove all packaging and make sure that the unit contains no visible damage. Dispose of all packaging appropriately.

ELECTRICAL CONNECTIONS



WARNING: READ THESE ELECTRICAL SAFETY INSTRUCTIONS THOROUGHLY BEFORE CONNECTING THE PRODUCT TO THE MAINS SUPPLY.

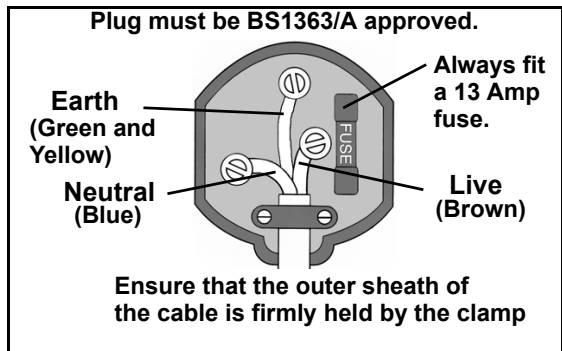
Connect the mains lead to a standard, 230 Volt (50Hz) electrical supply through an approved 13 amp BS 1363 plug, or a suitably fused isolator switch. If the plug has to be changed because it is not suitable for your socket, or because of damage, it must be removed and a replacement fitted, following the wiring instructions shown below. The old plug must be discarded safely, as insertion into a power socket could cause an electrical hazard.



**WARNING: THE WIRES IN THE POWER CABLE OF THIS PRODUCT ARE COLOURED IN ACCORDANCE WITH THE FOLLOWING CODE:
BLUE = NEUTRAL BROWN = LIVE YELLOW AND GREEN = EARTH**

If the colours of the wires in the power cable do not agree with the markings on the plug.

- The BLUE wire must be connected to the terminal marked N or coloured black.
- The BROWN wire must be connected to the terminal marked L or coloured red.
- The YELLOW AND GREEN wire must be connected to the terminal marked E or \perp or coloured green.



AN APPROVED RESIDUAL CURRENT DEVICE (RCD) WHICH HAS A TRIPPING CURRENT OF LESS THAN 30MA MUST BE USED.

If you are not sure, consult a qualified electrician. DO NOT try to do any repairs.

USING THE PUMP



WARNING: CHECK THE PUMP FOR DAMAGE BEFORE USE, DO NOT USE THE PUMP IF IT IS DAMAGED IN ANY WAY.

WARNING: THE WATER BEING PUMPED WILL BE POLLUTED IF THIS PUMP BECOMES DAMAGED AND LUBRICANT WITHIN THE PUMP ESCAPES.

1. Connect a suitable hose (not supplied) to the pump outlet.
 - Suitable hoses are available from your local Clarke dealer.
2. Place the pump on a flat surface in the area that you want to drain.
 - If there is sediment in the operating area, the pump should be placed vertically on house bricks, or similar.
 - Ensure the pump is positioned with adequate space so that the movement of the float switch is not restricted - recommended minimum area of 50 x 50cm.
 - ALWAYS raise/lower the pump using a rope attached to the lifting handle.
 - Take all necessary precautions as described on page 3.
 - The pump inlet must be fully submerged before the pump is switched on.
3. Connect the mains plug to a high sensitivity residual current device (RCD) which has a tripping current of less than 30mA.
4. Switch the mains power supply on.
 - The pump will begin to drain water.
 - As the water level falls, so will the float switch, until it stops the pump.
 - You can adjust the position at which the float switch lead clips to the side of the pump, if the length of the float switch lead is short the pump will turn on and off earlier.
5. When finished, disconnect the pump from the mains power supply.



CAUTION: DO NOT ALLOW THE PUMP TO RUN DRY

OVERLOAD SWITCH

These pumps are fitted with a thermal overload switch. If the pump overheats for any reason, it will automatically switch the pump OFF. Once the pump has cooled (at least 5-10 minutes), the pump will automatically restart.

MAINTENANCE



WARNING: BEFORE CHECKING THE CONDITION OF THE PUMP, ENSURE IT IS UNPLUGGED FROM THE MAINS SUPPLY. IF THE UNIT IS HARD WIRED, ENSURE THE CIRCUIT BREAKER IS OPEN.

This pump should require no maintenance other than regular cleaning.

If the pump starts to show signs of wear or damage, contact your CLARKE dealer for advice.

CLEANING

1. Check the pump installation regularly to ensure the base inlet is clear of leaves or other debris.
2. Take extra care to remove any debris from around the impeller.

NOTE: Do not attempt to repair the pump yourself, as you may damage the waterproof seal and invalidate your guarantee. Repairs must be carried out by your CLARKE dealer, or contact the CLARKE Service Department, on 020 8988 7400.

STORAGE

When the pump is not being used for extended periods, clean and dry it thoroughly and store in indoors. If the pump is left in water, it must be run at least once a week to prevent it from seizing up.

TROUBLESHOOTING

PROBLEM	SOLUTION
PUMP WILL NOT START	<ol style="list-style-type: none"> 1. Make sure that the power is switched on. 2. Check fuse (consult an electrician if in doubt). 3. If extension lead is fitted, check connections (consult an electrician if in doubt). 4. Internal thermal cut-out has not re-set. Leave for 5-10 minutes and try again. 5. The impeller may be jammed. Disconnect from the mains supply and remove any objects that may be obstructing the impeller. 6. Float switch may be jammed against side wall, or prevented from moving. 7. Water level too low - float switch in OFF position - lift float to check switch. 8. If the pump still fails to start, consult your CLARKE dealer.
PUMP WILL START BUT NOT PUMP	<ol style="list-style-type: none"> 1. Check that the inlet is not blocked. 2. Check that the discharge tube is not clogged or obstructed. 3. The head may be too great, i.e. you are trying to lift the water too great a distance for the pump to cope with. ("When the pump is not being used for extended periods, clean and dry it thoroughly and store in indoors. if the pump is left in water, it must be run at least once a week to prevent it from seizing up." on page 7). 4. Air bubble in the pump, produced during immersion. Immerse the pump again, at an angle, and shake it whilst lowering to remove any air trapped in the system. 5. Impeller may be damaged - Consult your CLARKE dealer.
PUMP WILL NOT STOP	<ol style="list-style-type: none"> 1. Float switch may be prevented from moving to the fully down position. 2. Float switch may be faulty. Consult your CLARKE dealer for advice.
PUMP STOPS RUNNING	<ol style="list-style-type: none"> 1. Thermal overload has operated. Leave for 5-10 minutes and try again. 2. Pump has run dry, or float switch has cut in. 3. A foreign object has jammed the impeller.

If this does not solve your problem, please contact the Clarke service department.

DECLARATION OF CONFORMITY



Fitzwilliam Hall, Fitzwilliam Place, Dublin 2

DECLARATION OF CONFORMITY

This is an important document and should be retained.


We hereby declare that this product(s) complies with the following directive(s):
2014/30/EU Electromagnetic Compatibility Directive.
2014/35/EU Low Voltage Equipment Directive.
2011/65/EU Restriction of Hazardous Substances (Amended by 2015/863).

The following standards have been applied to the product(s):
EN ISO 12100:2010, EN 60204-1:2018, EN 809:1998+A1:2009, EN 61000-6-1:2019,
EN 61000-6-3:2007+A1:2011, EN 61000-3-2:2019, EN 61000-3-3:2013+A1:2019, EN 62321-1:2013,
EN 62321-2:2014, EN 62321-3:1:2014, EN 62321-8:2017.

The technical documentation required to demonstrate that the product(s) meet(s) the requirement(s) of the aforementioned directive(s) has been compiled and is available for inspection by the relevant enforcement authorities.

The CE mark was first applied in: 2012

Product Description: Submersible Stainless Steel Water Pump
Model number(s): SWP900A
Serial / batch Number: N/A
Date of Issue: 25/11/2021

Signed: 
J.A. Clarke
Director



Hemmill Street, Epping, Essex CM16 4UG

DECLARATION OF CONFORMITY

This is an important document and should be retained.

We hereby declare that this product(s) complies with the following statutory requirement(s):
Electromagnetic Compatibility Regulations 2016
Electrical Equipment (Safety) Regulations 2016
The Restriction of the Use of Certain Hazardous Substances in Electrical and Electronic Equipment Regulations 2012

The following standards have been applied to the product(s):
EN ISO 12100:2010, EN 60204-1:2018, EN 809:1998+A1:2009, EN 61000-6-1:2019,
EN 61000-6-3:2007+A1:2011, EN 61000-3-2:2019, EN 61000-3-3:2013+A1:2019, EN 62321-1:2013,
EN 62321-2:2014, EN 62321-3:1:2014, EN 62321-8:2017.

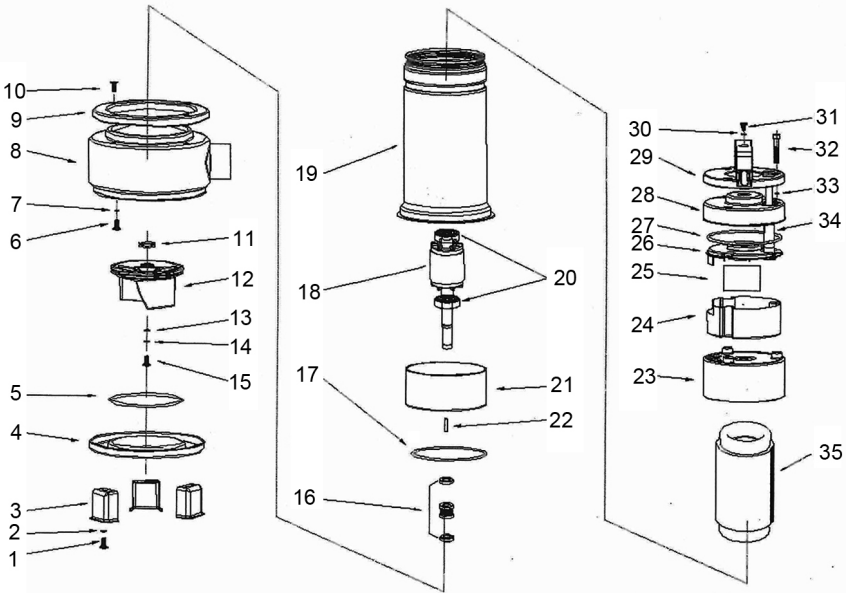
The technical documentation required to demonstrate that the product(s) meet(s) the requirement(s) of the aforementioned legislation has been compiled and is available for inspection by the relevant enforcement authorities.

The UKCA mark was first applied in: 2021

Product Description: Submersible Stainless Steel Water Pump
Model number(s): SWP900A
Serial / batch Number: N/A
Date of Issue: 25/11/2021



Signed: 
J.A. Clarke
Director

PARTS LIST & DIAGRAM



1	Bolt	13	Washer	25	Capacitor
2	Washer	14	Spring Washer	26	Capacitor Box Cover
3	Footing	15	Screw	27	O Ring
4	Casing Cover	16	Mechanical Seal	28	Upper Motor Cover
5	O Ring	17	O Ring	29	Gland Cover
6	Screw	18	Rotor	30	O Ring
7	O Ring	19	Motor Frame	31	Screw
8	Casing	20	Bearing	32	Screw
9	Motor Gland Cover	21	Lower Bearing Bracket	33	O Ring
10	Screw	22	Impeller Key	34	Power Cable
11	Sediment Control Cover	23	Upper Bearing Bracket	35	Stator
12	Impeller	24	Capacitor Box		

ACCESSORIES

Layflat Hoses	Assorted Hose Clip Set - CHT672
	
<ul style="list-style-type: none"> • Available in 100 metre coils or per meter. • Available in 1" - 3" Diameter. 	<ul style="list-style-type: none"> • 26 piece assorted hose clip set in various sizes, Including, 8 x 16mm, 6 x 22mm, 4 x 25mm, 2 x 28mm, 2 x 35mm & 4 x 40mm clips. • Zinc plated for corrosion resistance.

SPECIFICATIONS

Voltage	230V~50Hz
Outlet Thread Diameter	1½" BSP
Power	1100W
Maximum Head Height	9 m
Maximum Depth	5 m
Maximum Flow	350 l/min
Maximum Water Temperature	40°C
Maximum Particle Size	31 mm
Weight	9.5 kg
Cable Length	10 m
Dimensions (D x W x H)	164 x 190 x 415 mm

A SELECTION FROM THE VAST RANGE OF

Clarke®

QUALITY PRODUCTS



AIR COMPRESSORS

From DIY to industrial, Plus air tools, spray guns and accessories.

GENERATORS

Prime duty or emergency standby for business, home and leisure.

POWER WASHERS

Hot and cold, electric and engine driven - we have what you need

WELDERS

Mig, Arc, Tig and Spot. From DIY to auto/industrial.

METALWORKING

Drills, grinders and saws for DIY and professional use.

WOODWORKING

Saws, sanders, lathes, mortisers and dust extraction.

HYDRAULICS

Cranes, body repair kits, transmission jacks for all types of workshop use.

WATER PUMPS

Submersible, electric and engine driven for DIY, agriculture and industry.

POWER TOOLS

Angle grinders, cordless drill sets, saws and sanders.

STARTERS/CHARGERS

All sizes for car and commercial use.



PARTS & SERVICE: 0208 988 7400

Parts Enquiries
Parts@clarkeinternational.com

Servicing & Technical Enquiries
Service@clarkeinternational.com

SALES: UK 01992 565333 or Export 00 44 (0)1992 565335

Clarke INTERNATIONAL Hemnall Street, Epping, Essex CM16 4LG
www.clarkeinternational.com