

Clarke®

PUMP



DIRTY WATER PUMP

MODEL No: LVP1A

Part No: 7260065

OPERATION & MAINTENANCE INSTRUCTIONS



INTRODUCTION

- Thank you for purchasing this CLARKE dirty water pump.
- This pump is designed for pumping dirty water only, that is water containing solids in suspension. ***It is NOT designed for pumping slurry, sludge, mud or heavily polluted water, or any water containing chemicals or other acidic contaminants including salt water.***

GUARANTEE

- This product is guaranteed against faulty manufacture for a period of 12 months. Please keep your receipt as proof of purchase.
- This guarantee is invalid if the product is found to have been abused or tampered with in any way, or not used for the purpose for which it was intended.
- Faulty goods should be returned to their place of purchase, no product can be returned to us without prior permission.
- This guarantee does not effect your statutory rights.

RECOMMENDED USES

The recommended uses for this pump are:

- Drainage after flooding
- The transfer of liquids
- Drainage of containers
- Taking water from wells and shafts

Liquids that **CAN** be pumped:

- Dirty water - That is water containing solids in suspension,
- Swimming pool water

Note: After pumping chlorinated water or other liquids containing additives, the pump should be rinsed with clean water.

- Soapy water

Liquids that **MUST NOT** be pumped are:

- Corrosive substances including salt water
- Combustible or explosive substances (petrol, thinners etc.)
- Fats, oils or salts
- Waste from toilets or urinals
- Slurry, sludge, mud or heavily polluted water, or any water containing chemicals

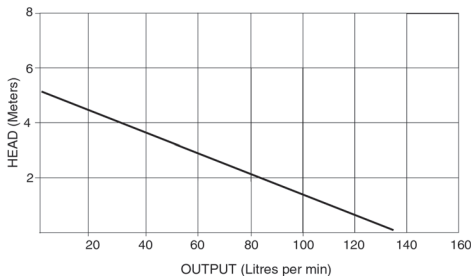
Note: After pumping dirty water or other liquids the pump should be rinsed with clean water

CONTENTS

Introduction	2
Guarantee	2
Recommended uses	2
Contents	3
Specifications	3
For your own safety	4
Electrical connections	5
Parts identification	6
Preparation	7
Using the pump	8
Cleaning and maintenance	9
Troubleshooting	10

SPECIFICATIONS

Motor	230V 50Hz
Motor Output	350W
Head Max	5 m
Maximum Imersion Depth	5 m
Maximim Flow Rate	135 l/min
Outlet Size	25 mm / 32 mm
Dimensions (L x W x H)	220 x 148 x 328 mm
Duty Cycle	S1
Maximum Solid Body Diameter	30 mm
Part Number	7260065



FOR YOUR OWN SAFETY

KEEP CHILDREN AWAY

- Do not allow children to touch the pump, cables or connections.

USE A RESIDUAL CURRENT DEVICE:

- The pump must be connected to a high sensitivity residual current device (RCD) which has a tripping current of less than 30mA.

STORAGE

- When not in use, the pump should be stored in a dry, secure place out of the reach of children.

WATER TEMPERATURE

- Do not use the pump if the water is liable to freeze, as this can cause damage to the pump.

MAINS SUPPLY

- Disconnect the pump from the mains supply when not in use.

REPAIRS

- Have the pump repaired by a qualified person.

DO NOT ABUSE THE MAINS LEAD

- Never carry the pump by the mains lead.
- Never pull the mains lead to disconnect the pump from the mains socket.
- Keep the mains lead away from heat, oil and sharp edges.
- Always check the plug, mains cable and float switch cable for damage before use. Do not use the pump if damaged. Refer to qualified service personnel for repair.
- If you have to use an extension lead with this product, it must be designed for outdoor use and incorporate a cable suitable for use with Class I appliances.
- Do not lower the pump using the mains lead, Always use the handle with a rope or cord attached if necessary,.

DO NOT ABUSE THE FLOAT SWITCH

- Do not lift the pump by the mains or float switch cables.

ELECTRICAL CONNECTIONS


Connect the mains lead to a standard, 230 Volt (50Hz) electrical supply through an approved 13 amp BS 1363 plug, or a suitably fused isolator switch.

WARNING! THIS APPLIANCE MUST BE EARTHED

IMPORTANT: The wires in the mains lead are coloured in accordance with the following code:

Green & Yellow	-	Earth
Blue	-	Neutral
Brown	-	Live

As the colours of the flexible lead of this appliance may not correspond with the coloured markings identifying terminals in your plug proceed as follows:

- Connect GREEN & YELLOW wire to terminal marked with a letter "E" or Earth symbol  or coloured GREEN or GREEN & YELLOW.
- Connect BROWN wire to terminal marked with a letter "L" or coloured RED.
- Connect BLUE wire to terminal marked with a letter "N" or coloured BLACK.

If this appliance is fitted with a plug which is moulded onto the electric cable (i.e. non-rewireable) please note:

- 1 The plug must be thrown away if it is cut from the electric cable. There is a danger of electric shock if it is inserted into a mains power socket.
- 2 Never use the plug without the fuse cover fitted.
- 3 When replacing a detachable fuse carrier, ensure the correct replacement is used (as indicated by marking or colour code).
- 4 Replacement fuse covers can be obtained from your local dealer or most electrical stockists.

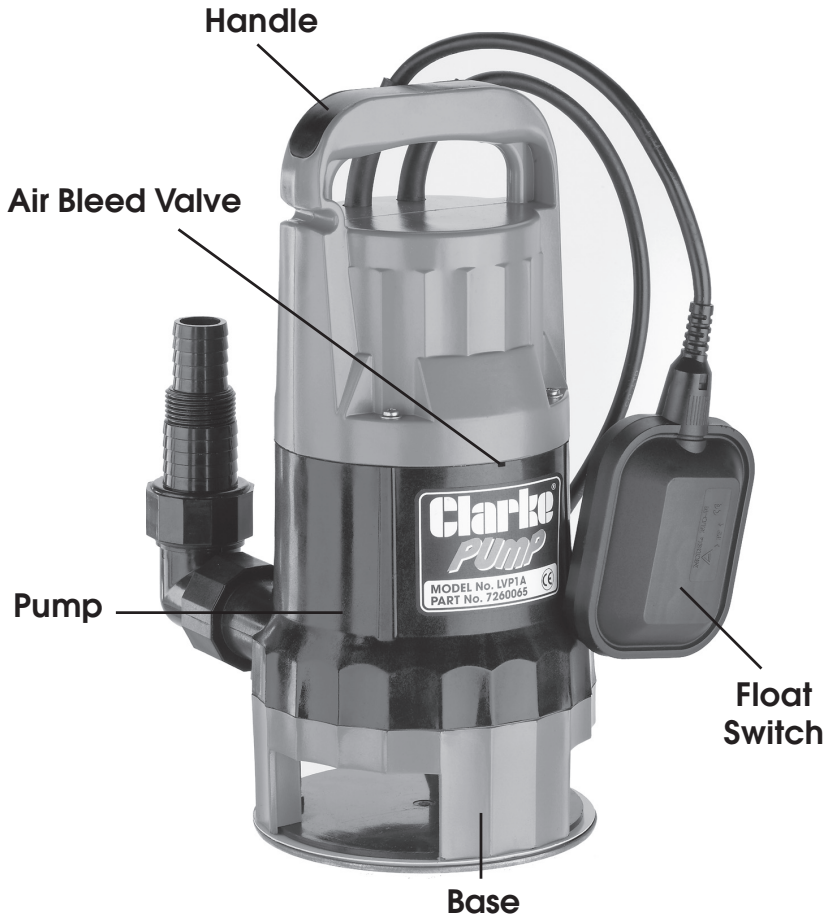
FUSE RATING

The fuse in the plug must be replaced with one of the same rating and this replacement must be ASTA approved to BS1362.

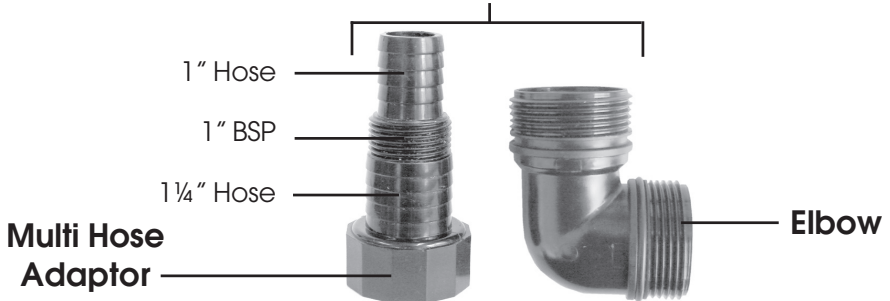
We strongly recommend that this machine is connected to the mains supply via a Residual Current Device (RCD)

If in any doubt, consult a qualified electrician. DO NOT attempt any repairs yourself.

PARTS IDENTIFICATION



May be supplied fitted to the pump



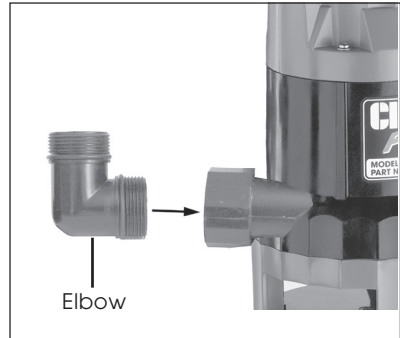
PREPARATION

CONNECTING THE MULTI HOSE ADAPTOR

WARNING!

DISCONNECTED THE PUMP FROM THE MAINS POWER SUPPLY BEFORE CONNECTING THE MULTI HOSE ADAPTOR

- 1 Fit the elbow adaptor to the pump outlet as shown in the diagram opposite.
- 2 Screw the multi hose adaptor onto the elbow,
 - The multi hose adaptor is capable of accepting 1" and 1¼" hoses and a 1" BSB Thread.



- 3 Simply cut the multi hose connector to the required size and attach a suitable hose using with a worm drive clip.
 - For maximum efficiency, we strongly recommend that you connect a 1¼" diameter hose to the multi hose adapter,
 - Alternatively, you may remove the multi adapter altogether, and screw on a 1¼" BSP hose adapter



The pump is completely submersible, and should be placed in a vertical position, on a solid flat surface, Placing the pump on a couple of house bricks if required.

SUITABLE HOSES, and SPARE/REPLACEMENT MULTI HOSE ADAPTERS ARE AVAILABLE FROM YOUR CLARKE DEALER

USING THE PUMP

CAUTION!

CHECK THE PUMP FOR DAMAGE BEFORE USE, DO NOT USE THE PUMP IF IT IS DAMAGED IN ANY WAY

- 1 Place the pump on a flat surface in the area that you want to drain.
 - If there is sediment in the operating area, the pump should be placed on house bricks, or similar.
 - Ensure the pump is positioned with adequate space so that the movement of the float switch is not restricted - recommended minimum area of 40 x 40cm
 - ALWAYS raise and lower the pump using a rope attached to the lifting handle.
 - Take all necessary precautions as described on page 4 before plugging in, and switching ON.

WARNING!

NEVER CARRY THE PUMP USING THE MAINS POWER CABLE. DAMAGE TO ELECTRICAL CABLES CAN BE DANGEROUS. ALWAYS USE THE HANDLE WHEN MOVING THE PUMP.

- 2 Connect the mains plug to a high sensitivity residual current device (RCD) which has a tripping current of less than 30mA.
- 3 Switch the mains power supply on,
 - The pump incorporates a float switch, which automatically switches the pump ON when the water is above a pre-determined level.
- 4 The pump will begin to drain water.
 - As the water level falls, so will the float switch, until it stops the pump.
- 5 When the pumping is finished, disconnect the pump from the mains power supply
 - The pump is fitted with a thermal cut out to protect the motor from overheating. If the thermal cut out activates, the motor will automatically switch back on when it has cooled down sufficiently.

CAUTION!

DO NOT ALLOW THE PUMP TO RUN DRY.

CLEANING AND MAINTENANCE

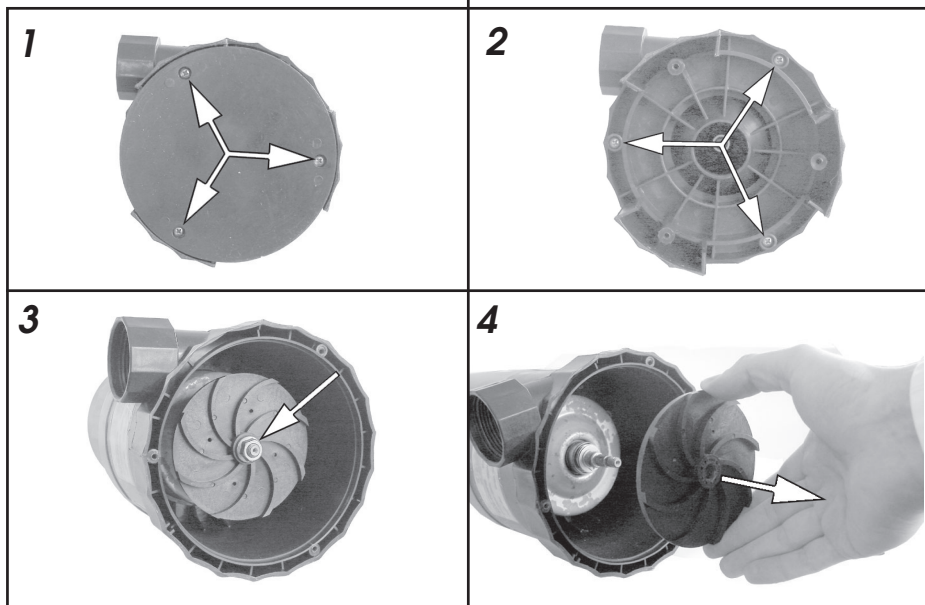
WARNING!

MAKE SURE THAT THE PUMP IS DISCONNECTED FROM THE MAINS SUPPLY BEFORE CLEANING, OR PERFORMING ANY MAINTENANCE.

- With the exception of replacing the impeller, these pumps should require no maintenance other than regular cleaning. If the pump starts to show signs of wear or damage, contact your CLARKE dealer for advice.
- Do not attempt any other repairs to the pump, any other repairs must be carried out by your CLARKE dealer, or contact the CLARKE Service Department, on 020 8988 7400.
- Check the pump regularly to ensure the base is clear of leaves or other debris.

Replacing the Impeller

- 1 Remove the 3 screws on the base cover and pull off the base cover.
- 2 Remove the 3 screws from the impeller cover, and remove the impeller cover.
- 3 Use a 13mm spanner to remove the nut.
- 4 Remove the impeller from the shaft.
- 5 Replace with a new impeller and lock it in place using the nut removed in step 3.
- 6 Replace the impeller cover and then replace the base cover.



TROUBLE SHOOTING

PROBLEM	PROBABLE CAUSE
Pump will not start.	Water level too low - float switch in OFF position. Float switch may be jammed against side wall, or prevented from moving.
Pump will start but not pump.	Check that the base is not blocked. Discharge tube clogged or obstructed. The head may be too great, i.e. you are trying to lift the water too great a distance for the pump to cope with. (See specification chart page 3). Air lock in the pump, produced during the plunge. Plunge the pump again, at an angle, and shake it whilst lowering to remove any air trapped in the system. Impeller may be damaged - Replace the Impeller.
Pump will not stop.	Float switch may be prevented from moving to the fully down position. Float switch may be faulty. Consult your CLARKE dealer for advice.
Pump stops running.	Thermal overload has operated. If this condition persists, investigate the cause. Pump has run dry, or float switch has cut in. A foreign object has jammed the impeller.

PARTS & SERVICE CONTACTS

For spare parts and service, please contact your nearest dealer, or CLARKE International, on one of the following numbers.

PARTS & SERVICE TEL: 020 8988 7400

or e-mail as follows:

PARTS: Parts@clarkeinternational.com

SERVICE: Service@clarkeinternational.com



DECLARATION OF CONFORMITY

This is an important document and should be retained.



We declare that this product complies with the following directives:

- 89/336/EEC *Electromagnetic Compatibility directive, as amended.*
73/23/EEC *Low Voltage Equipment directive, amended by 93/68/EEC.*
2002/95/EC *Restriction of Hazardous substances*

The Following Standards have been applied to the product:

- BS EN 55014-1:2001+A1,A2 BS EN 55014-2:1997+A1
BS EN 61000-3-3:1995+A1 BS EN 61000-3-2:2000

The technical documentation required to demonstrate that the products meet the requirements of the Low Voltage Equipment directive has been compiled and is available for inspection by the relevant enforcement authorities.

The CE mark was first applied in: **2006**

Product Description: Dirty Water Submersible Water Pump
Model number(s): LVP1A
Serial / batch Number: Current Manufacture.
Date of Issue: 01/05/2008

Signed

A.C. AIKEN

Senior Manager Clarke International.

A SELECTION FROM THE VAST RANGE OF

Clarke®

QUALITY PRODUCTS

AIR COMPRESSORS

From DIY to industrial, Plus air tools, spray guns and accessories.

GENERATORS

Prime duty or emergency standby for business, home and leisure.

POWER WASHERS

Hot and cold, electric and engine driven - we have what you need

WELDERS

Mig, Arc, Tig and Spot.
From DIY to auto/industrial.

METALWORKING

Drills, grinders and saws for DIY and professional use.

WOODWORKING

Saws, sanders, lathes, mortisers and dust extraction.

HYDRAULICS

Cranes, body repair kits, transmission jacks for all types of workshop use.

WATER PUMPS

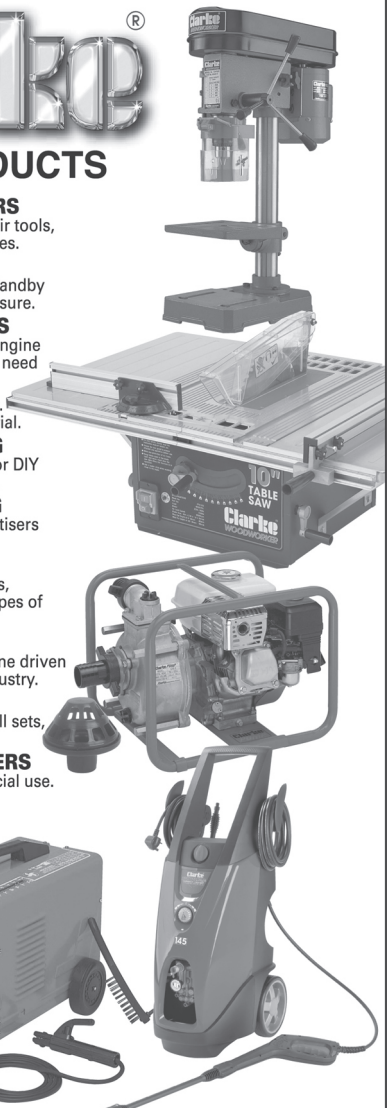
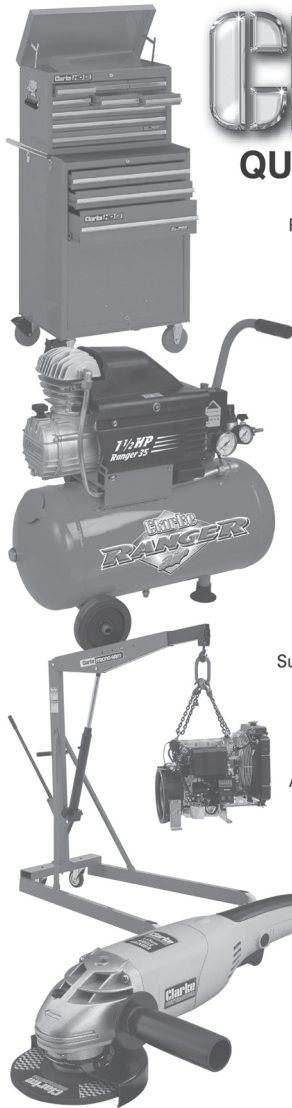
Submersible, electric and engine driven for DIY, agriculture and industry.

POWER TOOLS

Angle grinders, cordless drill sets, saws and sanders..

STARTERS/CHARGERS

All sizes for car and commercial use.



PARTS & SERVICE: 0208 988 7400

E-mail: Parts@clarkeinternational.com or Service@clarkeinternational.com

SALES: UK 01992 565333 or Export 00 44 (0)1992 565335

Clarke® INTERNATIONAL Hemnall Street, Epping, Essex CM16 4LG
www.clarkeinternational.com