

A SELECTION FROM THE VAST RANGE OF

# Clarke®

**QUALITY PRODUCTS**

**AIR COMPRESSORS**

*From DIY to industrial. Plus air tools, spray guns and accessories.*

**GENERATORS**

*Prime duty or emergency standby for business, home and leisure.*

**POWER WASHERS**

*Hot and cold, electric and engine driven - we have what you need.*

**WELDERS**

*Mig, Arc, Tig and Spot. From DIY to auto/industrial.*

**METALWORKING**

*Drills, grinders and saws for DIY and professional use.*

**WOODWORKING**

*Saws, sanders, lathes, mortisers and dust extraction.*

**HYDRAULICS**

*Cranes, body repair kits, transmission jacks for all types of workshop use.*

**WATER PUMPS**

*Submersible, electric and engine driven for DIY, agriculture and industry.*

**POWER TOOLS**

*Angle grinders, cordless drill sets, saws and sanders.*

**STARTER/CHARGERS**

*All sizes for car & commercial use.*



# Clarke™

## air



## DEHUMIDIFIER

MODEL NO: DMD65

PART No: 6470636

**Clarke INTERNATIONAL**

For spare parts and servicing, please contact your nearest dealer, or Clarke International on

**020 - 8988 - 7400**

e-mail: [Parts@clarkeinternational.com](mailto:Parts@clarkeinternational.com) e-mail: [Service@clarkeinternational.com](mailto:Service@clarkeinternational.com)

**Hemnal Street, Epping, Essex CM16 4LG**

## OPERATION & MAINTENANCE INSTRUCTIONS





**Do not dispose of with general household waste. It must be disposed of according to law, at a properly recognised disposal facility**

Please note that the details and specifications contained herein, are correct at the time of going to print. However, CLARKE International reserve the right to change specifications at any time without prior notice.

## Maintenance

### WARNING

FAILURE TO CARRY OUT ROUTINE MAINTENANCE WILL AFFECT THE MACHINE PERFORMANCE AND RESULTING IN PREMATURE FAILURE, THIS COULD ALSO INVALIDATE THE WARRANTY.

**MAINTENANCE ACTIVITIES MUST ALWAYS BE CARRIED OUT BY QUALIFIED PERSONNEL ONLY**

**ALWAYS disconnect the unit from the power supply before carrying out any maintenance activities.**

These dehumidifiers are fairly maintenance free, only requiring periodic cleaning. All internal parts sealed and lubricated for the life of the unit.

The front face of the cooling coil requires cleaning at least once a month, more often if the unit is used in dusty environments.

Loosen and remove all cover securing screws (12off), **NOTE: at least 1 cover screw is fitted with a shakeproof washer and MUST, be fitted when reassembling the unit.** Disconnect the ON/OFF switch and the hour counter at the white harness connector to completely remove the top cover.

The plastic drip tray can be cleaned using a clean dry soft cloth, DO NOT use harmful chemicals or cleaning agents. To access the drip tray, remove the tray retaining screws, two at the front and two at the rear then lower the tray assembly.

Clean the inside of the unit by carefully blowing out any dust using compressed air.

Pay particular attention to the fan blade and motor, ensure the motor spins freely.

Reassemble the unit in the reverse order.

### IMPORTANT

**When carrying out maintenance activities, precautions to ensure the safety of yourself and that of others around you must be considered, i.e. choose a location where it is safe to use compressed air to blow the unit out.**

**Any necessary safety equipment, especially safety glasses and ear defenders must be worn.**

## Storage

Switch OFF the power supply and disconnect from the main electrical supply by removing the plug from the socket.

Allow any accumulated moisture in the drip tray to drain away before moving the unit. Ideally the unit should not be moved for at least 15 minutes after switching off.

Ensure the unit is kept upright at all times.

**Clarke** INTERNATIONAL

Thank you for purchasing this CLARKE Dehumidifier.

Before attempting to use the machine, please read this manual thoroughly and follow the instructions carefully. In doing so you will ensure the safety of yourself and that of others around you, and you can look forward to the unit giving you long and satisfactory service.

## CLARKE GUARANTEE

This CLARKE product is guaranteed against faulty manufacture for a period of 12 months from the date of purchase. Please keep your receipt as proof of purchase.

This guarantee is invalid if the product is found to have been abused or tampered with in any way, or not used for the purpose for which it was intended.

Faulty goods should be returned to their place of purchase, no product can be returned to us without prior permission.

This guarantee does not effect your statutory rights.

## Specifications

Model No: ..... DMD 65

Part No: ..... 6470636

Voltage: ..... 230 & 110/115 Volt 1Phase 50Hz

Fuse Rating: ..... See Product Data Plate (13A-230v & 16A-110v)

Running Current: ..... 3.5A (230v) & 7.3A (110v)

Refrigerant: ..... R417A (R59)

Temperature Range: ..... 5° to 35°C

Weight: ..... 44Kg

Dimensions: ..... 740mm (H) x 540mm (W) x 510mm (D)

Max Motor Wattage When Running: ..... 820W

Max Extraction Rate: ..... 60 litres (24 hrs)

The **DMD65** is equipped with a manually operated dual voltage selector switch as standard.

The **DMD65** is designed for **INTERNAL USE ONLY**.

Extension leads, if used, should be; correctly rated for the inductive load, fully unwound, loosely coiled and never run through water or over sharp edges, this applies equally to the mains lead on the dehumidifier.

## Safety Precautions



**WARNING:**

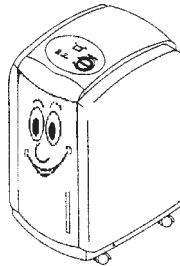


As with all machinery, there are certain hazards involved with their operation and use. Exercising respect and caution will considerably lessen the risk of personal injury. However, if normal safety precautions are overlooked or ignored, personal injury to the operator or damage to property, may result.

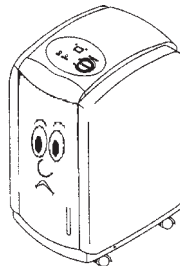
Care must be taken when handling water near electricity as there is risk of electric shock

**WARNING!** Read these safety instructions before using the equipment.

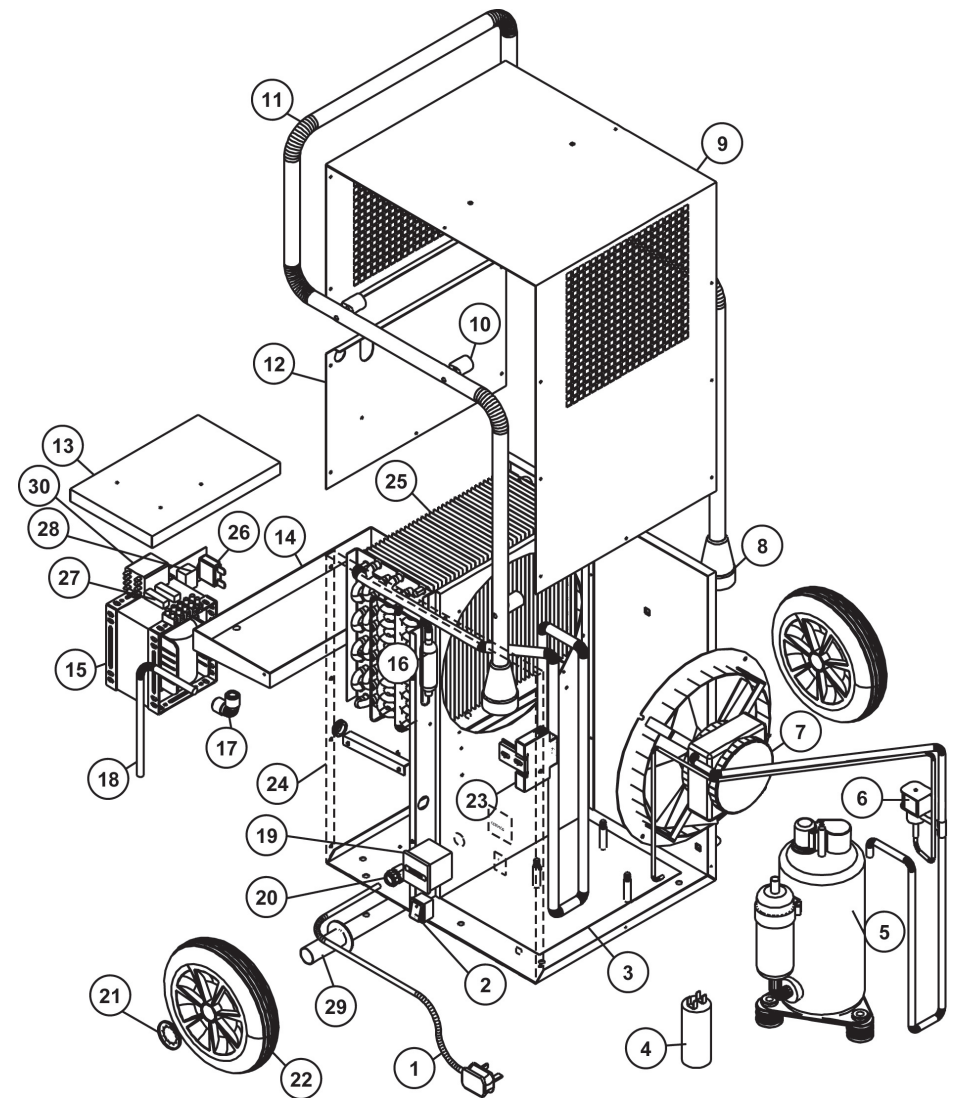
- Always** transport, store and operate this equipment in an upright position **DO NOT** lay the unit down.
- Always** leave the unit to stand for 15 minutes minimum before switching on if it has been tilted or moved from an upright position i.e. after transportation or cleaning.
- Always** allow a gap of 300mm around the unit to allow air to circulate.
- Always** ensure that the air inlet and outlet areas are clear.
- Always** remove the mains plug from the mains supply before carrying out any maintenance.
- Always** switch off, unplug and drain any water from the dehumidifier before moving.
- Always** switch the electrical supply off and disconnect from the mains, when not in use.



- Never** use the unit near heaters or other sources of heat.
- Never** place anything on the top of this unit, and never obstruct the air intake/exhaust grills.
- Never** pour or spray water on the unit.
- Never** use solvent cleaners or other flammable liquids to clean the unit.
- Never** pull out the plug to stop or start the machine. Use the ON/OFF switch on the side of the unit.
- Never** pull on the mains cable to pull the plug from the socket or to move the machine



## Parts Diagram



## Parts List

Item	Part No	Description	Qty
1	EL020113	Mains Cable	1
2	EL030103	Push Button Switch	1
3	BW020362	Chassis	1
4	EL030303	Capacitor	1
5	FR010115	Compressor	1
6	FR010404	Solenoid Coil	1
7	FA040210	Fan Assembly	1
8	ME040523	Frame Bung	1
9	BW020370	Upper Case	1
10	ME040520	Saddle Washer	1
11	BW040325	Handle	1
12	BW020359	Front Panel	1
13	BW020363	Transformer Cover	1
14	BW020371	Drip Tray	1
15	EL030602	Transformer	1
16	FR020302	Filter Drier	1
17	ME040129	Right Angle Coupling	1
18	ME040131	Condensate Tube	1
19	EL030511	Hour Clock	1
20	ME040207	Cable Gland	1
21	FI060405	Star Washer	2
22	ME010102	Wheels	2
23	EL030510	Timer	1
24	BW020352	Lower Case	1
25	FR030309	CD/DX Coil	1
26	EL010210	Circuit Breaker	1
27	EL030906	Resistor	1
28	EL030123	Voltage Selector Switch	1
29	BW040322	Axle	1
30	EL030209	Switching Relay	1

**PARTS & SERVICE TEL: 020 8988 7400**

or e-mail as follows:

**PARTS: Parts@clarkeinternational.com**

**SERVICE: Service@clarkeinternational.com**

## Electrical Connections

The DMD65 is fitted with a **Manual Dual Voltage Selection Switch**, and can be connected into a standard 16amp 110v, or 13amp 230v supply once the correct plug has been fitted. To reduce the risk of shock, it is recommended to use a suitable **RCD** (residual current device).

### 230 Volt Mode

Connect the mains lead to a standard, 230 Volt (50Hz) electrical supply through an approved 13 amp BS 1363 plug, or a suitably fused isolator switch.

**WARNING! THIS APPLIANCE MUST BE EARTHED**

**IMPORTANT:** Wires in the mains lead are coloured in accordance with the following code:

Green & Yellow ..... Earth  
 Blue ..... Neutral  
 Brown ..... Live

As the colours of the flexible lead of this appliance may not correspond with the coloured markings identifying terminals in your plug, or your mains supply, proceed as follows:

- Connect GREEN & YELLOW coloured cord to plug terminal marked with a letter "E" or Earth symbol "⏚" or coloured GREEN or GREEN & YELLOW.
- Connect BROWN cord to terminal marked with a letter "L" or coloured RED.
- Connect BLUE cord to terminal marked with a letter "N" or coloured BLACK.

### Fuse Rating

The fuse in the plug must be replaced with one of the same rating (**13amp**) and this replacement must be ASTA approved to BS1362.

### 110 Volt Mode

These models **must** be connected to a protected 110V supply, through a suitably approved BS4343/IEC309-2 connector, . On no account must a 230V, 13amp (BS1363) plug be used.

**NOTE: If a portable 110V transformer is used, make sure it has a rated capacity sufficient to take the load of the unit.**

In the event that the unit is hard wired into the electrical system, it must be carried out in accordance with IEE regulations.

**WARNING!**  
 IF YOU ARE IN ANY DOUBT ABOUT ELECTRICAL CONNECTIONS, CONSULT A  
 QUALIFIED ELECTRICIAN.  
 NEVER ATTEMPT ELECTRICAL REPAIRS YOURSELF.

## Installation

Little installation is required other than siting the dehumidifier on a firm, flat and level surface, selecting the power supply voltage and setting the unit selector switch accordingly, connecting to the main electric supply and choosing the method of disposing of collected water.

The voltage selector switch is accessed by removing the bottom panel (4 screws) at the rear of the dehumidifier. **NOTE: at least 1 cover screw is fitted with a shakeproof washer and MUST, be fitted when refitting the cover.**

This equipment is designed to work in temperatures between **5°C & 35°C**, **Never** operate in temperatures below 5°C or above 35°C. If the temperature in the room rises above 35°C, switch the unit OFF. Failure to switch OFF could cause the compressor to overheat, resulting in premature failure.

If used in temperatures below 5°C, the coil may frost up and no water will be produced until the defrost cycle commences.

**NOTE: if using an extension lead, ensure it is correctly rated for the inductive load, fully unwound and never run through water or over sharp edges.**



## Operation

Never attempt to use the dehumidifier for anything other than it's intended purpose.

The DMD65 is fitted with an electronic hour run counter which is not resettable. Before switching the dehumidifier **ON**, take a note of the hours run counter to assist with monitoring the amount of time the unit is run.

After moving the dehumidifier into the location to be used, allow the unit to stand for 15 minutes before switching it on.

Ensure all doors and windows are closed and the area sealed where possible, this aids to speed the dehumidification/drying process.

Plug the unit into the power supply and switch the supply **ON**.

Switch the unit **ON** by depressing the **ON/OFF** switch marked **I/O, I= ON, O=OFF**. The **ON/OFF** switch is located next to the hour counter.

The dehumidifier is now running, allow a minimum of 10mins for it to begin dehumidifying/drying.

The water collected can be drained automatically using a suitable length of hose (not supplied) connected to the outlet port, ensure the hose is kept below the outlet port for its entire length, otherwise flooding of the unit will occur.

Alternatively the collected water can be drained into a suitable container (builders bucket or similar). It is important to keep an eye on the water level in the bucket and empty regularly to prevent it from overflowing.

When emptying the bucket, either turn the unit **OFF**, or replace full bucket with an empty one.

## Troubleshooting

If your dehumidifier fails to operate correctly, check the information below before contacting your Clarke dealer for assistance.

PROBLEM	PROBABLE CAUSE	REMEDY
Unit fails to operate.	Power failure.	Check the unit is plugged into the correct power supply & switched ON. Check breaker. Reset if necessary. Check plug fuse ( <b>13amp</b> ). Replace if necessary.
Poor drying performance.	Dehumidifier in automatic defrost mode. Coils Dirty. Air intake/exhaust grills obstructed. Temperature outside of specified operating range.	Normal ~ wait 15mins and check drying again. Clean coils, using compressed air if available. Remove obstruction, check min clearance around unit, re-site if necessary. Check the environment temperature ~ if too low, switch unit OFF and add heat to area. If temp is too high, switch the unit Off and wait for temperature to drop.
Water leaking.	Blocked drain hose. Water receptacle full and overflowing. Receptacle not under outlet port. Drain hose higher than the outlet port. Unit has been moved without draining the inner drip tray. Unit iced up.	Clear blockage. Check level and empty if required. Move the water receptacle. Adjust the hose level, check the water flows. Ensure the drip tray is empty before moving the unit. Dehumidifier run below min temperature.
Compressor stops running.	Input voltage too low. Klixon operated due to excess current or temperature.	Check voltage. Switch the unit OFF, wait 15mins before switching back ON.

**Note: The DMD65 transformer is protected with an internal 10amp resettable circuit breaker, the breaker is accessed by removing the bottom panel (4 screws) at the rear of the dehumidifier. NOTE: at least 1 cover screw is fitted with a shakeproof washer and MUST, be fitted when refitting the cover.**