

CLARK®

air



18 INCH BOX FAN

MODEL NO: CBF18

PART NO: 3230465

OPERATION & MAINTENANCE INSTRUCTIONS



LS0414

INTRODUCTION

Thank you for purchasing this CLARKE 18 inch Box Fan.

Before attempting to use this product, please read this manual thoroughly and follow the instructions carefully. In doing so you will ensure the safety of yourself and that of others around you, and you can look forward to your purchase giving you long and satisfactory service.

GUARANTEE

This product is guaranteed against faulty manufacture for a period of 12 months from the date of purchase. Please keep your receipt which will be required as proof of purchase.

This guarantee is invalid if the product is found to have been abused or tampered with in any way, or not used for the purpose for which it was intended.

Faulty goods should be returned to their place of purchase, no product can be returned to us without prior permission.

This guarantee does not effect your statutory rights.

ENVIRONMENTAL RECYCLING POLICY



Through purchase of this product, the customer is taking on the obligation to deal with the WEEE in accordance with the WEEE regulations in relation to the treatment, recycling & recovery and environmentally sound disposal of the WEEE.

In effect, this means that this product must not be disposed of with general household waste. It must be disposed of according to the laws governing Waste Electrical and Electronic Equipment (WEEE) at a recognised disposal facility.

ELECTRICAL CONNECTIONS



WARNING! Read these electrical safety instructions thoroughly before connecting the product to the mains supply.

Before switching the product on, make sure that the voltage of your electricity supply is the same as that indicated on the rating plate. This product is designed to operate on 230VAC 50Hz. Connecting it to any other power source may cause damage.

This product may be fitted with a non-rewireable plug. If it is necessary to change the fuse in the plug, the fuse cover must be refitted. If the fuse cover becomes lost or damaged, the plug must not be used until a suitable replacement is obtained.

If the plug has to be changed because it is not suitable for your socket, or due to damage, it should be cut off and a replacement fitted, following the wiring instructions shown below. The old plug must be disposed of safely, as insertion into a mains socket could cause an electrical hazard.

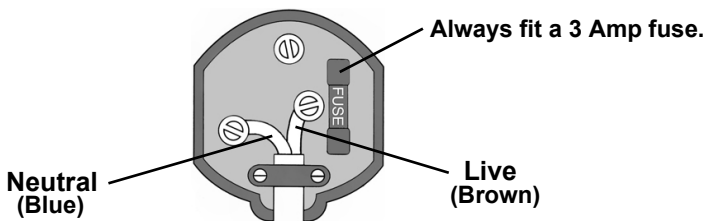


**WARNING! The wires in the power cable of this product are coloured in accordance with the following code:
Blue = Neutral Brown = Live**

If the colours of the wires in the power cable of this product do not correspond with the markings on the terminals of your plug, proceed as follows.

- The wire which is coloured **Blue** must be connected to the terminal which is marked **N** or coloured **Black**.
- The wire which is coloured **Brown** must be connected to the terminal which is marked **L** or coloured **Red**.

Plug must be BS1363/A approved.



Ensure that the outer sheath of the cable is firmly held by the clamp

We strongly recommend that this machine is connected to the mains supply via a Residual Current Device (RCD)

If in any doubt, consult a qualified electrician. DO NOT attempt any repairs yourself.



This symbol indicates that this is a Class II product, and does not require an earth connection.

SAFETY PRECAUTIONS

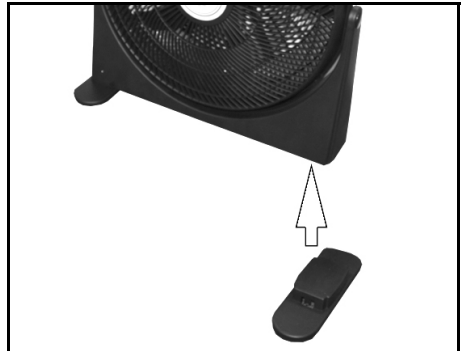
- **DO NOT** use in dusty environments.
- Indoor use only.
- **DO NOT** use in environments with high fumes from chemicals etc.
- **DO NOT** use as an extractor fan.
- **DO NOT** use in areas of high humidity/water vapour, i.e. bathrooms etc.
- **DO NOT** connect fan to ducting system.
- **DO NOT** cover the fan with clothing or any material that will restrict free airflow through the fan
- Never touch the blades with your hand or any object.

OPERATION

FITTING THE FEET

Insert the feet as shown.

- The feet will snap into place when secure.



TILTING THE FAN

You can adjust the angle of the fan by holding the base and grill and tilting the fan to the required angle.



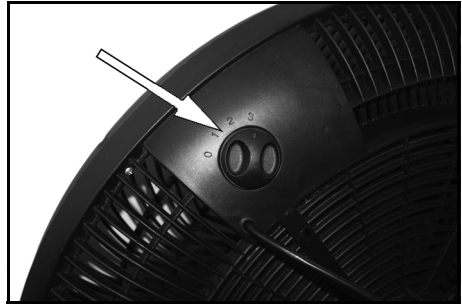
ADJUSTING THE SPEED



WARNING: NEVER OPERATE THE FAN WITH EITHER FRONT OR REAR GRILLS REMOVED.

1. Connect the power plug to an appropriate power outlet.
2. Select the desired speed using the selector switch 0/1/2/3.

0	Off
1	Low speed
2	Medium speed
3	High speed



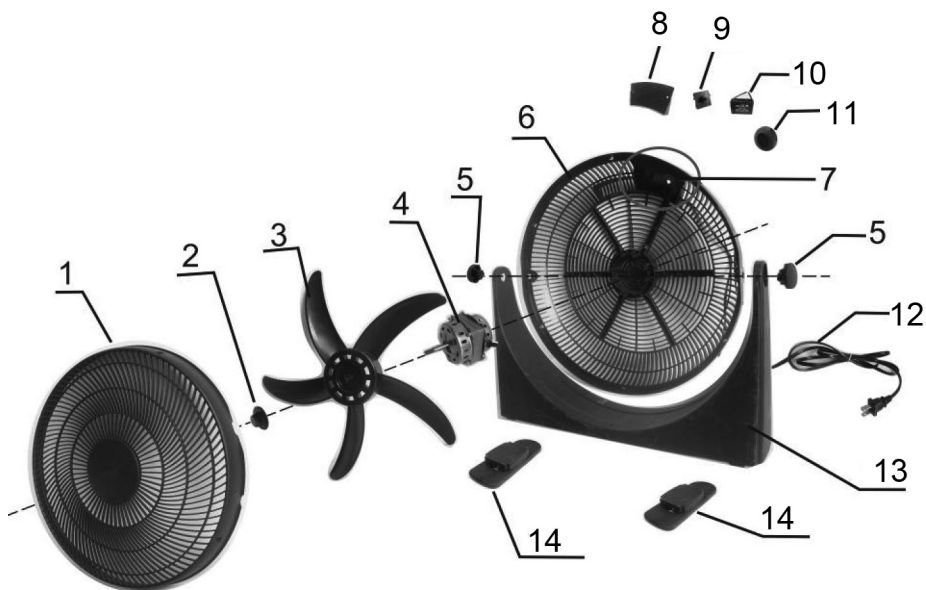
MAINTENANCE

- Please observe the safety precautions.
- Remove the plug from the power outlet before cleaning.
- Use a moist cloth and if required a mild detergent to clean the surfaces of the fan.
- Do not use solvents or thinners to clean the fan.
- Store the fan in a cool and dry place.

SPECIFICATIONS

Voltage:	230 VAC (50Hz)	
Wattage:	120 W	
Fan Speeds	Setting 1	900 RPM
	Setting 2	1050 RPM
	Setting 3	1230 RPM
Dimensions (L x W x H):	590 x 250 x 595 mm	
Weight:	4 kg	

PART LIST AND DIAGRAM



No	DESCRIPTION	PART NUMBER	No	DESCRIPTION	PART NUMBER
1	Front Guard	KWCBF1801	8	Control Box Cover	KWCBF1808
2	Locking Nut	KWCBF1802	9	Switch	KWCBF1809
3	Fan Blade	KWCBF1803	10	Capacitor	KWCBF1810
4	Fan Motor	KWCBF1804	11	Speed Control Switch	KWCBF1811
5	Pivot Pin	KWCBF1805	12	Power Cord	KWCBF1812
6	Rear Guard	KWCBF1806	13	Base	KWCBF1813
7	Control Box	KWCBF1807	14	Foot	KWCBF1814

DECLARATION OF CONFORMITY



Clarke[®]
INTERNATIONAL

Hemnall Street, Epping, Essex CM16 4LG

DECLARATION OF CONFORMITY

This is an important document and should be retained.

We hereby declare that this product(s) complies with the following directive(s):

2004/108/EC *Electromagnetic Compatibility Directive.*
2006/95/EC *Low Voltage Equipment Directive.*
2011/65/EU *Restriction of Hazardous substances.*

The following standards have been applied to the product(s):

EN 55014-1:2006+A1:2009, EN 55014-2:1997+A1:2001+A2:2008, EN 61000-3-3:2008,
EN 61000-3-2:2006 +A1:2009 +A2:2009, EN 60335-1:2002 +A15:2011,
EN 60335-2-80:2002 +A1:2004 +A2:2008, EN 62233:2008.

The technical documentation required to demonstrate that the product(s) meet(s) the requirement(s) of the aforementioned directive(s) has been compiled and is available for inspection by the relevant enforcement authorities.

The CE mark was first applied in: 2011

Product Description: 18" Box fan
Model number(s): CBF18
Serial / batch Number: N/A
Date of issue: 24/07/2013

Signed:



.....

J.A. Clarke
Director

A SELECTION FROM THE VAST RANGE OF

Clarke®

QUALITY PRODUCTS

AIR COMPRESSORS

From DIY to industrial, Plus air tools, spray guns and accessories.

GENERATORS

Prime duty or emergency standby for business, home and leisure.

POWER WASHERS

Hot and cold, electric and engine driven - we have what you need

WELDERS

Mig, Arc, Tig and Spot. From DIY to auto/industrial.

METALWORKING

Drills, grinders and saws for DIY and professional use.

WOODWORKING

Saws, sanders, lathes, mortisers and dust extraction.

HYDRAULICS

Cranes, body repair kits, transmission jacks for all types of workshop use.

WATER PUMPS

Submersible, electric and engine driven for DIY, agriculture and industry.

POWER TOOLS

Angle grinders, cordless drill sets, saws and sanders.

STARTERS/CHARGERS

All sizes for car and commercial use.



PARTS & SERVICE: 020 8988 7400

E-mail: Parts@clarkeinternational.com or Service@clarkeinternational.com

SALES: UK 01992 565333 or Export 00 44 (0)1992 565335

Clarke® INTERNATIONAL Hemnall Street, Epping, Essex CM16 4LG
www.clarkeinternational.com