

# Clantrike®

## STRONG-ARM



## VEHICLE POSITIONING JACK

Model No: VPJ300

PART NO: 7624100

## OPERATING & MAINTENANCE INSTRUCTIONS



GC0911

---

# INTRODUCTION

---

Thank you for purchasing this CLARKE Vehicle Positioning Jack.

Before attempting to use this product, please read this manual throughout and follow the instructions carefully. Thoroughly familiarise yourself with this product & its operation in order to ensure the safety of yourself and others around you. In so doing, you can look forward to the product giving you long and satisfactory service.

## GUARANTEE

This product is guaranteed against faulty manufacture for a period of 12 months from the date of purchase. Please keep your receipt which will be required as proof of purchase. This guarantee is invalid if the product is found to have been abused or tampered with in any way, or not used for it's intended purpose.

Faulty goods should be returned to their place of purchase, no product can be returned to us without prior permission. This guarantee does not effect your statutory rights.

---

## CONTENTS

---

INTRODUCTION .....	2
GUARANTEE .....	2
SPECIFICATION .....	3
GENERAL SAFETY PRECAUTIONS .....	4
OVERVIEW .....	5
OPERATION .....	6
TROUBLESHOOTING .....	7
CLEANING & MAINTENANCE .....	7
COMPONENT PARTS .....	9
DECLARATION OF CONFORMITY .....	11

---

## SPECIFICATION

---

VPJ300	
Part Number	7624100
Weight	17.8 kg
Dimensions (L x W x H )	540 x 630 x 330 mm
Roller Distance (min-max)	345 - 630 mm
Maximum vehicle weight	2700 kg
Maximum tyre width	300 mm (12")
Rated load per wheel/ Jack	680 kg

Please note that details and specifications contained herein, are correct at the time of going to print. However, CLARKE International reserve the right to change specifications at any time without prior notice.

---

# GENERAL SAFETY PRECAUTIONS

---

## GENERAL

1. ALWAYS read and ensure you fully understand the following precautions and the hazards associated with this product. Do not allow anyone who has not read these instructions to use this jack.
2. Only use this jack for its intended purpose.
3. NEVER carry out any modifications to this product. If experiencing difficulty of any kind consult your local dealer.
4. ALWAYS use appropriate safety equipment, such as protective footwear, when using this jack.

## WORK AREA

1. DO NOT use the jack on inclined surfaces. It must only be used on level ground. The jack may move away as soon as it lifts the tyre from the ground surface.
2. DO NOT overload the jack beyond the load rating (680 kg per jack).
3. DO NOT start the vehicle engine with the jacks in use. The jacks are only designed for hand manoeuvring vehicles.
4. DO NOT use the jack to lift tyres wider than 300mm (12 inches).
5. DO NOT attempt to push the jack over obstacles when supporting a vehicle. It is only designed to be used on level and reasonably smooth surfaces.
6. Never allow children or bystanders in the area while the jack is in use.
7. Always engage the castor wheel brakes if the jack is left unattended while supporting a vehicle. This product is not intended to support the vehicle permanently, only for moving.
8. NEVER work underneath a vehicle supported only by this product. If working under a vehicle, always use stands designed for the purpose.

## SERVICING & REPAIRS

1. Check the jack for damage before use and DO NOT use if damaged. Any damage should be properly repaired or the defective part replaced. If in doubt, DO NOT use. Consult your local dealer.
2. ALWAYS use spare parts supplied by Clarke International. Using non-standard parts could be extremely dangerous.
3. Ensure that the jack is properly maintained at all times and that no corrosion or other damage is allowed to weaken any part of it.

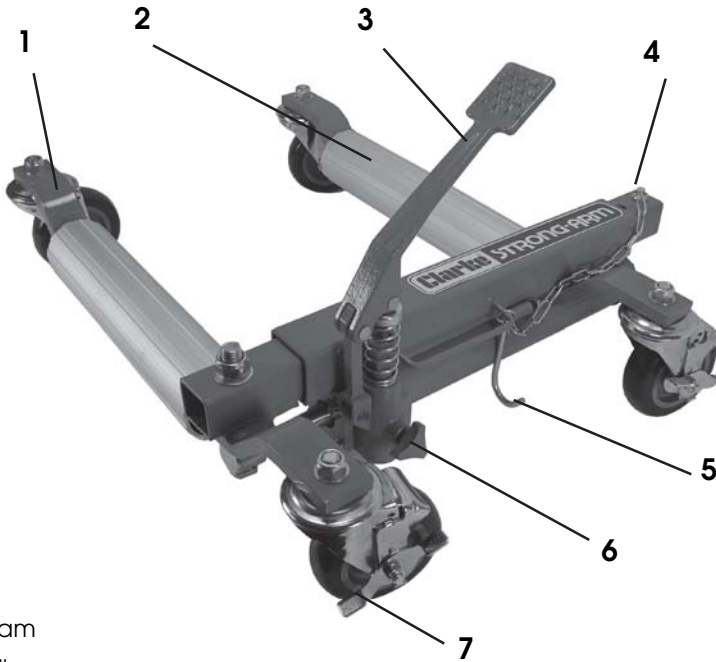
4. When necessary, have your jack serviced or repaired by a qualified technician using identical replacement parts. This will ensure that the safety of the jack is maintained.
5. NEVER use the jack if it has been subjected to excess load (over 680 kg) or shock. The jack should be removed from service immediately and fully inspected by qualified personnel and passed as serviceable before being used again.

**Please keep these instructions in a safe place for future reference.**

---

## OVERVIEW

---

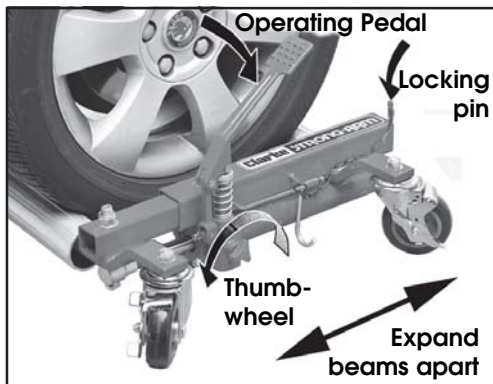


1. Beam
2. Roller
3. Operating Pedal
4. Locking Pin
5. Pedal Locking Hook
6. Release Valve Thumb-wheel
7. Castor Wheel with Brake

## OPERATION

Before use, visually inspect the jack for distortion of parts, cracked welds, damaged castors, oil leaks, or any other sign of damage. Should any of these be apparent, have the jack inspected and repaired by a qualified technician before putting back into use.

1. With the jack on the floor, hold the operating pedal down to release the pedal locking hook.
2. Pull out the locking pin from the frame.
3. Open the release valve by turning the thumb-wheel counter-clockwise.
4. Expand the jack beams apart by hand, enough to position around the vehicle tyre so that both rollers are in contact with the tyre tread.



5. Replace the locking pin into the most suitable locating hole.
6. Close the release valve by turning the thumbwheel clockwise until tight.
  - The jack may now be used.
  - Ensure the jack is parallel to the sidewall of the tyre. Leave clearance between the tyre wall and the jack frame.
7. To lift the tyre, pump the operating pedal, depressing with smooth, even strokes of the foot. Continue until the tyre is lifted from the ground no more than one inch.
8. Always use the brakes, on each of the front swivelling castors, to prevent the vehicle moving unintentionally once supported clear of the ground.
9. Repeat the process with the other tyres and jacks (if purchased). Use two jacks to move the front or back of the vehicle. Use four jacks for complete mobility.
10. To lower the jack, open the release valve by turning the thumb-wheel slowly counter-clockwise. The beams of the jack should move apart under the weight of the vehicle and the jack may be removed when the rollers are no longer bearing any weight.

## TROUBLESHOOTING

PROBLEM	CAUSE	SOLUTION
Jack will not raise wheel off the ground.	Low oil level.	Check for leakage and top up if required via the oil plug.
	Air in cylinder.	Pump pedal to purge air from system.
	O-rings worn.	Return to your Clarke dealer for overhaul.
Jack will not hold the load and beams gradually move apart.	Release valve not tightly closed.	Check valve is closing fully.
	Release valve not seating.	Return to your Clarke dealer for overhaul.
Jack does not lower naturally when valve opened.	Vehicle tyre under-inflated. (Rollers unable to rotate).	Inflate tyres to correct pressure.

## CLEANING AND MAINTENANCE

If the jack has been stored for long periods, check for oil leaks before use and top up via the oil plug on the side of the oil tank if necessary.

Oil can be topped up using Clarke Hydraulic Oil, part no. 3050830 for 1 litre, part no. 3050835 for 5 litres).

If the warning labels become worn or illegible have them replaced.

In the event of damage or broken components, replacements are available from Clarke Parts & Service.

## ENVIRONMENTAL PROTECTION



If disposing of this product or any damaged components, do not dispose of with general waste. This product contains valuable raw materials and should be taken to your local civic amenity site for recycling of metal products.

## STORAGE

1. Store in a dry place with the ram fully retracted and the foot pedal held by the pedal locking hook.
2. Support stands for storage of the jacks are available from your Clarke dealer. Refer to Clarke Part Number 7624105.



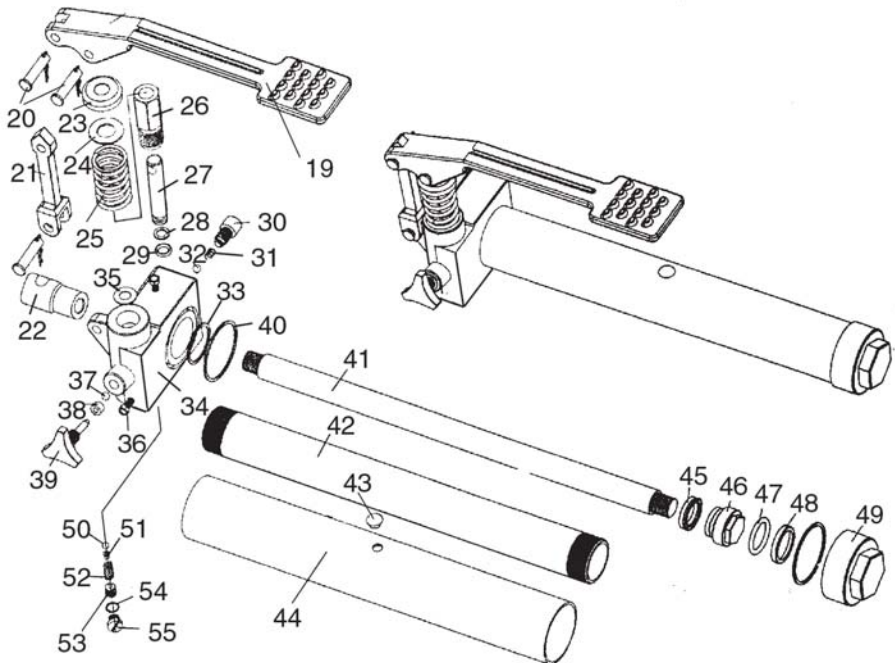
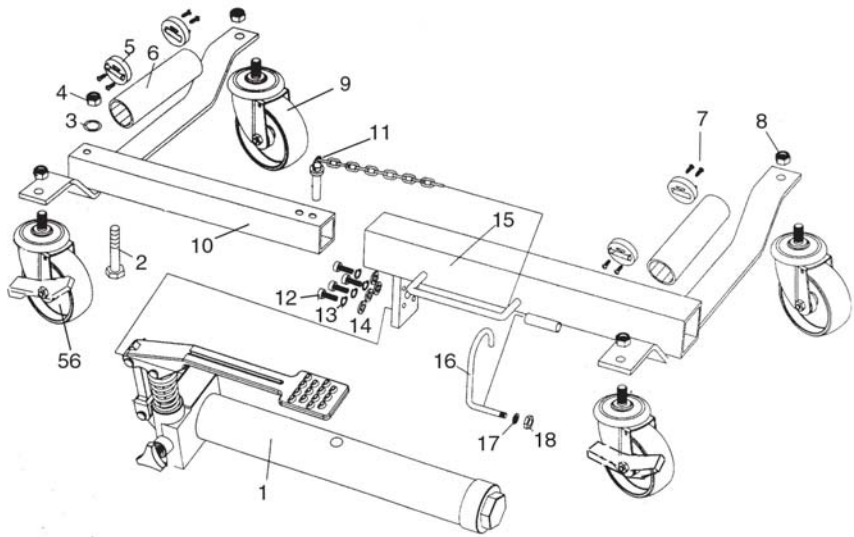
Support Stand empty



Support Stand carrying four jacks



# COMPONENT PARTS



# COMPONENT PARTS

No	Parts List	Part No
1	Ram Assembly	JMVPJ30001
2	Bolt M16 x 115 mm	JMVPJ30002
3	Flat Washer 16 dia	JMVPJ30003
4	Nut M16	JMVPJ30004
5	Roller Guide Block	JMVPJ30005
6	Roller Tube	JMVPJ30006
7	Locking Screw	JMVPJ30007
8	Locknut M12	JMVPJ30008
9	Swivel Castor (unbraked)	JMVPJ30009
10	Inner Frame	JMVPJ30010
11	Lock Pin with Chain	JMVPJ30011
12	Socket Head Bolt M6 x 20	JMVPJ30012
13	Lock Washer 6 mm dia	JMVPJ30013
14	Flat Washer 6 mm dia	JMVPJ30014
15	Outer Frame	JMVPJ30015
16	Clasp Hook	JMVPJ30016
17	Washer	JMVPJ30017
18	Nut	JMVPJ30018
19	Foot Pedal	JMVPJ30019
20	Hinge Pin 8 dia x 28 mm	JMVPJ30020
21	Connecting Arm	JMVPJ30021
22	Connecting Piece	JMVPJ30022
23	Spring Cover	JMVPJ30023
24	Flat Washer	JMVPJ30024
25	Spring	JMVPJ30025
26	Pump Actuator	JMVPJ30026
27	Pump Piston	JMVPJ30027
28	O-Ring	JMVPJ30028

No	Description	Part No
29	Secondary O-Ring	JMVPJ30029
30	Grubscrew M10 x 1.25	JMVPJ30030
31	Small Spring	JMVPJ30031
32	Steel Ball 6 dia	JMVPJ30032
33	Copper Washer	JMVPJ30033
34	Ram Base	JMVPJ30034
35	Copper Washer	JMVPJ30035
36	N/a	JMVPJ30036
37	Steel Ball 5 dia	JMVPJ30037
38	Sealing Ring	JMVPJ30038
39	Release Thumbwheel	JMVPJ30039
40	Tank Washer	JMVPJ30040
41	Ram	JMVPJ30041
42	Cylinder	JMVPJ30042
43	Oil Plug	JMVPJ30043
44	Oil Tank	JMVPJ30044
45	End Seal	JMVPJ30045
46	Piston End Cap	JMVPJ30046
47	Piston O-Ring	JMVPJ30047
48	Bowl Sealing Ring	JMVPJ30048
49	Tank End Cap	JMVPJ30049
50	Steel Ball 6 dia	JMVPJ30050
51	Steel Ball Seat	JMVPJ30051
52	Safety Valve Spring	JMVPJ30052
53	Safety Valve Screw	JMVPJ30053
54	O-Ring	JMVPJ30054
55	Screw	JMVPJ30055
56	Swivel Castor (Braked)	JMVPJ30056

# DECLARATION OF CONFORMITY



**Clarke**<sup>®</sup>  
**INTERNATIONAL**

Hemnal Street, Epping, Essex CM16 4LG

## DECLARATION OF CONFORMITY

**This is an important document and should be retained.**

**We hereby declare that this product(s) complies with the following directive(s):**

*2006/42/EC Machinery Directive.*

**The following standards have been applied to the product(s):**

*EN 1494:2000*

The technical documentation required to demonstrate that the product(s) meet(s) the requirement(s) of the aforementioned directive(s) has been compiled and is available for inspection by the relevant enforcement authorities.

The CE mark was first applied in: 2008

<b>Product Description:</b>	12" Hydraulic Vehicle Positioning Jack
<b>Model number(s):</b>	VPJ300
<b>Serial / batch Number:</b>	N/A
<b>Date of Issue:</b>	17/03/2011

Signed:

J.A. Clarke  
Director

# A SELECTION FROM THE VAST RANGE OF

# Clarke®

## QUALITY PRODUCTS

### AIR COMPRESSORS

From DIY to industrial, Plus air tools, spray guns and accessories.

### GENERATORS

Prime duty or emergency standby for business, home and leisure.

### POWER WASHERS

Hot and cold, electric and engine driven - we have what you need

### WELDERS

Mig, Arc, Tig and Spot. From DIY to auto/industrial.

### METALWORKING

Drills, grinders and saws for DIY and professional use.

### WOODWORKING

Saws, sanders, lathes, mortisers and dust extraction.

### HYDRAULICS

Cranes, body repair kits, transmission jacks for all types of workshop use.

### WATER PUMPS

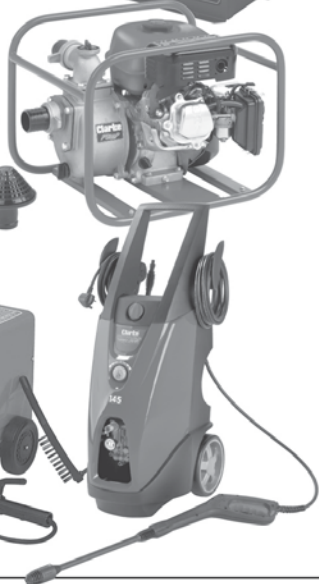
Submersible, electric and engine driven for DIY, agriculture and industry.

### POWER TOOLS

Angle grinders, cordless drill sets, saws and sanders.

### STARTERS/CHARGERS

All sizes for car and commercial use.



**PARTS & SERVICE: 0208 988 7400**

**E-mail: [Parts@clarkeinternational.com](mailto:Parts@clarkeinternational.com) or [Service@clarkeinternational.com](mailto:Service@clarkeinternational.com)**

**SALES: UK 01992 565333 or Export 00 44 (0)1992 565335**

**Clarke** INTERNATIONAL Hemnall Street, Epping, Essex CM16 4LG  
[www.clarkeinternational.com](http://www.clarkeinternational.com)