

CLARKE®

STRONG-ARM



2 TONNE GARAGE JACK

MODEL NO: CTJ2QLP

PART NO: 7621820

OPERATION & MAINTENANCE INSTRUCTIONS



ORIGINAL INSTRUCTIONS

GC0120 - ISS -2

INTRODUCTION

Thank you for purchasing this CLARKE Garage Jack.

Before attempting to use this product, please read this manual thoroughly and follow the instructions carefully. In doing so you will ensure the safety of yourself and that of others around you, and you can look forward to your purchase giving you long and satisfactory service.

SPECIFICATIONS

	CTJ2QLP
Weight	30kg
Dimensions (L x W x H) without handle	680 x 340 x (less wheels) x 210mm
Rated Load	2 tonne (2000kg)
Height of saddle from floor (minimum)	75 mm
Height of saddle from floor (maximum)	510 mm
Pump oil capacity	0.19L
Number of strokes min-max height	6

GUARANTEE

This product is guaranteed against faulty manufacture for a period of 12 months from the date of purchase. Please keep your receipt which will be required as proof of purchase.

This guarantee is invalid if the product is found to have been abused or tampered with in any way, or not used for the purpose for which it was intended.

Faulty goods should be returned to their place of purchase, no product can be returned to us without prior permission.

This guarantee does not effect your statutory rights.

SAFETY PRECAUTIONS

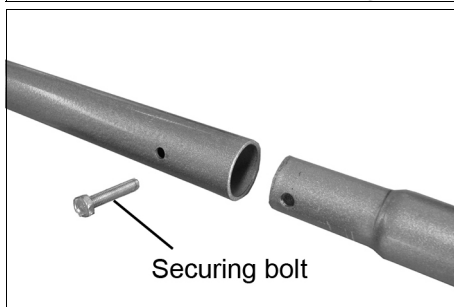
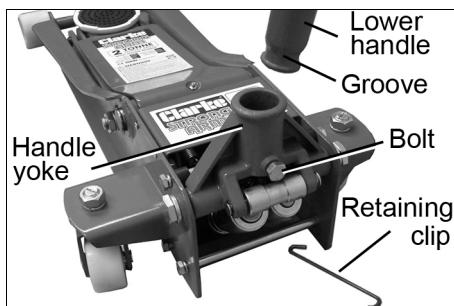


WARNING: THE OPERATOR MUST FOLLOW ALL INSTRUCTIONS WITHIN THIS INSTRUCTION BOOKLET

1. This jack is for lifting only, do not move a load using the jack as a dolly.
2. Do not use to lift people.
3. Always inspect the jack before use. Make sure that all parts are in good condition and operating smoothly, and that no cracks or distortion is apparent. If in doubt do not use. Have the damaged parts replaced or consult your CLARKE dealer.
- 4. Make sure that the jack is on a firm, solid, level base, and that there is no possibility of it slipping when under load.**
5. Make sure the load is taken by the full saddle and that the point of lift on the load, is strong enough to support the load adequately.
- 6. Do not work under the raised vehicle until it is supported by suitable means e.g. axle stands, NEVER rely on the jack to support the vehicle by itself.**
7. Never push a load off the jack.
8. Ensure that all personnel are well clear of a load being raised or lowered.
9. Do not try to lift more than the rated load for the jack, (See "Specifications" on page 2.)
10. Do not use the jack if an oil leak is apparent. Consult your Clarke dealer.
11. Consult the vehicle handbook to determine the correct lifting points.
12. It is necessary that the operator watch the jack and the load during operation.
13. Check the condition of the labels regularly and replace as required.
14. The jack must be maintained and repaired in accordance with these instructions and such work be carried out by qualified persons.
15. Do not make any adjustments to any valves on the jack.

UNPACKING AND ASSEMBLY

1. Remove the retaining clip by pressing the handle yoke downwards and pulling the clip away.
2. Loosen the bolt in the yoke until the lower handle can be inserted fully into the handle socket.
 - The lower handle has a groove which should engage with the bolt once it is re-tightened.
 - The socket in the handle will engage with the jack control valve at the base of the yoke.
3. Tighten the bolt to secure the lower handle to the jack.
4. Add the upper handle by sliding it onto the lower handle and secure with the bolt provided.



OPERATION

This jack incorporates a twin piston pump with a 'quick lift' facility. This provides the user with a rapid raising operation for the unloaded jack. When the jack encounters a load (the vehicle to be raised), its distance raised per stroke reduces to provide a gradual and controllable lifting operation.

Before use, inspect the jack for oil leaks or any other sign of damage. Should any be apparent, have the jack repaired by a qualified technician.



WARNING: NEVER WORK ON THE VEHICLE WHEN SUPPORTED ONLY BY A JACK WHICH IS A HIGHLY DANGEROUS PRACTICE. THE VEHICLE MUST BE SUPPORTED ON AXLE STANDS OR SUITABLE SUPPORTS, BENEATH THE CORRECT JACKING/SUPPORT POINTS.

1. Ensure the vehicle to be raised is stable and on firm level ground with the wheels chocked.
2. Position the jack so that the saddle is directly beneath the lifting point.
 - Consult the vehicle handbook to determine suitable lifting points.
3. Twist the handle clockwise to close the control valve.

4. Pump the handle to raise the saddle until it reaches the jacking point.
5. Take care that no obstruction prevents a clean lift. Keep all personnel at a safe distance before lifting the vehicle.

NOTE: The jack may move slightly during operation. It is important therefore, that the floor is clean and completely free from debris.

6. Position axle stands directly beneath suitable supporting points on the vehicle and very gently twist the handle anticlockwise.
 - This will open the control valve to lower the load onto the stands.
7. To stop it lowering at any point, turn the handle clockwise again. Always avoid a rapid descent by turning the handle slowly.
8. Carefully lower the vehicle onto the axle stand, checking constantly, preferably with an assistant, that the vehicles jacking point rests snugly and cleanly on the axle stand, and that the stand is stable before the weight is taken.

NOTE: Ensure this operation is carried out under complete control. DO NOT allow the load to drop suddenly as this could damage internal parts.

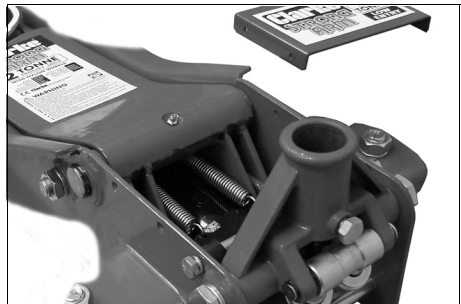
9. Completely remove the jack from the vehicle.

MAINTENANCE

PURGING AIR FROM THE SYSTEM

If air bubbles become trapped inside the hydraulic system, the efficiency of the jack will be reduced. If the air cannot be dispersed just by pumping the handle with the valve open, it can be purged from the system as follows.

1. Turn the control valve counter-clockwise, relieving the pressure within the jack, then remove the cover plate & oil filler plug.
 - A broad-bladed screwdriver is required for the plug.
2. Pump the handle several times to purge air from the system.
3. Replace the oil filler plug, then turn the control valve clockwise and test the jack. If efficiency is still low, check the oil level as below.



CHECKING /MAINTAINING THE OIL LEVEL

If the jack has been stored for long periods, check for oil leaks before use. If necessary, check the oil level as follows:

1. Ensure the jack is fully lowered by turning the control valve anticlockwise.
2. Remove the cover plate and the oil filler plug.
 - The oil should be almost level with the bottom of the oil filler hole.
 - It can be topped up using Clarke Hydraulic Oil (p/no 3050830 for 1 litre).
3. Purge any air from the system and replace the oil filler plug.
4. Dispose of any old/spilled oil appropriately and wipe up any spillage.

GENERAL CARE

1. Periodically lubricate the hinges, front wheels & rear castors with light oil. Should the arm become stiff, apply a shot of grease to the grease nipple on the top of the lifting arm as shown above.
2. Store in a dry location.
3. In the event of damage or broken components, replacements are available from Clarke Parts & Service.

STORAGE

1. Store in a dry place with the ram fully lowered. If stored for long periods, inspect at least once a year, clean and re-oil. For servicing, contact your CLARKE dealer, or CLARKE International Service Department.

ENVIRONMENTAL PROTECTION

One of the most damaging sources of environmental pollution is oil products. Never throw away used hydraulic oil with domestic refuse or flush it down a sink or drain. Collect any hydraulic oil in a leak proof container and take it to your local waste disposal site.

If disposing of this product or any damaged components, do not dispose of with general waste. This product contains valuable raw materials and should be taken to your local civic amenity site for recycling of metal products.

TROUBLESHOOTING

PROBLEM	CAUSE	SOLUTION
Jack will not lift the rated load	Low oil level	See 'Checking the Oil Level' on p 6
	Valve not closed	Turn the release knob fully clockwise
	Air in the system	Purge the system as on p 5
Jack lower when under load	Release valve not fully closed	Turn the release knob fully clockwise
	Air in the system	Purge the system as on p 5
Pump feels Spongy	Low oil level	See 'Checking the Oil Level' on p 6
	Air in the system	Purge the system as on page 5
Jack will not lift full height	Low oil level	See 'Checking the Oil Level' on p 6
	Air in the system	Purge the system as on p 5
Jack will not lower completely	Return spring may be faulty	Return to your Clarke dealer for repair
If any of these remedies fail to restore your jack, consult your Clarke dealer		

DECLARATION OF CONFORMITY



DECLARATION OF CONFORMITY

This is an important document and should be retained.

We hereby declare that this product(s) complies with the following directive(s):
2006/42/EC Machinery Directive.

The following standards have been applied to the product(s):
BS EN 1494:2000+A1:2008

The technical documentation required to demonstrate that the product(s) meet(s) the requirements of the aforementioned directive(s) has been compiled and is available for inspection by the relevant enforcement authorities.

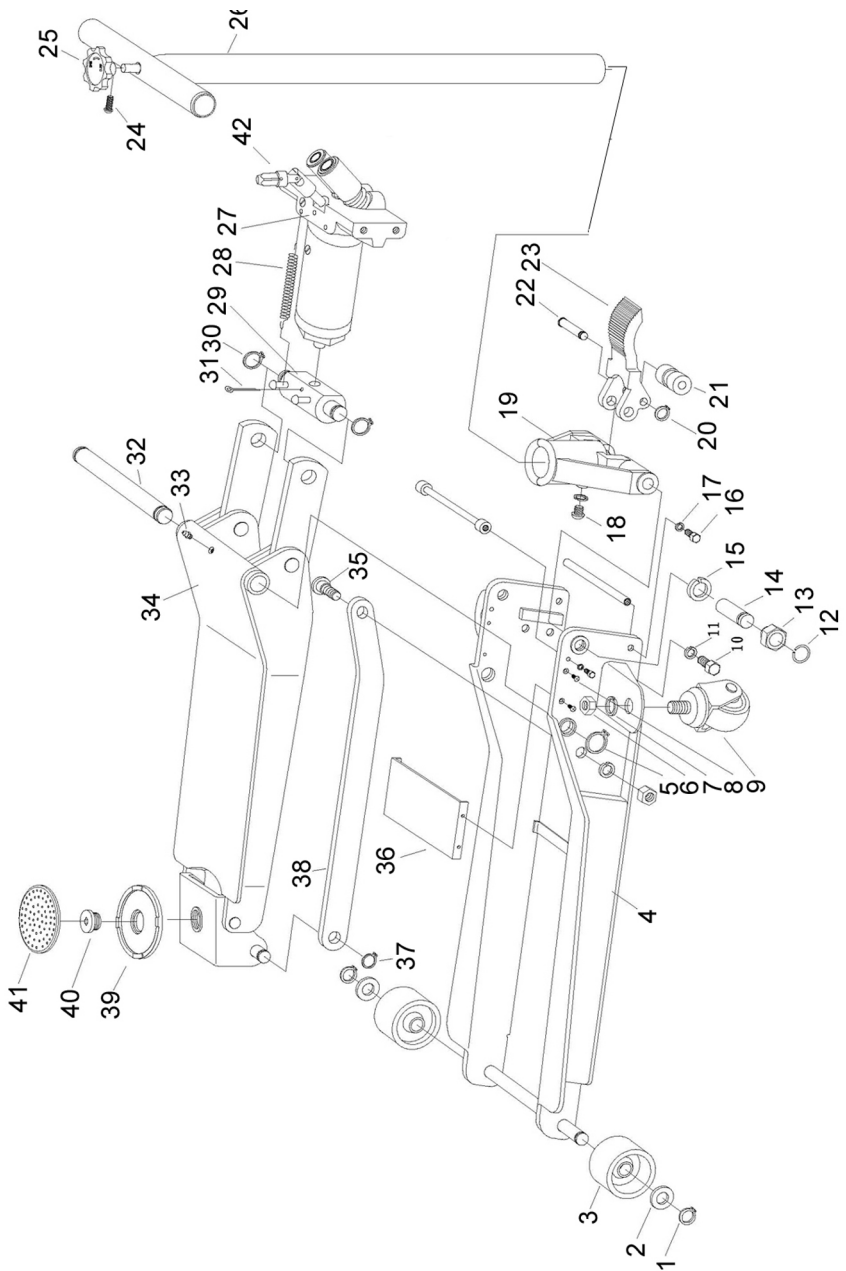
The CE mark was first applied in: 2012

Product Description: 2 Tonne quick lift jack
Model number(s): CTJ2QLP
Serial / batch Number: N/A
Date of issue: 18/09/12

J.A. Clarke
Director

Signed:

COMPONENT PARTS - GENERAL ASSEMBLY



COMPONENT PARTS-GENERAL ASSEMBLY

	Description
1	Circlip 20mm
2	Washer 12mm
3	Front wheel
4	Chassis frame
5	Nut M16
6	Washer M16
7	Screw M5x12
8	Rear castor assembly
9	Screw M10x 12
10	Washer M10
11	Yoke bolt
12	Washer M18
13	Circlip 12mm
14	Yoke roller
15	Handle yoke
16	Yoke roller pin
17	Handle set screw

	Description
18	Upper handle
19	Lower handle
20	Screw M6 x 35
21	U-joint
22	Hydraulic unit
23	Return spring
24	Circlip 22mm
25	Connecting block
26	Split pin A4 x 55
27	Circlip 25mm
28	Lifting arm shaft
29	Cover plate
30	Lifting arm
31	Saddle
32	Saddle screw
33	Rubber pad
34	Handle grip

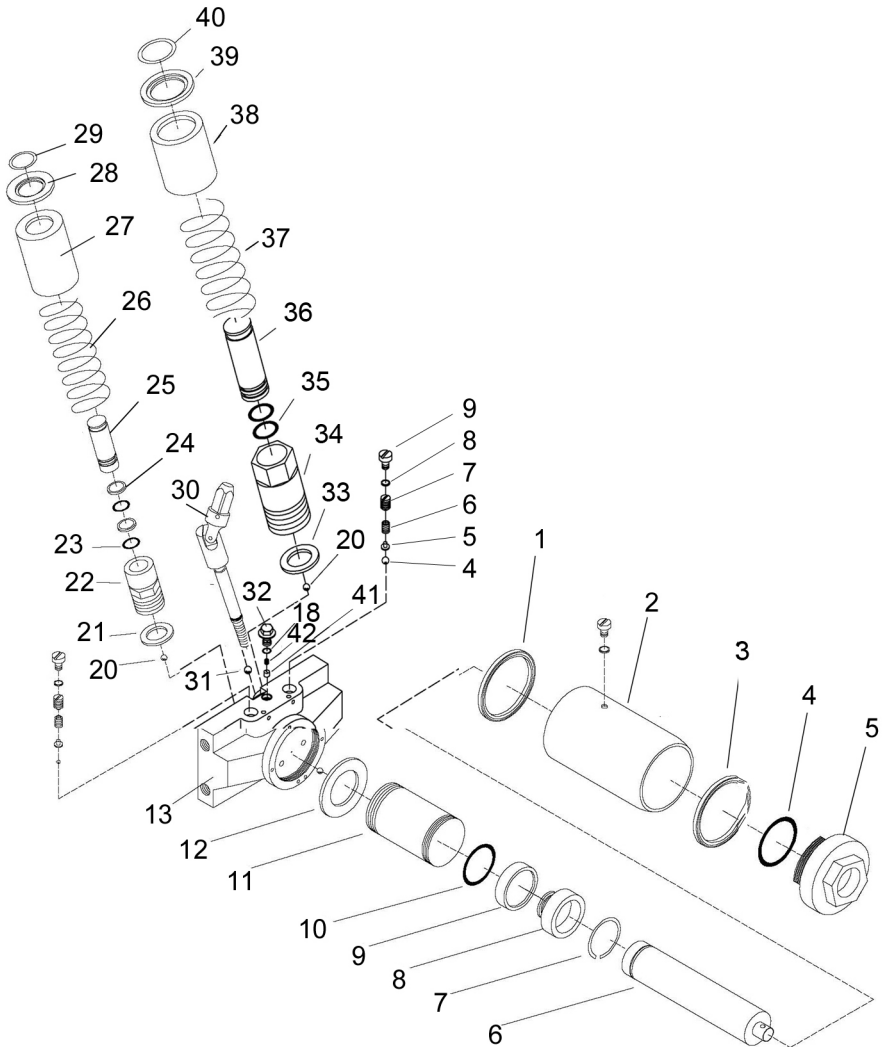
COMPONENT PARTS - HYDRAULIC PARTS

	Description
1	Sealing ring
2	Reservoir
3	Sealing ring
4	O-ring 29x3.55 #
5	Top nut
6	Ram
7	Circlip 30mm
8	Ram base
9	Washer
10	O-ring 24.6 x 5.1 #
11	Cylinder
12	Copper sealing ring
13	Body casting
14	Steel ball 4mm
15	Valve base
16	Spring
17	Safety valve screw
18	O-ring 7.1 x 1.8
19	Safety valve end screw
20	Steel ball 5mm
21	Copper sealing ring

	Description
22	High pressure piston housing
23	O-ring 10 x 2.65 #
24	Retaining ring 15 x 10.6 x 1.25
25	High pressure piston
26	Spring
27	Dust cover
28	Spring base
29	Retaining ring 15mm
30	Universal joint
31	Steel ball 6mm
32	Slow release valve seat
33	Copper sealing ring
34	Low pressure piston housing
35	O-rings 17X2.65 #
36	Low pressure piston
37	Return spring
38	Dust cover
39	Spring base
40	Retaining ring 22mm
41	Slow release pin
42	Slow release pin spring

- Items marked # are components of the Repair Seal Kit.

COMPONENT PARTS - HYDRAULIC PARTS



A SELECTION FROM THE VAST RANGE OF

Clarke®

QUALITY PRODUCTS

AIR COMPRESSORS

From DIY to industrial, Plus air tools, spray guns and accessories.

GENERATORS

Prime duty or emergency standby for business, home and leisure.

POWER WASHERS

Hot and cold, electric and engine driven - we have what you need

WELDERS

Mig, Arc, Tig and Spot. From DIY to auto/industrial.

METALWORKING

Drills, grinders and saws for DIY and professional use.

WOODWORKING

Saws, sanders, lathes, mortisers and dust extraction.

HYDRAULICS

Cranes, body repair kits, transmission jacks for all types of workshop use.

WATER PUMPS

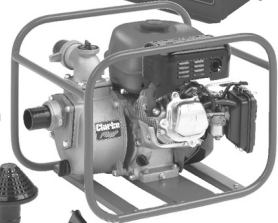
Submersible, electric and engine driven for DIY, agriculture and industry.

POWERTOOLS

Angle grinders, cordless drill sets, saws and sanders.

STARTERS/CHARGERS

All sizes for car and commercial use.



PARTS & SERVICE: 0208 988 7400

E-mail: Parts@clarkeinternational.com or Service@clarkeinternational.com

SALES: UK 01992 565333 or Export 00 44 (0)1992 565335

Clarke® INTERNATIONAL Hemnall Street, Epping, Essex CM16 4LG
www.clarkeinternational.com