

# CLAMPBRO®

## STRONG-ARM



### QUICK LIFT HYDRAULIC JACK

MODEL NO: CTJ2250Q & QM

PART NO: 7623071 & 7623073

### OPERATION & MAINTENANCE INSTRUCTIONS



ORIGINAL INSTRUCTIONS

GC1117 - ISS 1

---

## INTRODUCTION

---

Thank you for purchasing this CLARKE Garage Jack. This manual covers the CTJ2250Q and the CTJ2250QM which is supplied in a blow moulded case.

Before attempting to use this product, please read this manual thoroughly and follow the instructions carefully. In doing so you will ensure the safety of yourself and that of others around you, and you can look forward to your purchase giving you long and satisfactory service.

---

## SPECIFICATIONS

---

Length (not including handle):	550 mm
Width:	205 mm
Min height of saddle from floor:	135 mm
Max height of saddle from floor:	387 mm
Weight:	12.6 kg
Number of full strokes to maximum height:	5 stroke quick, 12 in total
Oil Capacity:	120 ml
Rated Load:	2.25 tonne

---

## GUARANTEE

---

This product is guaranteed against faulty manufacture for a period of 12 months from the date of purchase. Please keep your receipt which will be required as proof of purchase.

This guarantee is invalid if the product is found to have been abused or tampered with in any way, or not used for the purpose for which it was intended.

Faulty goods should be returned to their place of purchase, no product can be returned to us without prior permission. This guarantee does not effect your statutory rights.

---

## SAFETY PRECAUTIONS

---



**WARNING: THE OPERATOR MUST FOLLOW ALL INSTRUCTIONS WITHIN THIS INSTRUCTION BOOKLET**

---

1. This jack is for lifting only. Do not move a load using the jack as a dolly.
2. Do not use to lift people.
3. Always inspect the jack before use. Make sure that all parts are in good condition and operating smoothly, and that no cracks or distortion is apparent. If in doubt do not use. Have the damaged parts replaced or consult your CLARKE dealer.
- 4. Make sure that the jack is on a firm level base, and there is no possibility of it slipping when under load.**
5. Make sure the load is taken by the full saddle and that the point of lift on the load, is strong enough to support the load adequately.
- 6. Do not work under the raised vehicle until it is supported by suitable means e.g. axle stands, NEVER rely on the jack to support the vehicle by itself.**
7. Never push a load off the jack.
8. Ensure that all personnel are well clear of a load being raised or lowered.
9. Do not try to lift more than the rated load for the jack.
10. Do not use the jack if an oil leak is apparent. Consult your Clarke dealer.
11. Consult the vehicle handbook to determine the correct lifting points.
12. Always watch the jack and the load during operation.
13. Check the condition of the labels regularly and replace as required.
14. The jack must be maintained and repaired by suitably qualified persons.
15. Do not make any modifications to this jack or adjust any valves.

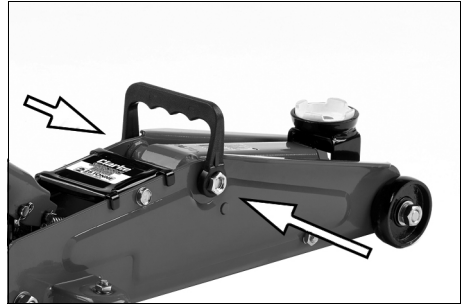
## ENVIRONMENTAL PROTECTION

One of the most damaging sources of environmental pollution is oil products. Never throw away used hydraulic oil with domestic refuse or flush it down a sink or drain. Collect any hydraulic oil in a leak proof container and take it to your local waste disposal site.

If disposing of this product or any damaged components, do not dispose of with general waste. This product contains valuable raw materials and should be taken to your local civic amenity site for recycling of metal products.

## BEFORE USE

1. Before use, attach the lifting handle by clipping it over the two large nuts at the main arm pivot.
2. Inspect the jack for oil leaks or any other sign of damage. If in doubt, do not use. Should any defects be apparent, have the jack repaired by your Clarke dealer.
3. Check the piston for dirt, rust etc which can damage the piston and internal components.



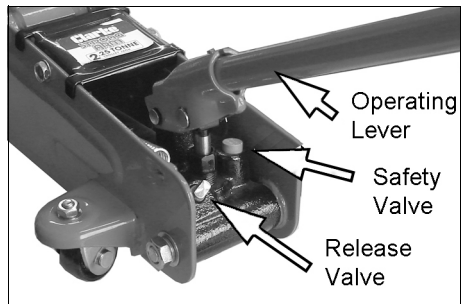
The jack is now ready to use.

## OPERATION



**WARNING: NEVER WORK ON THE VEHICLE WHEN SUPPORTED ONLY BY A JACK. THIS IS HIGHLY DANGEROUS. THE VEHICLE MUST BE SUPPORTED ON AXLE STANDS OR SUITABLE SUPPORTS BENEATH THE CORRECT JACKING/ SUPPORT POINTS.**

- This jack incorporates a 'quick lift' facility to provide the user with a rapid raising operation for the first five strokes of the unloaded jack. Thereafter, its distance raised per stroke reduces to provide a gradual and controllable lifting operation.
1. Ensure the vehicle to be raised is stable and on firm level ground with the wheels chocked.
    - The jack may move slightly during operation. It is important therefore, that the floor is clean and completely free from debris.
  2. Position the jack so that the saddle is directly beneath the lifting point.
    - Consult the vehicle handbook to determine the lifting points.
  3. Place the operating lever over the release valve and turn it fully clockwise to close the valve.



4. Place the operating lever in the jacking port and pump the operating lever to raise the saddle until it reaches the jacking point.
  5. Check that there are no obstacles to prevent a clean lift, also, make sure that all personnel are well away from the area, before raising the vehicle.
  6. Pump the handle to raise the vehicle to the required level.
    - If, at any time, the jack feels spongy, follow the bleeding procedure under Maintenance.
  7. Position suitable, good quality axle stands directly beneath the supporting points on the vehicle. Place the operating lever over the release valve and very gently twist the operating lever anti-clockwise to lower the load onto the stands.
  8. Check constantly, preferably with an assistant, that the vehicle is resting correctly on the axle stands and that the stands are stable before the weight is taken.
  9. Place the operating lever over the release valve and VERY slowly turn the handle anti-clockwise to lower the load on to the axle stands.
    - Ensure the axle stands are centred about the support point and perfectly stable before full weight is taken.
  10. To stop it lowering at any point, turn the operating lever clockwise again. Always avoid a rapid descent by turning the operating lever slowly.
- NOTE:** Ensure this is carried out under complete control. DO NOT allow the load to drop suddenly as this could damage internal parts.
11. Completely remove the jack from the vehicle.

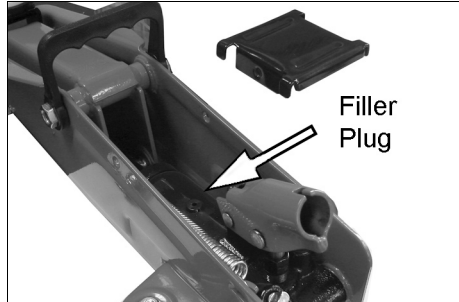
---

# MAINTENANCE

---

## CHECKING/MAINTAINING THE OIL LEVEL

1. Ensure the jack is fully lowered by turning the control valve fully anti-clockwise.
2. Remove the cover plate and the filler plug.
  - The oil should be almost level with the bottom of the filler hole.
  - Oil can be topped up using Clarke Hydraulic Oil (p/n 3050830 1 litre).
3. Bleed any air from the system as described below and replace the filler plug and cover plate.
4. Dispose of old/spilled oil appropriately and wipe up any spillage.



## BLEEDING AIR FROM THE SYSTEM

1. Use the operating lever to turn the release valve anti-clockwise, relieving pressure inside the jack.
2. Pump the operating lever several times to purge air from the system.
3. Turn the release valve clockwise and test the jack. If efficiency is still low, check the oil level as described above.
4. Wipe up any oil spillage and dispose of old/spilled oil appropriately.

## STORAGE

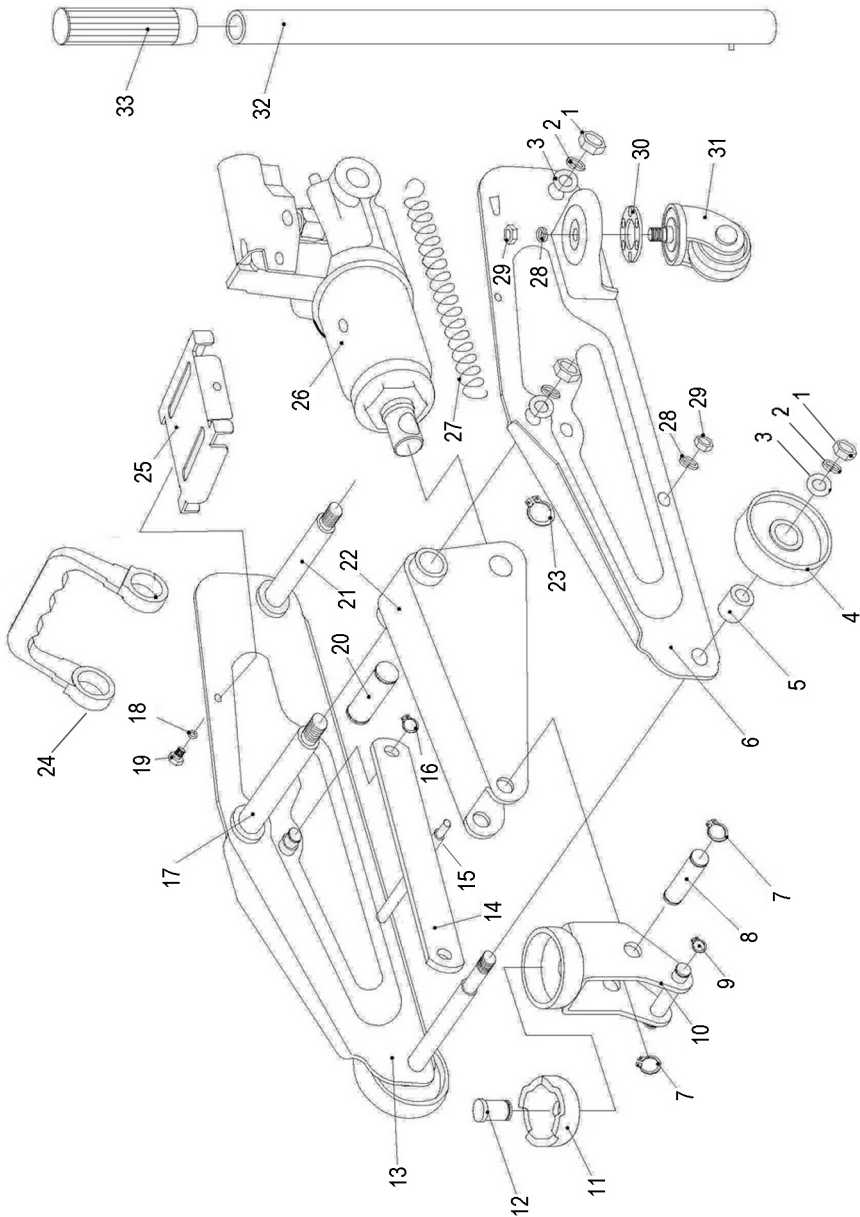
Store in a dry place, with the ram fully retracted, where it cannot be attacked by the elements. If stored for long periods, inspect at least once a year, clean any grime from the piston area.

## TROUBLESHOOTING

PROBLEM	CAUSE	SOLUTION
Jack will not lift the rated load	Low oil level	Check for leakage and top up if required.
	Release valve not closed	Turn release knob fully clockwise
	Air in the hydraulic ram	Bleed air as on page 6.
Jack lowers when under load	Release valve not fully closed	Turn the release knob fully clockwise
	Air in the hydraulic ram	Bleed air as on page 6.
Pump feels spongy	Low oil level	Check for leakage and top up if required.
	Air in the system	Bleed air as on page 6.
Handle raises or flies back under load	Air in the hydraulic ram	Bleed air as on page 6.
Jack will not lift full height	Low oil level	Check for leakage and top up if required.
	Air in the hydraulic ram	Bleed air as on page 6.
Jack will not lower completely	Return spring may be faulty.	Return to your Clarke dealer for repair

If any of these remedies fail to restore your jack, consult your Clarke dealer.

# COMPONENT PARTS - GENERAL ASSEMBLY





## COMPONENT PARTS - GENERAL ASSEMBLY

	Description
1	Nut
2	Spring Washer
3	Flat Washer
4	Front Wheel
5	Bush
6	Left Sideplate
7	Circlip
8	Spindle
9	Circlip
10	Lifting Saddle
11	Rotating Cup
12	Pivot
13	Right Sideplate
14	Link Plate
15	Cross-Tie Rod
16	Circlip
17	Main Hinge Pin

	Description
18	Washer
19	Bolt
20	Lower Hinge Pin
21	Rear Pivot Pin
22	Lifting Arm
23	Circlip
24	Plastic Lifting Handle
25	Cover Plate
26	Hydraulic Ram Assembly
27	Return Spring
28	Spring Washer
29	Locknut
30	Bearing Washer
31	Rear Castor
32	Operating Handle
33	Hand Grip

# DECLARATION OF CONFORMITY



**Clarke**<sup>®</sup>  
**INTERNATIONAL**

Hemnal Street, Epping, Essex CM16 4LG

## DECLARATION OF CONFORMITY

**This is an important document and should be retained.**

**We hereby declare that this product(s) complies with the following directive(s):**

*2006/42/EC Machinery Directive.*

**The following standards have been applied to the product(s):**

*EN 1494:2000+A1:2008.*

The technical documentation required to demonstrate that the product(s) meet(s) the requirement(s) of the aforementioned directive(s) has been compiled and is available for inspection by the relevant enforcement authorities.

The CE mark was first applied in: 2017

**Product Description:** 2.25 Tonne Quick Lift DIY Jack  
**Model number(s):** CTJ2250Q, CTJ2250QM  
**Serial / batch Number:** N/A  
**Date of Issue:** 18/09/2017

**Signed:**

**J.A. Clarke**  
**Director**

## USEFUL PRODUCTS IN THE CLARKE RANGE

### 3 TON AXLE STANDS



- Supplied in pairs
- Fitted with ratchet action for quick adjustment

Part No.7600015

### AWD1 AUTOMOTIVE WHEEL DOLLY



- Four swivel castors for easy movement in confined spaces
- Non marking white nylon castors
- Fits most vehicles
- Sold as a pair

Part No. 7630205

### CIR220 CORDLESS IMPACT WRENCH



- 24V, 1300mAh NiCd batteries
- ½" square drive
- Max torque 220Nm
- 2700 impacts/min
- Max bolt dia M14

Part No.4500635

### CMC40 CAR CREEPER



- Powder coated finish
- Vinyl covered back/headrest
- Six swivel castors
- Twin storage trays

Part No. 7630189

# A SELECTION FROM THE VAST RANGE OF

# Clarke®

## QUALITY PRODUCTS



**AIR COMPRESSORS**  
From DIY to industrial, Plus air tools, spray guns and accessories.

**GENERATORS**  
Prime duty or emergency standby for business, home and leisure.

**POWER WASHERS**  
Hot and cold, electric and engine driven - we have what you need

**WELDERS**  
Mig, Arc, Tig and Spot. From DIY to auto/industrial.

**METALWORKING**  
Drills, grinders and saws for DIY and professional use.

**WOODWORKING**  
Saws, sanders, lathes, mortisers and dust extraction.

**HYDRAULICS**  
Cranes, body repair kits, transmission jacks for all types of workshop use.

**WATER PUMPS**  
Submersible, electric and engine driven for DIY, agriculture and industry.

**POWERTOOLS**  
Angle grinders, cordless drill sets, saws and sanders.

**STARTERS/CHARGERS**  
All sizes for car and commercial use.



**PARTS & SERVICE: 0208 988 7400**

E-mail: [Parts@clarkeinternational.com](mailto:Parts@clarkeinternational.com) or [Service@clarkeinternational.com](mailto:Service@clarkeinternational.com)

**SALES: UK 01992 565333 or Export 00 44 (0)1992 565335**

**Clarke® INTERNATIONAL** Hemnall Street, Epping, Essex CM16 4LG  
[www.clarkeinternational.com](http://www.clarkeinternational.com)