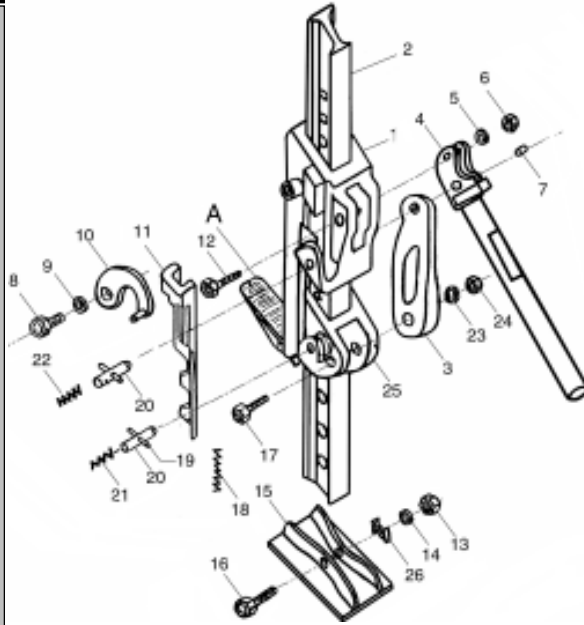


## PARTS LIST

No.	Description	Part No.
1	Large Runner	HT48001
2	Column	HT48002
3	Connecting Rod	HT48003
4	Handle	HT48004
5	Washer	HT48005
6	Nut	HT48006
7	Pin	HT48007
8	Screw	HT48008
9	Washer	HT48009
10	Reversing Latch	HT48010
11	Reversing Switch	HT48011
12	Bolt	HT48012
13	Nut	HT48013
14	Washer	HT48014
15	Base	HT48015
16	Bolt	HT48016
17	Bolt	HT48017
18	Spring	HT48018
19	Pin	HT48019
20	Locking Pin	HT48020
21	Spring	HT48021
22	Spring	HT48022
23	Washer	HT48023
24	Nut	HT48024
25	Small Runner	HT48025
26	Spring Lock Washer	HT48026



## SPARE PARTS and SERVICE CONTACTS

Please contact your nearest dealer, or CLARKE International as follows:

**PARTS & SERVICE TEL: 020 8988 7400**

or e-mail as follows:

**PARTS: [Parts@clarkeinternational.com](mailto:Parts@clarkeinternational.com)**

**SERVICE: [Service@clarkeinternational.com](mailto:Service@clarkeinternational.com)**

## SPECIFICATIONS

Maximum Working Height .....	1090mm (43 inches)
Minimum Height .....	100mm (25.5 inches)
Maximum Load .....	2,000kg (4400lbs) measured at a height of 1 foot
Minimum Load (for lowering) .....	50kg (110lbs)
Net Weight .....	13.6kg (30lbs)

# Clarke<sup>TM</sup> STRONG-ARM

## 48" FARMJACK

Model No. CFJ48

Part No. 3400300

## OPERATING & MAINTENANCE INSTRUCTIONS

### GUARANTEE

This CLARKE product is guaranteed against faulty manufacture for a period of 12 months from the date of purchase. Please keep your receipt which will be required as proof of purchase.

This guarantee is invalid if the product is found to have been abused in any way, or not used for the purpose for which it was intended. Faulty goods should be returned to their place of purchase, no product can be returned to us without prior permission.

This guarantee does not effect your statutory rights.



Thank you for purchasing this Clarke 48" Farm Jack.

This extremely versatile device, is designed to lift, pull or push, a maximum load of 2000 kg (4400lbs - 2Tonnes), and can raise a load up to 1.09mtrs (43"). Its applications are many and varied, from lifting equipment and machinery, to removing tree stumps or fence posts etc.

Before attempting to assemble or operate the unit, please read this instruction booklet thoroughly, and follow all directions carefully, paying particular attention to the safety precautions. By doing so, you will ensure the safe operation of the unit, and the safety of yourself and others around you. You can then look forward to long and reliable service from your CLARKE Farm Jack.

## SAFETY PRECAUTIONS

1. Always inspect the jack before use. Ensure that all parts are in good condition and operating smoothly, and that no cracks or distortion is apparent. If in doubt **do not use**.
2. Ensure the jack is on a firm solid base, and that there is no likelihood of it slipping when under load.
3. Ensure the load is taken by the **FULL** lifting nose (parts Diagram item A), and that the point of lift on the load, is of sufficient strength to support the full load adequately.
4. Always ensure that the load is stabilised or supported in such a way that it will not shift during lowering or lifting operations.
5. Always use supports to stabilise the load once lifted. **NEVER** work on or under a load unless it is fully and adequately supported. **Do not** rely upon jack to hold load in position.
6. Never push a load off the jack.
7. Ensure that all personnel are well clear of a load being raised, lowered or pulled.
8. It is strongly advised that industrial gloves are worn at all times when using the jack. Take care not to trap fingers within the moving parts.
9. When using the jack to pull or drag a load, be aware that the load may suddenly 'give', eg. Pulling a tree stump etc. Take the necessary precautions.
10. **NEVER** carry the jack by the handle, as the column may drop and cause damage to persons or property, **ALWAYS** carry via the column.

## OPERATING INSTRUCTIONS

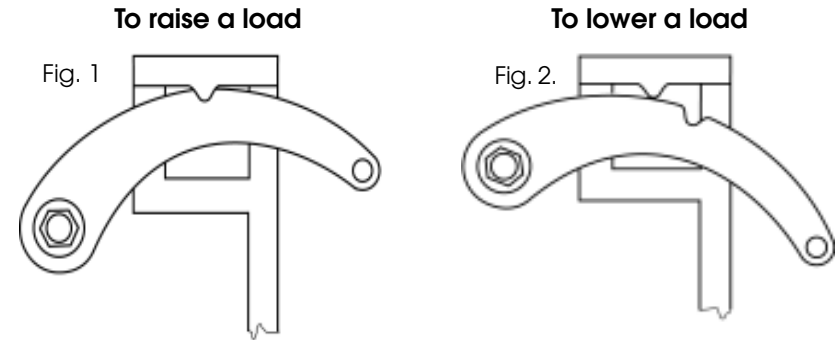
### A. TO RAISE A LOAD.

1. Following all safety precautions, place the foot of the jack beneath the load. Lift the Reversing Latch (10) to its' "UP" position and ensure it is locked in place, with the indentation in the Latch, firmly engaged in the notch on the Reversing Switch (11) - refer to fig. 1. Jack up the nose until it comes into contact with the load at the desired point of lift. Pause at this stage and check to ensure there are no obstacles to a clean lift.

2. Pull down firmly and evenly on the handle and observe the load rising. As the handle is pulled down, you will hear the locking pin (20) click into place as it locates in a hole in the column (2). At this point, relax the handle allowing the pin (20) to take the load. Raise the handle to the top of its stroke to take a fresh purchase, and pump the handle once again.

### IMPORTANT:

1. DO NOT use extensions on the handle.
2. ALWAYS keep a firm hold on the handle.



### B. TO LOWER A LOAD

### IMPORTANT:

The jack must be loaded with a minimum 50kg (110lbs) to lower step by step, otherwise the lifting nose will drop.

Taking all necessary precautions, take the load with the jack, (i.e. jack the load up slightly), and ensuring the handle is in the FULLY UPRIGHT position, trip the Reversing Latch (11), so that it is in the "Down" position, i.e. the indentation on the latch, becomes disengaged from the notch on the reversing switch (see fig. 2). Keeping a firm grip on the handle, pump it as you would for 'raising a load'.

## MAINTENANCE

Inspect for distortion of the column and locking pins, and security of all nuts and bolts. Keep all parts of the jack well lubricated to prevent any possibility of corrosion. Store in a dry place where it cannot be attacked by the elements.

If stored for long periods, inspect at least twice a year; clean, and re-oil