



CLARKE®



RECHARGEABLE SPOTLIGHT

MODEL: RWL10

Part No: 4002822

INSTRUCTION MANUAL

CE

LS0609



INTRODUCTION

Thank you for purchasing this CLARKE product

Before attempting to use the product, it is essential that you read this manual thoroughly and carefully follow all instructions given. In doing so you will ensure the safety of yourself and that of others around you, and you can also look forward to the product giving you long and satisfactory service.

GUARANTEE

This CLARKE product is guaranteed against faulty manufacture for a period of 12 months from the date of purchase. Please keep your receipt as proof of purchase.

This guarantee is invalid if the product is found to have been abused or tampered with in any way, or not used for the purpose for which it was intended.

Faulty goods should be returned to their place of purchase, no product can be returned to us without prior permission.

This guarantee does not effect your statutory rights.

ENVIRONMENTAL PROTECTION



Do not dispose of this product with general household waste. It must be disposed of according to the laws governing Waste Electrical and Electronic equipment, at a recognised disposal facility.



SAFETY INSTRUCTIONS

GENERAL SAFETY

Ensure the spotlight is correctly charged before initial use.

When fully charged and on full beam, the spotlight must not be used for more than 15 minutes of continuous use. To do so may damage the lamp.

DO NOT cover or block the lens during use.

DO NOT turn the spotlight on when it is being re-charged.

DO NOT shine directly into your, other persons or animals eyes.

DO NOT stand the spotlight near any surface or item that may be adversely effected by the heat emitted from the lens.

DO NOT allow children to use the spotlight.

DO NOT handle or move the spotlight whilst it is being charged.

DO NOT use the spotlight if you suspect that the battery or the spotlight casing is damaged.

Inspect the charger plug, cable and connector for wear and damage to ensure items are safe before connecting to the mains power supply. If worn or damaged **DO NOT** use.

Check that the voltage marked on the charger plug is the same as the power supply to be used

BATTERY SAFETY

BE AWARE, LEAD-ACID BATTERIES MAYBE DANGEROUS IF NOT HANDLED WITH CARE AND ACCORDING TO THESE INSTRUCTIONS.

DO NOT disassemble the battery for any reason.

DO NOT smoke or allow a spark or flame in the vicinity of the battery.

WARNING! DO NOT allow metal tools to touch both battery terminals simultaneously. Arcing or short circuit will result.

DO NOT allow battery wires to touch each other or to make contact with any other metallic part.

DO NOT cross-connect wires to the battery as this will damage the unit. Ensure positive (+) (RED) is to positive and negative (-) BLACK is to negative.

DO NOT leave battery in a discharged state, recharge battery immediately.

ELECTRICAL SAFETY

USE ONLY THE SUPPLIED CHARGER PLUG FOR CONNECTING SPOTLIGHT TO THE POWER SUPPLY.

ONLY USE THE SUPPLIED ADAPTER FOR CONNECTING TO A VEHICLE 12V SOCKET.

WARNING! It is the user's responsibility to read, understand and comply with the following electrical instructions:

You must also read and understand the following instructions concerning electrical safety.

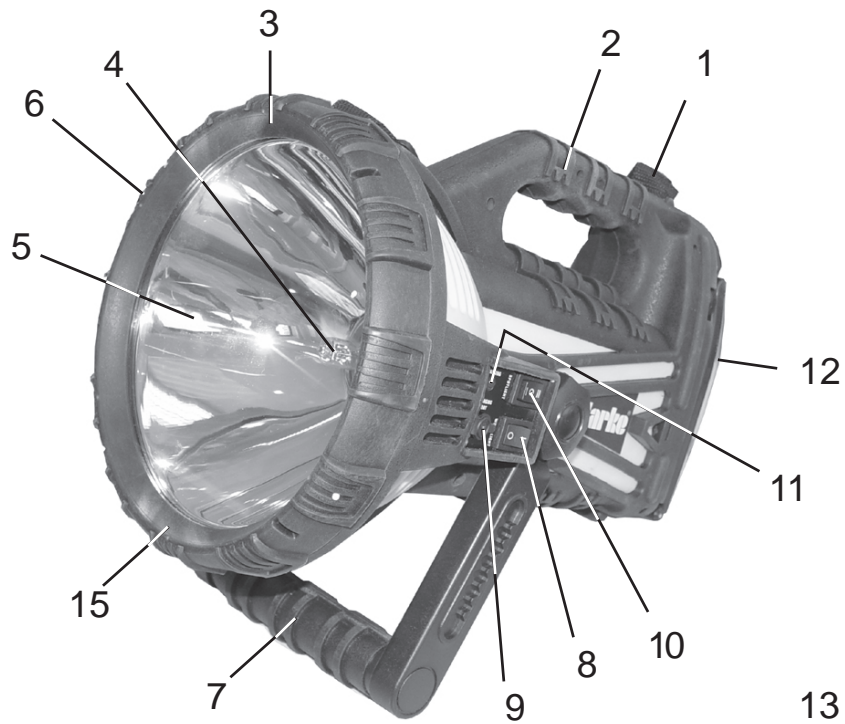
DO NOT pull the charger plug from the mains socket by the lead.

DO NOT use any other type of charger with this product.

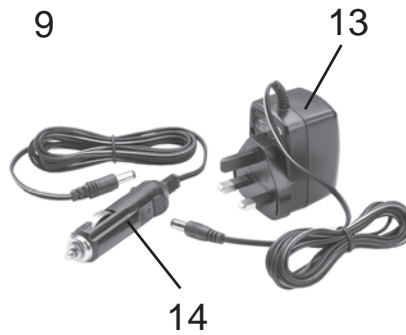
DO NOT get the charger wet, or use in wet, damp conditions (for indoor use only).



CONTROL



1. CARRYING STRAP
2. CARRYING HANDLE
3. BUMPER GUARD RING
4. 12 VOLT H4 100W HALOGEN BULB
5. HIGH POLISHED REFLECTOR
6. 12 VOLT DC OUTLET SOCKET
7. ADJUSTABLE LOCKING/FOLDING STAND
8. WORK LIGHT SWITCH
9. AC & DC CHARGING PORT
10. SPOTLIGHT SWITCH
11. CHARGING INDICATOR LED
12. TWIN-TUBE FLUORESCENT WORK LIGHT
13. AC CHARGER
14. DC CHARGER
- 15 HOOD



Clarke



OPERATION

CHARGING THE BATTERY

1. Make sure the lamp is turn off before charging the battery.
2. Connect either the AC charger or DC charger to the AC & DC charging port and charge for:
 - 4-6 hours using the DC power cord and DC power supply. or
 - 24-26 hours using the AC home charger. The product CANNOT be operated when recharging using the AC home charger.

USING THE SPOTLIGHT

1. For full power light beam: Set the SPOTLIGHT SWITCH to the (I) position.
2. For half power light beam: Set the SPOTLIGHT SWITCH to the (II) position.
3. To turn it off: Set the SPOTLIGHT SWITCH to the (0) position.

USING THE FLUORESCENT WORK LIGHT

1. Set the WORK LIGHT SWITCH to the (I) position.
 - The worklight will come on.
2. Set the WORK LIGHT SWITCH to the (0) position.
 - The worklight will switch off.
3. Lift the bottom part of the work light and rotate to the desired position.



Note: The worklight only rotates 270° do not force it round any futher.

USE THE SPOTLIGHT AS A DC POWER SUPPLY

The DC power outlet has a built-in circuit breaker which is design to activate when the current drawn exceeds 10 amps or the power consumption is above 120W. Do not connect any device that draws more than this, to the DC power outlet.

1. Insert the DC accessory you want to power into the DC power outlet.
2. Turn on the DC accessory and start using the accessory.
 - If the built-in circuit breaker cutout activates, turn off the DC accessory and disconnect it from the spotlight. Wait for about 3-5 minutes before trying to use the DC power outlet again.





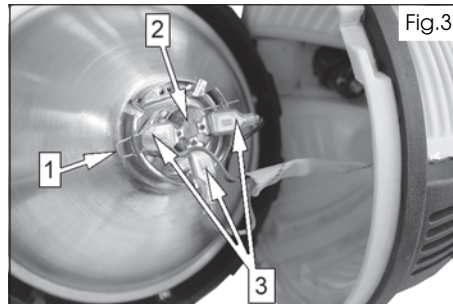
MAINTENANCE

CHANGING THE BULB



WARNING: MAKE SURE THE LAMP IS SWITCHED OFF BEFORE CHANGING THE BULB

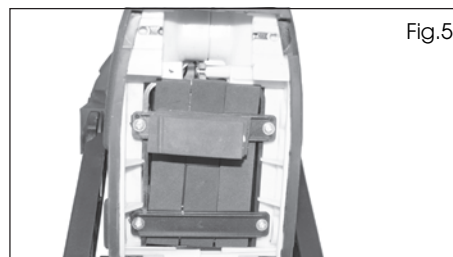
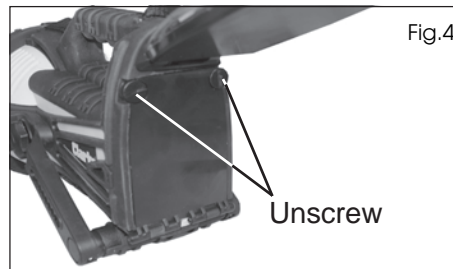
1. Remove the hood from the spotlight by turning it slightly.
2. Carefully lift the hood and reflector away from the torch.
 - You should be able to see a spring clip (1) and 3 wires (3).
3. Remove the 3 wires (3) making a note of which wire connects to which terminal
4. Remove the spring clip (1)
5. Pull the bulb (2) out of the reflector.
6. Hold the new bulb using a lint free cloth and install it by reversing the procedure above.



NOTE: Do not touch the bulb with your hands, The oils on the skin will shorten the life of the bulb.

REPLACING THE BATTERY

1. Lift the work light and unscrew the two screws indicated in the picture (fig. 4), Unscrew them anti-clockwise.
2. Remove battery braces with phillips screwdriver.
3. Securely grip the exposed end of the battery and carefully slide it a few inches out of the housing (fig. 5).
4. Disconnect the battery terminal wires. Remove the black negative wire first.
5. Carefully remove the battery.
6. Replace with a 12V 7AH Sealed Lead Acid Battery available from your Clarke dealer and install by reversing the above procedure.
 - Take care not to pinch or cross-connect any wires.





- When replacing rear rubber seal make sure that both screws are secure.
7. Dispose of old batteries in accordance with local regulations.
 8. Charge the battery fully before use.

SPECIFICATIONS

Built-in battery: 12 volt 7AH sealed lead acid.
 Bulb (Spotlight): H4 12V 100 Watt Halogen Bulb
 Bulb (Fluorescent): 2 x 4 Watt
 Charging time: AC charger 24 - 26 hours
 Charging time: 12V DC charger 4 - 6 hours

OTHER PRODUCTS YOU MAY BE INTERESTED IN



- Includes twin socket adapter to allow 12v products and light to be operated together.
- Ideal for electricians or workmen wanting a bright fluorescent work light.
- Super bright 20w fluorescent lamp.
- Power pack can be used to run 12v appliances.
- Recharge from 230v AC adaptor or DC cigarette lighter plug, both supplied.
- Lamp can be operated from cigarette lighter socket, via cord supplied.

Description	Clarke Rechargeable Work Light
Model Number	RWL12
Part Number	4003005



A SELECTION FROM THE VAST RANGE OF

Clarke®

QUALITY PRODUCTS



AIR COMPRESSORS
From DIY to industrial, Plus air tools, spray guns and accessories.

GENERATORS
Prime duty or emergency standby for business, home and leisure.

POWER WASHERS
Hot and cold, electric and engine driven - we have what you need

WELDERS
Mig, Arc, Tig and Spot. From DIY to auto/industrial.

METALWORKING
Drills, grinders and saws for DIY and professional use.

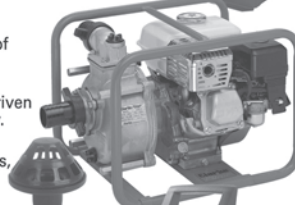
WOODWORKING
Saws, sanders, lathes, mortisers and dust extraction.

HYDRAULICS
Cranes, body repair kits, transmission jacks for all types of workshop use.

WATER PUMPS
Submersible, electric and engine driven for DIY, agriculture and industry.

POWERTOOLS
Angle grinders, cordless drill sets, saws and sanders..

STARTERS/CHARGERS
All sizes for car and commercial use.



PARTS & SERVICE: 0208 988 7400

E-mail: Parts@clarkeinternational.com or Service@clarkeinternational.com

SALES: UK 01992 565333 or Export 00 44 (0)1992 565335

Clarke INTERNATIONAL Hemnall Street, Epping, Essex CM16 4LG
www.clarkeinternational.com

