

# Charmbe®



## LED WORKLIGHT(230V)

MODEL NO: SMD42T

PART NO: 4003625

### ASSEMBLY & USER INSTRUCTIONS



ORIGINAL INSTRUCTIONS

GC1119 ISS 2

---

## INTRODUCTION

---

Thank you for purchasing this CLARKE portable LED worklight which can be used either indoors or outdoors. Before attempting to use this product, please read this manual thoroughly and follow the instructions carefully. In doing so you will ensure the safety of yourself and that of others around you, and you can look forward to your purchase giving you long and satisfactory service.

---

## TECHNICAL INFORMATION

---

<b>Model</b>	<b>SMD42T</b>
Model type	L3305SSJ
Dimensions (L x W x H)	58 x 870 x 1720 mm
Weight	3.5 kg
Tilt adjustment	-90 to +90 degrees
Light Source	SMD LED array
Operating Temperature	-20 to + 50oC
Input power	21 W
Light Output (luminous flux)	1650 @ 1m (lumens)
Fuse Rating	3 A
Power Supply	230V 50 Hz
Insulation Class	II
IP Rating	IP54
Energy Efficiency Class	A+
Efficiency	80 Lm/W
Colour Temperature	6500 K
Weighted Energy Consumption	21 kWh/1000 h
Life expectancy of LED	20,000 hours

---

## **SAFETY PRECAUTIONS**

---

1. This worklight must not be immersed in water.
2. Do not look directly into the lamp when switched on as this can damage the eyes.
3. If used with an extension cable always ensure that the extension cable is fully unwound.
4. Do not use this worklight if it has a broken lens, casing or damaged cable.
5. Always unplug the worklight before moving it or performing maintenance. Do not touch the lamp when your hands are wet.
6. Do not attempt to disassemble or repair the worklight.
7. Do not leave the worklight unattended when switched on. Always unplug the worklight when it is not in use.
8. Never unplug by holding the cable. Unplug by holding the plug.
9. Never use the worklight if the cable or plug are damaged.
10. When assembling the tripod, ensure that the ground is level and firm.
11. Take extra care not to push or knock the tripod over when fully extended.
12. Ensure the lamp is a safe distance from other objects in the working space.

## **GUARANTEE**

This product is guaranteed against faulty manufacture for a period of 12 months from the date of purchase. Please keep your receipt which will be required as proof of purchase.

This guarantee is invalid if the product is found to have been abused or tampered with in any way, or not used for the purpose for which it was intended.

Faulty goods should be returned to their place of purchase, no product can be returned to us without prior permission. This guarantee does not effect your statutory rights.

## **ENVIRONMENTAL RECYCLING POLICY**

Through purchase of this product, the customer is taking on the obligation to deal with WEEE in accordance with the WEEE regulations in relation to the treatment, recycling, recovery & environmentally sound disposal of the WEEE.

This means that this product must not be disposed of with general household waste. It must be disposed of according to the laws governing Waste Electrical and Electronic Equipment (WEEE) at a recognised disposal facility

## ELECTRICAL CONNECTIONS



**WARNING! READ THESE ELECTRICAL SAFETY INSTRUCTIONS THOROUGHLY BEFORE CONNECTING THE PRODUCT TO THE MAINS POWER SUPPLY.**

Before switching the product on, make sure that the voltage of your electricity supply is the same as that indicated on the rating plate. This product is designed to operate on 230VAC 50Hz. Connecting it to any other power source may cause damage.

This product may be fitted with a non-rewireable plug. If it is necessary to change the fuse in the plug, the fuse cover must be refitted. If the fuse cover becomes lost or damaged, the plug must not be used until a suitable replacement is obtained.

If the plug has to be changed because it is not suitable for your socket, or due to damage, it should be cut off and a replacement fitted, following the wiring instructions shown below. The old plug must be disposed of safely, as insertion into a mains socket could cause an electrical hazard.

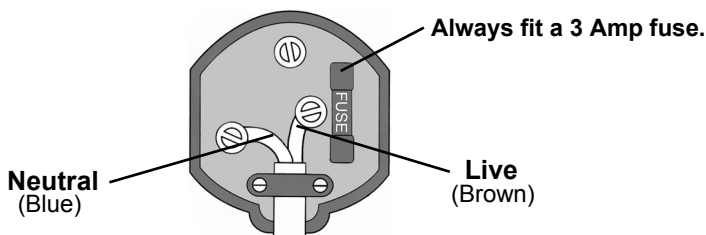


**WARNING! THE WIRES IN THE POWER CABLE OF THIS PRODUCT ARE COLOURED IN ACCORDANCE WITH THE FOLLOWING CODE: BLUE = NEUTRAL / BROWN = LIVE**

If the colours of the wires in the power cable of this product do not correspond with the markings on the terminals of your plug, proceed as follows.

- The wire which is coloured **Blue** must be connected to the terminal which is marked **N** or coloured **Black**.
- The wire which is coloured **Brown** must be connected to the terminal which is marked **L** or coloured **Red**.

**Plug must be BS1363/A approved.**



**Ensure that the outer sheath of the cable is firmly held by the clamp**

We strongly recommend that this machine is connected to the mains supply via a Residual Current Device (RCD).

If in any doubt, consult a qualified electrician. DO NOT attempt any repairs yourself.



**This symbol indicates that this is a Class II product, and does not require an earth connection.**

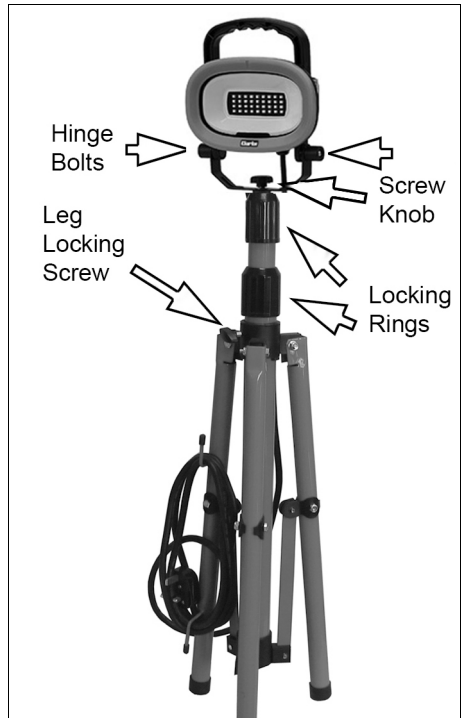
---

## ASSEMBLY & MOUNTING

---

The tripod stand is supplied fully assembled.

1. Pull the legs apart to erect the tripod and set in position with the leg locking screw.
2. Adjust the height of the tripod column by twisting the locking rings anti-clockwise to release, and sliding the tubes to the required height before twisting clockwise to lock.
3. Attach the worklamp to the column by securing with the screw knob.
  - The worklamp can be swivelled if required by loosening the knob.
4. Tighten the hinge bolts on either side of the lamp to set the angle of elevation as required.



---

## CARE & STORAGE

---

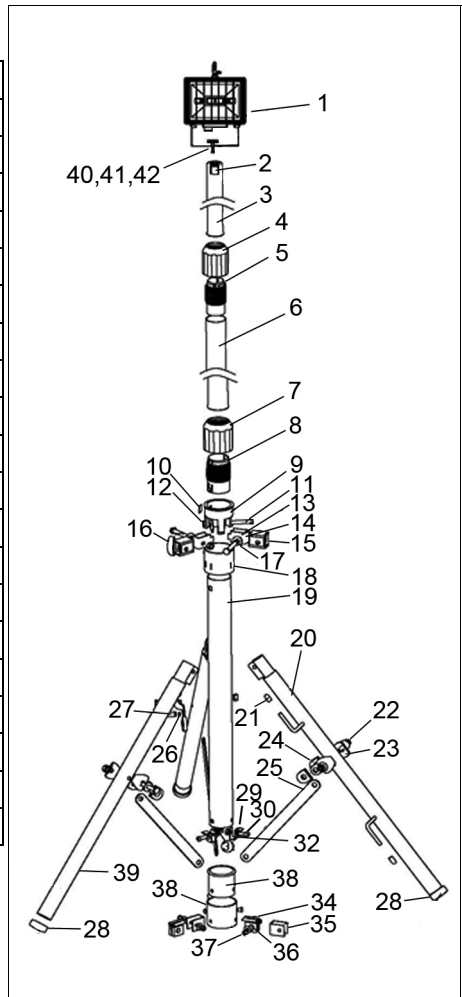
1. When not in use, switch off & unplug from the power supply. Coil the cable around the storage hooks provided on the tripod for tidy storage.
2. Store this product in a secure, dry place, out of the reach of children. DO NOT leave it exposed to the elements and avoid direct sunlight, direct heat, rain/moisture etc.
3. Keep the external surfaces clean. Avoid impact damage & do not allow this product to come into contact with abrasive or corrosive materials.
4. Do not use solvents, thinners or alcohol for cleaning, as these chemicals will damage the finish. With the lamp unplugged from the power supply, use a dry cloth to wipe over the lamp components.

5. Only use extension leads that are of an appropriate power rating and suitable for the work environment. Inspect the extension lead regularly and replace if damaged.
6. The LED light source (Epistar LED chip) cannot be replaced but has a life expectancy of approximately 20000 hours.
7. Never use unauthorised accessories or attachments which can cause personal injury or damage to the product.
8. Do not attempt to repair or modify this product or attempt any electrical repair yourself. Consult the Clarke Service Department on 020 8988 7400.

## REPLACEMENT TRIPOD PARTS

1	Lamp Head
2	Top End
3	Upper Tube
4	Locking Ring
5	Screwed Tube
6	Middle Tube
7	Locking Ring
8	Screwed Tube
9	Washer
10	Washer
11	Outer Hex Bolt
12	Locknut
13	Fixing Bracket
14	Flat Washer
15	Plastic Cover
16	Oval Screw
17	Spring Washer
18	Connector
19	Stand Tube
20	Leg with Hook
21	Hook End Cap

22	Bolt
23	Bracket
24	Packer
25	Connecting Arm
26	Open Washer
27	Bolt
28	End cap
29	Connection
30	Pan Head Screw
31	Nut
32	Flat Washer
33	Washer
34	Plastic Cover
35	Adapting Piece
36	Inner Bolt
37	Cross Screws
38	End Connection
39	Leg
40	Screw Knob
41	Spring Washer
42	Flat Washer



# DECLARATION OF CONFORMITY



**Clarke**<sup>®</sup>  
**INTERNATIONAL**

Hemnall Street, Epping, Essex CM16 4LG

## DECLARATION OF CONFORMITY

This is an important document and should be retained.

We hereby declare that this product(s) complies with the following directive(s):

2014/30/EU *Electromagnetic Compatibility Directive.*

2014/35/EU *Low Voltage Equipment Directive.*

2011/65/EU *Restriction of Hazardous substances.*

The following standards have been applied to the product(s):

*EN 60598-1:2015, EN 60598-2-4:1997, EN 60598-2-5:1998, EN 62493:2015, IEC 62778:2014,*

*EN 55015:2013, EN 61547:2009, EN61000-3-2:2014, EN 61000-3-3:2013.*

The technical documentation required to demonstrate that the product(s) meet(s) the requirement(s) of the aforementioned directive(s) has been compiled and is available for inspection by the relevant enforcement authorities.

The CE mark was first applied in: 2017

**Product Description:** 10W COB LED Light Tripod (230V), 42SMD LED Light 2W Tripod (230V), 42SMD LED Light 21W Tripod (110V), 84SMD LED Twin Light 42W Tripod (230V), 84SMD LED Twin Light 42W Tripod (110V).

**Model number(s):** COB10T, SMD42T, SMD42T/110, SMD84T, SMD84T/110.

**Serial / batch Number:** 4003620, 4003625, 4003630, 4003635, 4003640.

**Date of Issue:** 25/05/2017.

Signed:

**J.A. Clarke**  
Director

# A SELECTION FROM THE VAST RANGE OF

# Clarke®

## QUALITY PRODUCTS

### AIR COMPRESSORS

From DIY to industrial, Plus air tools, spray guns and accessories.

### GENERATORS

Prime duty or emergency standby for business, home and leisure.

### POWER WASHERS

Hot and cold, electric and engine driven - we have what you need

### WELDERS

Mig, Arc, Tig and Spot. From DIY to auto/industrial.

### METALWORKING

Drills, grinders and saws for DIY and professional use.

### WOODWORKING

Saws, sanders, lathes, mortisers and dust extraction.

### HYDRAULICS

Cranes, body repair kits, transmission jacks for all types of workshop use.

### WATER PUMPS

Submersible, electric and engine driven for DIY, agriculture and industry.

### POWERTOOLS

Angle grinders, cordless drill sets, saws and sanders.

### STARTERS/CHARGERS

All sizes for car and commercial use.



**PARTS & SERVICE: 0208 988 7400**

**E-mail: [Parts@clarkeinternational.com](mailto:Parts@clarkeinternational.com) or [Service@clarkeinternational.com](mailto:Service@clarkeinternational.com)**

**SALES: UK 01992 565333 or Export 00 44 (0)1992 565335**

**Clarke® INTERNATIONAL** Hemnall Street, Epping, Essex CM16 4LG  
[www.clarkeinternational.com](http://www.clarkeinternational.com)