

Charmbe®



110V LED WORKLIGHT

MODEL NO: SMD42T/110

PART NO: 4003630

ASSEMBLY & USER INSTRUCTIONS



ORIGINAL INSTRUCTIONS

GC1119 ISS 2

INTRODUCTION

Thank you for purchasing this CLARKE portable LED floodlight, suitable for both indoor and outdoor use.

Before attempting to use this product, please read this manual thoroughly and follow the instructions carefully. In doing so you will ensure the safety of yourself and that of others around you, and you can look forward to your purchase giving you long and satisfactory service.

SPECIFICATIONS

Model	SMD42T/110
Model type	L3305SJ
Dimensions (L x W x H)	58 x 870 x 1720 mm
Weight	3.5 kg
Light Source	SMD LED array
Operating Temperature	-20 to +50oC
Input power	21 W
Light Output (luminous flux)	1650 @ 1m (lumen)
Power Supply	110V/ 50 HZ
Insulation Class	II
Ingress Protection Rating	IP54
Energy Efficiency Class	A+
Colour Temperature	6500 K
Weighted Energy Consumption	21 kWh/1000h
Efficiency	80 Lm/W
Life Expectancy of LEDs	20,000 hours

SAFETY PRECAUTIONS

1. This worklight must not be immersed in water.
2. Do not look directly into the lamp when switched on as this can damage the eyes.
3. If used with an extension cable always ensure that the extension cable is fully unwound.
4. Do not use this worklight if it has a broken lens, casing or damaged cable.
5. Always unplug the worklight before moving it or performing maintenance. Do not touch the lamp when your hands are wet.
6. Do not attempt to disassemble or repair the worklight.
7. Do not leave the worklight unattended when switched on. Always unplug the worklight when it is not in use.
8. Always unplug the worklight by holding the plug, never only the cable.
9. Never use the worklight if the cable or plug are damaged.
10. When assembling the tripod, ensure that the ground is level and firm.
11. Take extra care not to push or knock the tripod over when fully extended.
12. Ensure the lamp is a safe distance from other objects in the workplace.

GUARANTEE

This product is guaranteed against faulty manufacture for a period of 12 months from the date of purchase. Please keep your receipt which will be required as proof of purchase.

This guarantee is invalid if the product is found to have been abused or tampered with in any way, or not used for the purpose for which it was intended.

Faulty goods should be returned to their place of purchase, no product can be returned to us without prior permission. This guarantee does not effect your statutory rights.

ENVIRONMENTAL RECYCLING POLICY

Through purchase of this product, the customer is taking on the obligation to deal with WEEE in accordance with the WEEE regulations in relation to the treatment, recycling, recovery & environmentally sound disposal of the WEEE.

This means that this product must not be disposed of with general household waste. It must be disposed of according to the laws governing Waste Electrical and Electronic Equipment (WEEE) at a recognised disposal facility.

ELECTRICAL CONNECTIONS



WARNING! READ THESE ELECTRICAL SAFETY INSTRUCTIONS THOROUGHLY BEFORE CONNECTING THE PRODUCT TO A POWER SUPPLY.

This product can be connected to one of the following power supplies:

- 110V generator
- 110V isolating transformer
- 110V site supply
- 230V generator via a 110V transformer.

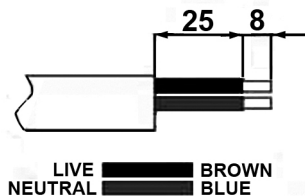
Connecting it to any other power source may cause damage.

This product includes a fitted industrial plug to BS-EN 60309 and cable for use with a 110 volt supply. On no account may a 230V/13amp (BS1363) plug be used.

If using a portable 110V transformer make sure it has a rated capacity sufficient to take the load of the worklight.

Should the plug need changing at any time, ensure that a plug of identical specification is used and proceed as follows:

1. Undo the socket screws & remove the rear section.
2. Rotate the cable clamp clear of the terminals.
3. Feed the cable through the rear gland in the plug.
4. Remove the cable sheath to the required lengths as shown in the diagram.
5. Terminate the correct wires in the correct terminal blocks as shown.
6. Remove the cable clamp screws. Clip the cable clamp back into position and place the clamp around the outer sheath of the cable. Replace the screws and tighten until the cable is securely held.
7. Replace the rear cover and tighten the cover screws.



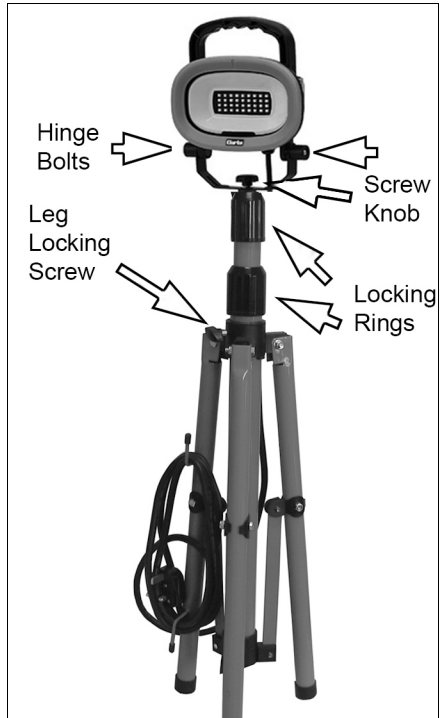
If in any doubt, consult a qualified electrician. DO NOT attempt any repairs yourself.

The user should purchase a suitable connecting lead which is compatible with the appliance socket. The length should give mobility to the worklight but without becoming a trip hazard.

ASSEMBLY & MOUNTING

The tripod stand is supplied fully assembled. If the end/upper tripod extension is not visible, turn the locking ring and tilt the tripod to slide the extension to greater height.

1. Pull the legs apart to erect the tripod and set in position with the leg locking screw.
2. Adjust the height of the tripod column by twisting the locking rings anti-clockwise to release, & sliding the tubes to the required height before twisting clockwise to lock.
3. Attach the worklamp to the column by securing with the screw knob.
 - The worklamp can be swivelled if required by loosening the screw knob.
4. Tighten the hinge bolts on either side of the lamp to set the angle of elevation as required.
5. The on/off switch is located on the back of the lamp unit.



CARE & STORAGE

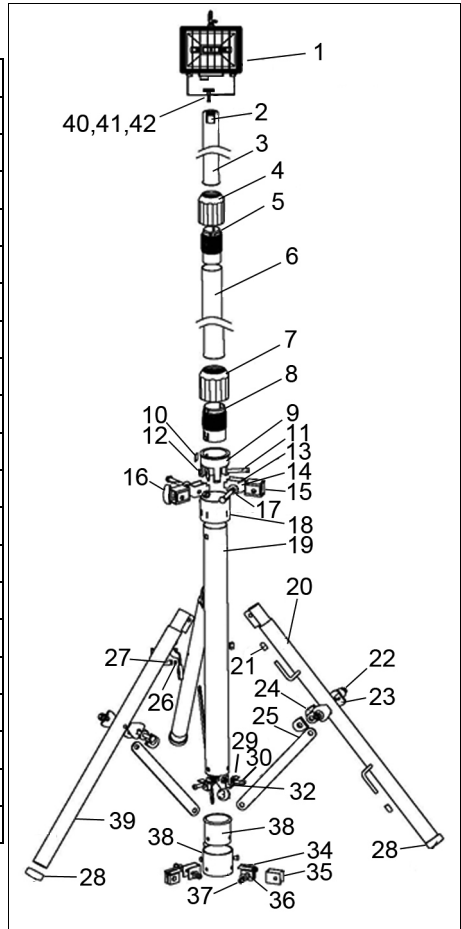
1. When not in use, switch off & unplug from the power supply. Coil the cable around the storage hooks provided on the tripod for tidy storage.
2. Store in a secure, dry place, out of the reach of children. DO NOT leave it exposed to the elements and avoid direct sunlight, direct heat, rain/moisture etc.
3. Keep the external surfaces clean. Avoid impact damage & do not allow this product to come into contact with abrasive or corrosive materials.

4. Do not use solvents, thinners or alcohol for cleaning, as these chemicals will damage the finish. With the lamp unplugged from the power supply, use a dry cloth to wipe over the lamp components.
5. The LED light source cannot be replaced but has a life expectancy of approximately 20000 hours.
6. Never use unauthorized accessories or attachments which can cause personal injury or damage to the product.
7. Do not attempt to repair or modify this product or attempt any electrical repair yourself. Consult the Clarke Service Department on 020 8988 7400..

REPLACEMENT TRIPOD PARTS

1	Lamp Head
2	Top End
3	Upper Tube
4	Locking Ring
5	Screwed Tube
6	Middle Tube
7	Locking Ring
8	Screwed Tube
9	Washer
10	Washer
11	Outer Hex Bolt
12	Locknut
13	Fixing Bracket
14	Flat Washer
15	Plastic Cover
16	Oval Screw
17	Spring Washer
18	Connector
19	Stand Tube
20	Leg with Hook
21	Hook End Cap

22	Bolt
23	Bracket
24	Packer
25	Connecting Arm
26	Open Washer
27	Bolt
28	End cap
29	Connection
30	Pan Head Screw
31	Nut
32	Flat Washer
33	Washer
34	Plastic Cover
35	Adapting Piece
36	Inner Bolt
37	Cross Screws
38	End Connection
39	Leg
40	Screw Knob
41	Spring Washer
42	Flat Washer



DECLARATION OF CONFORMITY



Clarke[®]
INTERNATIONAL

Hemnall Street, Epping, Essex CM16 4LG

DECLARATION OF CONFORMITY

This is an important document and should be retained.

We hereby declare that this product(s) complies with the following directive(s):

2014/30/EU *Electromagnetic Compatibility Directive.*

2014/35/EU *Low Voltage Equipment Directive.*

2011/65/EU *Restriction of Hazardous substances.*

The following standards have been applied to the product(s):

EN 60598-1:2015, EN 60598-2-4:1997, EN 60598-2-5:1998, EN 62493:2015, IEC 62778:2014,

EN 55015:2013, EN 61547:2009, EN61000-3-2:2014, EN 61000-3-3:2013.

The technical documentation required to demonstrate that the product(s) meet(s) the requirement(s) of the aforementioned directive(s) has been compiled and is available for inspection by the relevant enforcement authorities.

The CE mark was first applied in: 2017

Product Description: 10W COB LED Light Tripod (230V), 42SMD LED Light 2W Tripod (230V), 42SMD LED Light 21W Tripod (110V), 84SMD LED Twin Light 42W Tripod (230V), 84SMD LED Twin Light 42W Tripod (110V).

Model number(s): COB10T, SMD42T, SMD42T/110, SMD84T, SMD84T/110.

Serial / batch Number: 4003620, 4003625, 4003630, 4003635, 4003640.

Date of Issue: 25/05/2017.

Signed:

J.A. Clarke
Director

A SELECTION FROM THE VAST RANGE OF

Clarke®

QUALITY PRODUCTS

AIR COMPRESSORS

From DIY to industrial, Plus air tools, spray guns and accessories.

GENERATORS

Prime duty or emergency standby for business, home and leisure.

POWER WASHERS

Hot and cold, electric and engine driven - we have what you need

WELDERS

Mig, Arc, Tig and Spot. From DIY to auto/industrial.

METALWORKING

Drills, grinders and saws for DIY and professional use.

WOODWORKING

Saws, sanders, lathes, mortisers and dust extraction.

HYDRAULICS

Cranes, body repair kits, transmission jacks for all types of workshop use.

WATER PUMPS

Submersible, electric and engine driven for DIY, agriculture and industry.

POWERTOOLS

Angle grinders, cordless drill sets, saws and sanders.

STARTERS/CHARGERS

All sizes for car and commercial use.



PARTS & SERVICE: 0208 988 7400

E-mail: Parts@clarkeinternational.com or Service@clarkeinternational.com

SALES: UK 01992 565333 or Export 00 44 (0)1992 565335

Clarke® INTERNATIONAL Hemnall Street, Epping, Essex CM16 4LG
www.clarkeinternational.com