

Clarke®



SWING ARM MAGNIFYING LAMP

MODEL No: SAM 75

Part No: 5460520

OPERATING & MAINTENANCE
INSTRUCTIONS

LS1113

Thank you for purchasing your new CLARKE swing arm magnifying lamp, which is ideal for, fine detail assembly and repair work, stamp collectors, model makers, jewellers, etc.

Before using this product, read this leaflet thoroughly, and follow the instructions carefully. Although the product is of rugged construction, it should nevertheless be used with care and consideration, you can then look forward to it giving long and reliable service.

GUARANTEE

This CLARKE product is guaranteed against faulty manufacture for a period of 12 months from the date of purchase. Your receipt is required as proof of purchase. This guarantee is invalid if the product is found to have been abused, or tampered with in any way, or not used for the purpose for which it was intended.

Faulty goods should be returned to their place of purchase, no product can be returned to us without prior permission. This guarantee in no way effects your statutory rights under common law.

ELECTRICAL CONNECTIONS

This product is supplied with a 13 amp, BS 1363 plug, for connection to a domestic 240 Volt (50Hz) electrical supply. Should it be necessary to renew the plug at any time, ensure the replacement is of identical specification.

IMPORTANT: The wires in the mains lead are coloured in accordance with the following code:

Green & Yellow -Earth

Blue - Neutral

Brown - Live

As the colours of the flexible cord of this appliance may not correspond with the coloured markings identifying terminals in your plug proceed as follows:

- Connect GREEN & YELLOW cable to terminal marked with a letter "E" or Earth symbol "⏏" or coloured GREEN or GREEN & YELLOW.
- Connect BROWN cable to terminal marked with a letter "L" or coloured RED.
- Connect BLUE cable to terminal marked with a letter "N" or coloured BLACK.

In the event that this product is fitted with a plug which is moulded onto the electric cable (i.e. non-rewirable) please note:

1. The plug must be thrown away if it is cut from the electric cable. There is a danger of electric shock if it is subsequently inserted into a socket outlet.
2. Never use the plug without the fuse cover fitted.
3. Should you wish to replace a detachable fuse carrier, ensure that the correct replacement is used (as indicated by marking or colour code).
4. Replacement fuse covers can be obtained from your local dealer or most electrical stockists.
5. If the mains cable becomes frayed or damaged in any way, do not use the lamp until it has been replaced. Contact your local dealer for a replacement part.

Fuse Rating. The fuse in the plug is 3 amps, and must be replaced with one of the same rating and ASTA approved to BS 1362.

ASSEMBLY AND OPERATION

Your magnifying lamp is in two parts, the lamp and Adjustable arms, (carrying the power lead), and the Mounting Clamp assembly. This comprises a pair of clamps, the larger one of which (A), mounts on top of a work surface, and supports the swinging arm and lamp. The steel adjuster bracket (C), also locates into the side of the upper clamp, and on to which is located the lower clamp (B). This holds the complete assembly firm by gripping the underside of the work surface when the adjuster screw (D) is tightened.

The clamp assembly may also be mounted on a vertical surface, and a second mounting hole in the upper lamp (A), at right angles to the main mounting hole, allows the swinging arm to be mounted vertically, and operate in the normal way.

Always switch OFF using the switch on the mains cable.

SETTING UP

It is possible to move the lamp to any required position, by first slackening off the pivot pinch bolts to allow the arms to move freely. Tighten the pinch bolts using the large Adjuster Knobs provided (item 4), so that they are firm, but DO NOT OVER TIGHTEN. When the pivots are correctly tightened, the lamp should be capable of maintaining stability in any position, without the need to keep readjusting.

MAINTENANCE

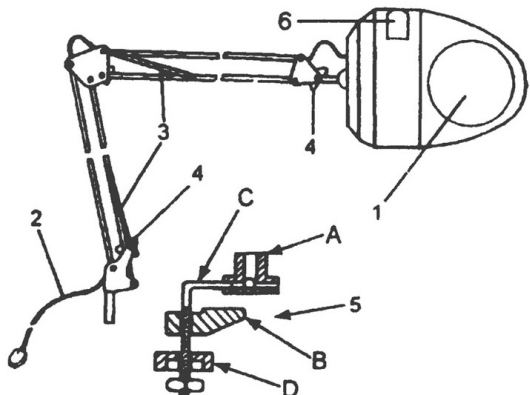
The unit requires minimum maintenance, and is limited to a bulb change when necessary, and cleaning the lens.

IMPORTANT: Always switch the lamp OFF, and unplug from the mains before changing the bulb. A 60 watt candle bulb, with a Small Edison Screw type bulb (E 14), should be used.

When cleaning the lens, always switch off the lamp and allow the bulb to cool beforehand, Use a clean soft cloth. It is permissible to use a liquid glass cleaner, but use sparingly, and do not wet the bulb or electrical components.

PARTS LIST & DIAGRAM

Item	Description	Part No.
1	Lens	vs 7501
2	Cable Assy	vs 7502
3	Spring	vs 7503
4	Adjuster Knob	vs 7504
5	Clamp Assembly	vs 7505
6	Bulb Holder	vs 7506



A SELECTION FROM THE VAST RANGE OF

Clarke®

QUALITY PRODUCTS

AIR COMPRESSORS

From DIY to industrial, Plus air tools, spray guns and accessories.

GENERATORS

Prime duty or emergency standby for business, home and leisure.

POWER WASHERS

Hot and cold, electric and engine driven - we have what you need

WELDERS

Mig, Arc, Tig and Spot. From DIY to auto/industrial.

METALWORKING

Drills, grinders and saws for DIY and professional use.

WOODWORKING

Saws, sanders, lathes, mortisers and dust extraction.

HYDRAULICS

Cranes, body repair kits, transmission jacks for all types of workshop use.

WATER PUMPS

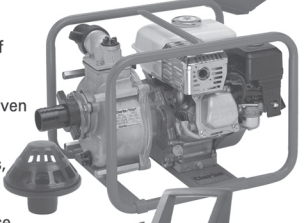
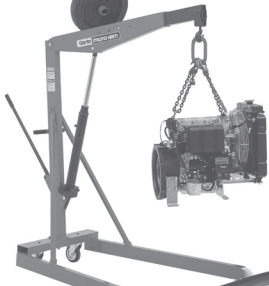
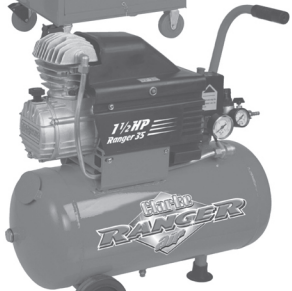
Submersible, electric and engine driven for DIY, agriculture and industry.

POWERTOOLS

Angle grinders, cordless drill sets, saws and sanders..

STARTERS/CHARGERS

All sizes for car and commercial use.



PARTS & SERVICE: 0208 988 7400

E-mail: Parts@clarkeinternational.com or Service@clarkeinternational.com

SALES: UK 01992 565333 or Export 00 44 (0)1992 565335

Clarke® INTERNATIONAL Hemnall Street, Epping, Essex CM16 4LG
www.clarkeinternational.com