

CLARKE®



RECHARGEABLE SPOTLIGHT

MODEL: RSL3

Part No: 5460480

INSTRUCTION MANUAL



INTRODUCTION

Thank you for purchasing this CLARKE product.

Before attempting to use the product, it is essential that you read this manual thoroughly and carefully follow all instructions given. In doing so you will ensure the safety of yourself and that of others around you, and you can also look forward to the product giving you long and satisfactory service.

GUARANTEE

This CLARKE product is guaranteed against faulty manufacture for a period of 12 months from the date of purchase. Please keep your receipt as proof of purchase.

This guarantee is invalid if the product is found to have been abused or tampered with in any way, or not used for the purpose for which it was intended.

Faulty goods should be returned to their place of purchase, no product can be returned to us without prior permission.

This guarantee does not effect your statutory rights.

ENVIRONMENTAL PROTECTION



Do not dispose of this product with general household waste. It must be disposed of according to the laws governing Waste Electrical and Electronic equipment, at a recognised disposal facility.

SPECIFICATIONS

Built-in battery: 6 volt 4AH sealed lead acid.

Bulb (Spotlight): 25W

Bulb (Fluorescent): 7W

Charging time: AC charger 15 hours

Charging time: 12V DC charger 12 hours

SAFETY INSTRUCTIONS

GENERAL SAFETY

Ensure the spotlight is correctly charged before initial use.

When fully charged the spotlight must not be used for more than 20 minutes of continuous use. To do so may damage the lamp.

DO NOT cover or block the lens during use.

DO NOT turn the spotlight on when it is being re-charged.

DO NOT shine directly into any person or animals eyes.

DO NOT stand the spotlight near any surface or item that may be adversely effected by the heat emitted from the lens.

DO NOT allow children to use the spotlight.

DO NOT handle or move the spotlight whilst it is being charged.

DO NOT use the spotlight if you suspect that the battery or the spotlight casing is damaged.

Inspect the charger plug, cable and connector for damage to ensure items are safe before connecting to the mains power supply. If worn or damaged **DO NOT** use.

Check that the voltage marked on the charger plug is the same as the power supply to be used.

BATTERY SAFETY

BEWARE, LEAD-ACID BATTERIES MAY BE DANGEROUS IF NOT HANDLED CAREFULLY AND ACCORDING TO THESE INSTRUCTIONS.

DO NOT disassemble the battery for any reason.

DO NOT smoke or allow a spark or flame in the vicinity of the battery.

WARNING! DO NOT allow metal tools to touch both battery terminals simultaneously. Arcing or short circuit will result.

DO NOT allow battery wires to touch each other or to make contact with any other metal parts.

DO NOT cross-connect wires to the battery as this will damage the unit. Ensure positive (+) (RED) is to positive and negative (-) BLACK is to negative.

DO NOT leave battery in a discharged state, recharge battery immediately.

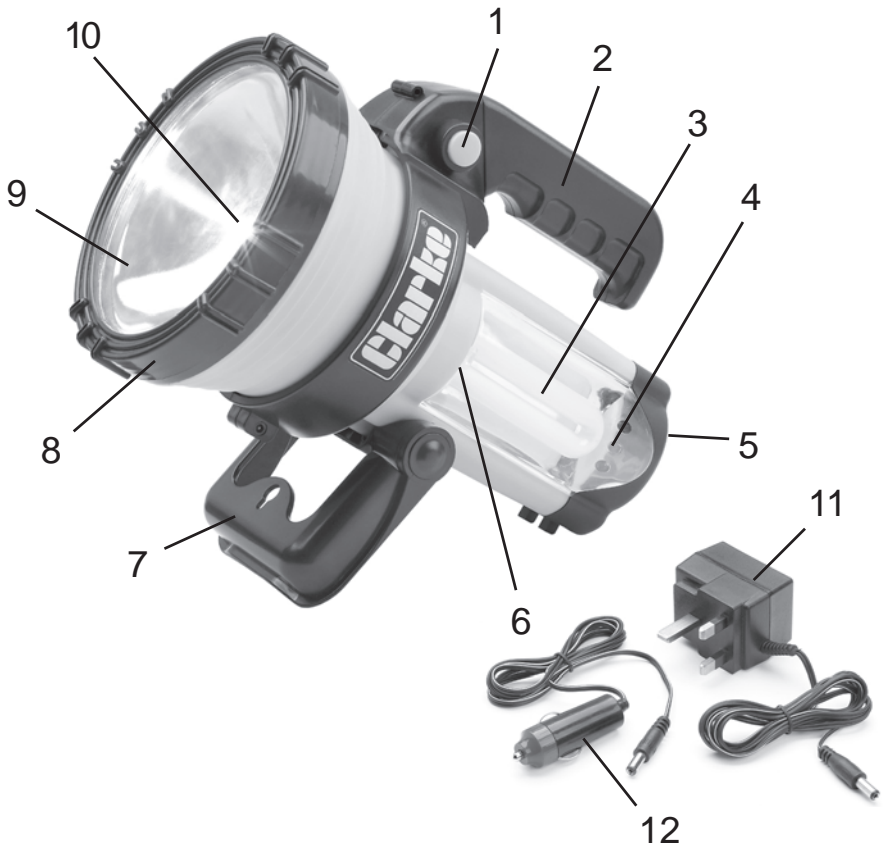
ELECTRICAL SAFETY

USE ONLY THE CHARGERS SUPPLIED TO CHARGE THE SPOTLIGHT.

WARNING! It is the user's responsibility to read, understand and comply with the following electrical instructions

- **DO NOT** pull the charger plug from the mains socket by the lead.
- **DO NOT** use any other type of charger with this product.
- **DO NOT** get the charger wet, or use in wet, damp conditions (for indoor use only).

PARTS IDENTIFICATION



NO	DESCRIPTION	PART NUMBER (IF AVAILABLE)
1	Handle locking button	N/A
2	Handle	N/A
3	Fluorescent Light	AURSL303
4	Night Light	N/A
5	Operating Buttons	AURSL305
6	Charging Jack	AURSL306
7	Folding Stand	N/A
8	Hood	N/A
9	Lens	AURSL309
10	Spotlight Bulb	AURSL310
11	AC Charger	AURSL311
12	DC Charger	AURSL312
13	Battery	AURSL313

OPERATION

CHARGING THE BATTERY

AC CHARGING

1. Plug the charging adaptor into the charging jack on the spotlight.
 2. Connect the other end of the charger to the mains supply and charge for 15 hours.
- The spotlight must NOT be operated when using the AC charger.

DC CHARGING

1. Plug the charging adaptor into the charging jack on the spotlight.
 2. Connect the other end of the charger to the vehicle cigarette lighter socket and charge for 12 hours.
- Since using the DC charger will cause a drain on the vehicle battery, the vehicle engine should be run periodically during the charging process.

ROTATING THE HANDLE

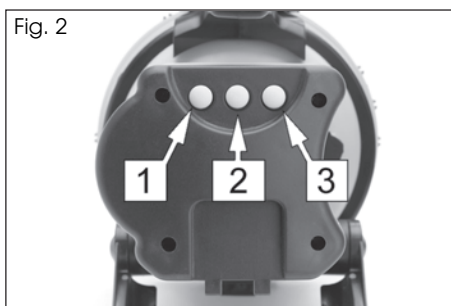
1. Press and hold the handle locking button.
2. Rotate the handle into the pistol configuration as shown.
3. Release the locking button.



USING THE TORCH

Press the corresponding button on the rear of the torch to select which light you want to come on.

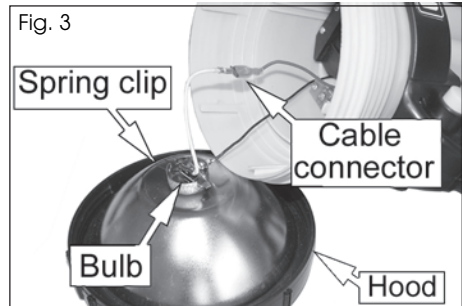
1. Spot light
2. Night light
3. Fluorescent light



MAINTENANCE

CHANGING THE BULB

1. Remove the hood from the spotlight by turning it anticlockwise.
2. Carefully lift the hood and reflector away from the torch.
 - Note the position of the spring clip and cable connector.
3. Disconnect the cable.
4. Squeeze the two ends of the spring clip together and remove the spring clip.
5. Pull the bulb out of the reflector.
6. Hold the new bulb (Part number AURSL310) using a lint free cloth to avoid skin contact and install it by reversing the procedure above.



CHANGING THE FLUORESCENT BULB

1. Using a small flat screwdriver, pry up the plastic cover taking care that you don't scratch the cover.
2. Lift out the fluorescent bulb and replace with a new one. (Part number AURSL303)
3. Replace the plastic cover.

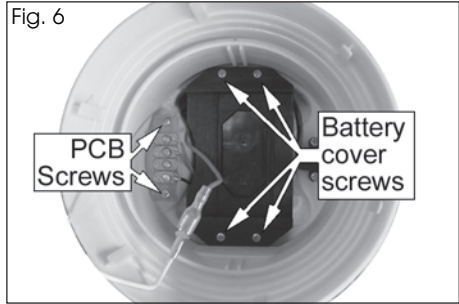


REPLACING THE BATTERY

Before exposing the battery for replacement, remove personal metallic items such as rings, bracelets, necklaces and watches.

1. Remove the hood from the spotlight by turning it anticlockwise.
2. Carefully lift the hood and reflector away from the torch.
3. Remove the screws holding the printed circuit board (PCB)
4. Disconnect the battery terminal wires. Remove the black negative wire first.
5. Remove battery cover screws.
6. Carefully remove the battery.
7. Replace with a 6V 4AH Sealed Lead Acid Battery available from your Clarke dealer (Part number AURSL313) and install by reversing the above procedure.
 - Take care not to pinch or cross-connect any wires.
8. Dispose of old batteries in accordance with local regulations.
9. Charge the battery fully before use.

Fig. 6



OTHER PRODUCTS YOU MAY BE INTERESTED IN



- Includes twin socket adapter to allow 12v products and light to be operated together.
- Ideal for electricians or workmen wanting a bright fluorescent work light.
- Super bright 20w fluorescent lamp.
- Power pack can be used to run 12v appliances.
- Recharge from 230v AC adaptor or DC cigarette lighter plug, both supplied.
- Lamp can be operated from cigarette lighter socket, via cord supplied.

Description

Clarke Rechargeable Work Light

Model Number

RWL12

Part Number

4003005

A SELECTION FROM THE VAST RANGE OF

Clarke®

QUALITY PRODUCTS

AIR COMPRESSORS

From DIY to industrial, Plus air tools, spray guns and accessories.

GENERATORS

Prime duty or emergency standby for business, home and leisure.

POWER WASHERS

Hot and cold, electric and engine driven - we have what you need

WELDERS

Mig, Arc, Tig and Spot. From DIY to auto/industrial.

METALWORKING

Drills, grinders and saws for DIY and professional use.

WOODWORKING

Saws, sanders, lathes, mortisers and dust extraction.

HYDRAULICS

Cranes, body repair kits, transmission jacks for all types of workshop use.

WATER PUMPS

Submersible, electric and engine driven for DIY, agriculture and industry.

POWERTOOLS

Angle grinders, cordless drill sets, saws and sanders..

STARTERS/CHARGERS

All sizes for car and commercial use.



PARTS & SERVICE: 0208 988 7400

E-mail: Parts@clarkeinternational.com or Service@clarkeinternational.com

SALES: UK 01992 565333 or Export 00 44 (0)1992 565335

Clarke INTERNATIONAL Hemnall Street, Epping, Essex CM16 4LG
www.clarkeinternational.com