

Clariflo®

POWER WASHER



COLD WATER WASHER

Model Nos. ELS145, 145R & ELS160R

Part Nos. 7320612, 7320617 & 7320622

0108

OPERATING & MAINTENANCE



INSTRUCTIONS

SPECIFICATIONS

	ELS145 & 145R	ELS160R
Motor	230V 50Hz	230V 50hz
Power Rating	2500W	2700W
Fuse Rating	13Amps	13Amps
Noise Level - Guaranteed	91dBL _{WA}	94dBL _{WA}
Max. Pump Pressure	140bar	150bar
Water Flow Rate	8 L/min	8.7L/min
Detergent tank Capacity	3litres	3litres
Dimensions	465x515x930mm	465x515x930mm
Weight	25kg/26kg	29kg

Please note that the details and specifications contained herein are correct at the time of going to print. However CLARKE International reserve the right to change specifications at any time without prior notice. Always consult the machines data plate

PARTS & SERVICE CONTACTS

For Spare Parts and Service, please contact your nearest dealer, or CLARKE International, on one of the following numbers.

PARTS & SERVICE TEL: 020 8988 7400

PARTS & SERVICE FAX: 020 8558 3622

or e-mail as follows:

PARTS: Parts@clarkeinternational.com

SERVICE: Service@clarkeinternational.com

© Copyright, Clarke International, December, 2003. All rights reserved.



When disposing of this product, do not dispose of with general waste. It must be disposed of according to the laws governing Waste Electrical and Electronic equipment, at a recognised disposal facility.

Thank you for purchasing this CLARKE COLD WATER WASHER.

This machine is a lightweight, portable, high pressure power washer, designed for general DIY and LIGHT INDUSTRIAL use.

These washers are ideal for cleaning greasy engines, garden furniture or removing oil spots from driveways/patios etc.

The washer comprises an electric motor, pump, a high pressure hose with a trigger and lance, and provision for use with foam or cleaning agents. On model ELS145R and 160R, the high pressure hose is mounted on a reel, at the back of the machine, to provide easy and convenient storage.

Before attempting to use your washer, please read this instruction manual thoroughly and carefully follow all instructions. By doing so you will ensure the safety of yourself and that of others around you, and you also can look forward to the washer giving you long and satisfactory service.

GUARANTEE

This CLARKE product is guaranteed against faulty manufacture for a period of 12 months from the date of purchase. Please keep your receipt as proof of purchase.

This guarantee is invalid if the product is found to have been abused or tampered with in any way, or not used for the purpose for which it was intended.

Faulty goods should be returned to their place of purchase, no product can be returned to us without prior permission. This guarantee does not effect your statutory rights.

CONTENTS

	Page
Specifications	2
Parts and Servicing Contacts	2
Safety Precautions	4
Electrical Connections	5
Assembly and Preparation for use	6
Operation	7
Chemical Injection Facility	9
Shutting Down the Machine	9
Maintenance	10
Troubleshooting	11
Parts List and Diagram	12 - 20
Accessories	21
Declaration of Conformity	22

SAFETY PRECAUTIONS

WARNING

Water at high pressure can be dangerous and may cause severe damage to persons or property if subject to misuse.

NEVER allow anyone to operate this equipment unless they are thoroughly reliable, and completely familiar with the safety precautions.

1. Never direct the spray jet at any person or animal.
2. Never hold a finger over the high pressure nozzle.
3. Never direct the spray jet at the machine itself or any other electrical equipment.
4. After use, and before disconnecting hoses, release the pressure in the high pressure hose by operating the trigger. Do not attempt to disconnect any hose or coupling with pressure still in the hose.
5. Never operate the machine with the covers removed.
6. Do not, attempt any electrical or mechanical repair. If you have a problem with your machine contact your local dealer or Clarke Customer Services Dept., tel: 020 8988 7400
7. Never supply any liquid other than water to the water inlet.
8. Use only chemical cleaning agents (detergents) approved for power washing when using the chemical injection facility.
9. Never use the chemical injection facility to introduce solvents eg. paint thinners, petrol, oil, etc.
10. Do not operate the machine whilst standing on ladders: use a platform tower or scaffolding.
11. Children should NOT be allowed to use the machine.
12. You should always wear the appropriate protective clothing and non-slip shoes when operating this machine. We also recommend the use of safety goggles for any application where loose particles of stone or grit etc. may be blown around by the high pressure spray.
13. When not in use, disconnect from the electrical supply and disconnect the hoses from the machine, ensuring they are drained of water. Store in a dry, frost free environment. Failing this, ensure the pump is filled with anti freeze. (See Maintenance).
14. Disconnect from the mains supply before carrying out any maintenance or servicing.
15. Never pull the washer by the power cable, or yank the cable to disconnect it from the socket. Keep the cable away from heat, oil or sharp edges.

ELECTRICAL CONNECTIONS

WARNING: THIS MACHINE MUST BE EARTHED.

This product is provided with a standard 13 amp, 230 volt (50Hz). BS 1363 plug, for connection to a standard, domestic electrical supply. Should the plug need changing at any time, ensure that a plug of identical specification is used.

IMPORTANT: The wires in the mains lead should be wired up in accordance with the following colour code:

Green & Yellow	-	Earth
Blue	-	Neutral
Brown	-	Live

As the colours of the wires in the mains lead may not correspond with the coloured markings identifying the terminals in your plug, proceed as follows:

- Connect the GREEN & YELLOW cord to terminal marked with a letter "E" or Earth symbol "⏚"
- Connect BROWN cord to plug terminal marked letter "L"
- Connect BLUE cord to plug terminal marked letter "N"

We recommend that this machine is connected to the mains supply through a Residual Current Device (RCD).

FUSE RATING

The fuse in the plug for this appliance must be rated at **13 amps**

IMPORTANT:

If this appliance is fitted with a plug which is moulded onto the electric cable (i.e non-rewirable):

1. **The plug must be thrown away if it is cut from the electric cable. There is a danger of electric shock if it is subsequently inserted into a socket outlet.**
2. **Never use the plug without the fuse cover fitted.**
3. **Should you wish to replace a detachable fuse carrier, ensure that the correct replacement is used (as indicated by marking or colour code).**
4. **Replacement fuse covers can be obtained from your local dealer or most electrical stockists.**

EXTENSION CABLES

If an extension cable is used, always ensure it is fully unwound. When used outdoors, ensure the extension cable is specifically designed for outdoor use.

The maximum extension length is 25 metres. Ensure that the wire sizes in the cable are at least 2.5mm² in cross section. As a general rule, the extension cable must be thicker than the cable supplied with the washer.

IF IN DOUBT, CONSULT A QUALIFIED ELECTRICIAN...Do not attempt any repairs yourself.

ASSEMBLY AND PREPARATION

The machine is supplied fully assembled except as detailed below.

Attach the cable and hose storage brackets by sliding them into place on either side of the handle assembly, as shown in Fig.1.



Fig.1

Model ELS145 &145R

The lance is in two sections, the high pressure hose being integral with the lance handle and trigger assembly.

Assemble by slotting the spigot end of the lance into the handle assembly. Push in firmly and twist to lock it in position as shown in Fig. 2.



Fig.2

Model ELS160R

The Lance is also in two sections, and assembled by screwing the two halves together as shown in Fig. 3. The high pressure hose is screwed to the adapter, just forward of the trigger assembly



Fig.3

Models ELS145R &160R

The hoses to the 145R and 160R are attached to the Reel

Model 160R requires the hose to be screwed into the lance - just forward of the trigger assembly. Take care not to cross thread the fine threads.

Model ELS145

Screw the loose end of the high pressure hose from the Lance, into the high pressure outlet at the front of the machine, shown in Fig. 4.



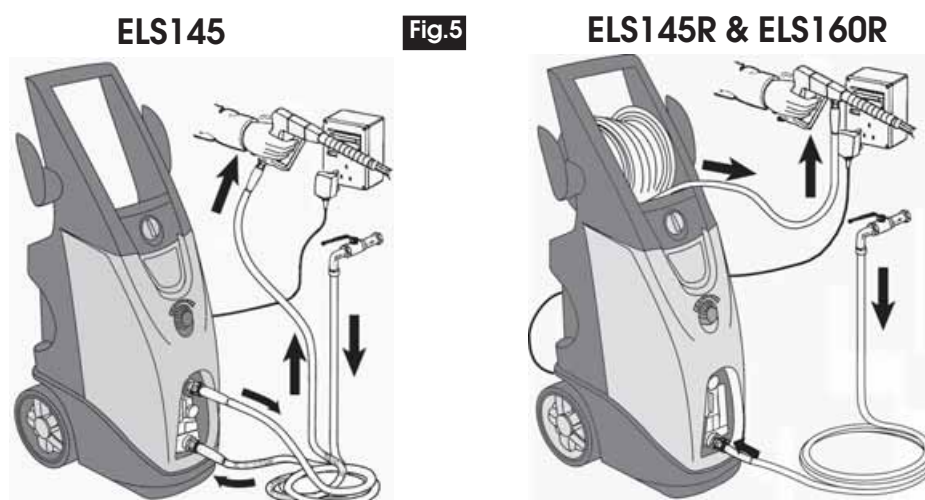
Fig.4

ALL Models

The low pressure water inlet, shown in Fig. 3, carries a 3/4" BSP thread.

A 3/4" BSP adapter with a 1/2" hose connector is provided, so that a suitable hose (not supplied), may be attached. You may use either a worm drive clip (not supplied), or a snap-on type connector, commonly available from most hardware or DIY stores, to attach the hose, the other end of which should be connected to your water supply.

We recommend that you connect to a supply of CLEAN WATER ONLY.



OPERATION

Make certain the PUMP ON/OFF switch which is located on the front panel, is set to the OFF position - marked 'O'.

Connect the plug to the mains supply preferably via a Residual Current Device.

Turn the water tap fully on.

When starting, you should always adopt the following procedure:

1. In order to ease the starting process, and to prevent the possibility of blown fuses, pull the trigger on the lance - it may be necessary to release the safety latch, please see Fig. 6.



2. Hold the trigger in that position whilst switching the pump ON, and allow the pump to run for a few moments to develop full pressure
3. You may release the trigger once full pressure is developed. In doing so the pump will stop, and will start again as soon as the trigger is pressed once more.

NOTE: For the reasons given above, it is recommended that you ALWAYS set the jet to its LOW PRESSURE setting before switching ON. This is achieved as follows:

ELS 145 & 145R

Water pressure is regulated by turning the adjuster at the nozzle end of the lance, (as shown by the arrows on the ferrule), ANTICLOCKWISE to INCREASE pressure and CLOCKWISE to DECREASE, (looking from the handle end).

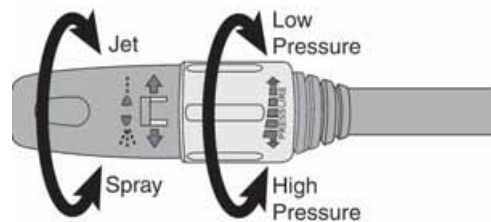


Fig.7

If you desire a fan spray, turn the nozzle fully anticlockwise - for a high pressure pencil jet, turn it fully clockwise.

ELS 160R

As illustrated in Fig. 8, pull the nozzle IN for high pressure and OUT for low pressure. Additionally, turn the nozzle, as indicated, to change from jet to fan spray.

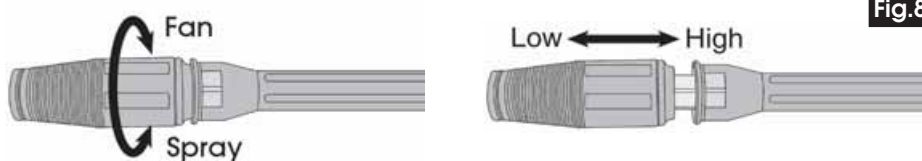


Fig.8

In the event that you switch the machine OFF, but intend to continue with its use after a few minutes or so, DO NOT depress the trigger, but set the safety latch to prevent it from being accidentally pulled. This will ease and assist the subsequent restarting of the motor as pressures will remain equalised on either side of the pump, thereby reducing the load on the motor when restarting.

NEVER attempt to run the machine with water supply disconnected or turned off.

It is recommended that whenever possible, a screen or partition be erected between the washer and the wash area, to prevent accidental spraying of the machine. Any moisture entering the machine could cause serious damage.

CAUTION

Ensure the operator is aware that when the trigger is pulled, water at high pressure can cause the lance to kick - it should therefore be held firmly. In addition, care must be taken to ensure that the nozzle is NOT aimed at an area where the water jet will cause damage, i.e. away from people, animals, windows - greenhouses etc., and be aware that splash back could also cause damage if the jet is trained on a nearby wall etc.

CHEMICAL INJECTION FACILITY

IMPORTANT: The chemical injection facility will ONLY operate at LOW pressure.

If you intend to use the chemical injection facility, fill the detergent tanks at the rear of the unit, shown in Fig.9, with the requisite detergent.

The amount of detergent that enters the system may be regulated by turning the knob on the front of the unit shown in Fig. 10.

Note that two tanks are provided so that a detergent/cleaner may be used in one and a wax/shampoo in the other, for example.

By turning the regulator knob to the left - the medium in the left tank (looking from the front) will be used, and turning to the right-will use the right tank

Max. provides a mixture strength of approx. 15:1...Min-approx. 1000:1.

Use ONLY those detergents specifically designed for use with Power Washers. We recommend the use of CLARKE Traffic Film Remover, which is a powerful low foaming agent for car cleaning, patio cleaning etc., or CLARKE Wash & Wax, both available from your CLARKE dealer.

IMPORTANT: Ensure you read and comply with the manufacturers instructions regarding the use of chemical detergents.



Fig.9



Fig.10

SHUTTING DOWN THE MACHINE

If the chemical injection facility has been used, turn the pressure adjuster on the end of the lance to HIGH pressure, and allow the pump to run for a minute or so until the water being ejected is foam free, then switch OFF the pump.

Disconnect from the mains electrical supply, and turn OFF the water supply - disconnect where appropriate.

IMPORTANT:

ALWAYS operate the lance trigger once more to ensure there is no pressure in the high pressure hose. NEVER disconnect the high pressure hose without first pulling the trigger.

MAINTENANCE

WARNING:

Ensure the plug is removed from the socket before carrying out any adjustment, servicing or maintenance.

AFTER EACH USE

When using chemical detergents, always ensure the system is thoroughly flushed out after use as described above.

Ensure the hoses and power cable are coiled and properly stowed. DO NOT allow them to be left casually, in a heap. This invites damage and will cause rapid deterioration.

STORAGE

Store the Washer in a vertical position, preferably under cover, protected from the elements.

If there is a danger of freezing, the pump should be filled with antifreeze by inserting the inlet and outlet hoses into a bucket of antifreeze as shown in fig. 7.

Start the machine and allow the antifreeze to circulate. After a short time stop the machine using the procedure outlined on page 9, and store the machine with the antifreeze still within the pump body.

NOTE:

If you experience difficulty in starting the motor following a long period of storage, it is possible that the seals within the pump have dried out and are gripping the pistons. This problem may be alleviated by storing the machine with antifreeze within the pump body, as described above.

If the seals are stuck however, disconnect the machine from the electrical and water supply's, and proceed to free them as follows:

Remove the lower rear cover by unscrewing the four securing screws, to reveal the motor cover.

On the top of the motor is a circular plastic grill, covering the motors' fan. In its' centre is a hole, through which can be seen the head of a hex. socket head screw.

Insert a hex. wrench (not supplied), through the hole, into the screw head, as shown in Fig.8, and turn the motor a turn or two to free it. It should now be possible to start in the normal way.

Fig.7



Fig.8

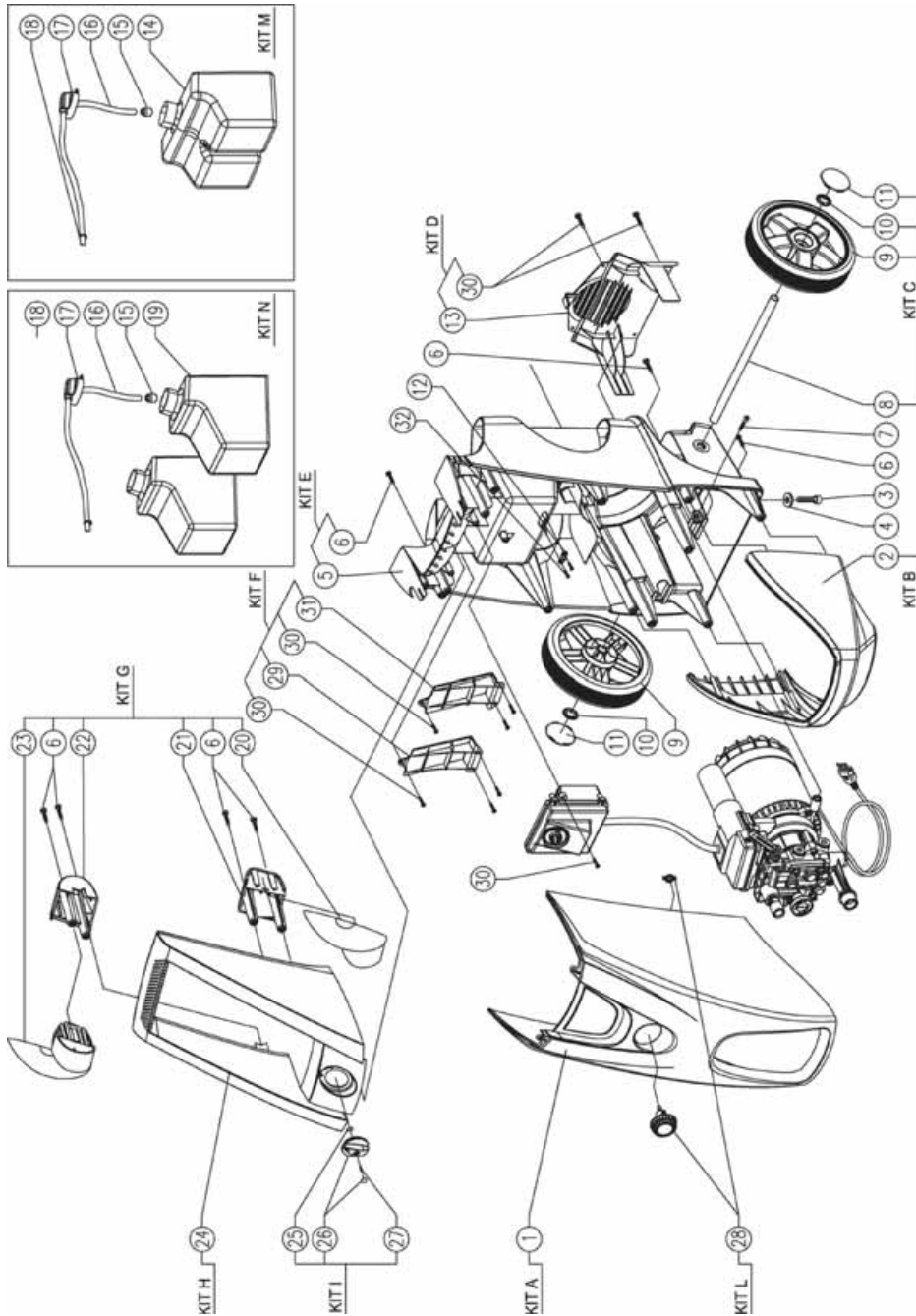


TROUBLE SHOOTING

FAULT	CAUSE	REMEDY
Pressure drop	<ol style="list-style-type: none"> 1. Air in system 2. Worn high pressure nozzle. 3. Pressure regulator incorrectly set 	<ol style="list-style-type: none"> 1. Bleed system by quickly operating trigger several times. If necessary operate the machine briefly without the high pressure hose connected. 2. Renew nozzle 3. Set to required working pressure by turning press. adjuster. (see p8.)
Pressure fluctuations or pressure drop	<ol style="list-style-type: none"> 1. No water 2. Water supply hose too long/too small diameter 3. No water due to clogged inlet filter 	<ol style="list-style-type: none"> 1. Turn on water tap 2. Use min. 1/2" dia. water supply hose 3. Clean water filter
Oil leak	Worn seals	Contact your CLARKE Dealer
Motor does not start when switched on*	<ol style="list-style-type: none"> 1. Plug is not connected properly. 2. Mains fuse tripped/blown 	<ol style="list-style-type: none"> 1. Check plug and lead and have them replaced by a qualified electrician if necessary 2. Renew fuse or reset.
Motor hums when trigger operated and does not start	<ol style="list-style-type: none"> 1. Mains voltage too low 2. Incorrect dia cable resulting in voltage drop 	<ol style="list-style-type: none"> 1. Have electrical connection checked 2. Use correct dia. cable
Motor cuts out - trigger open	<ol style="list-style-type: none"> 1. Motor protection switch has been activated due to overheating or motor overload. 2. Nozzle partly clogged 	<ol style="list-style-type: none"> 1. Ensure supply voltage and unit voltage are equal. Switch off and allow to cool for at least three minutes 2. Clean using the supplied nozzle cleaning needle
Additives are not being supplied	<ol style="list-style-type: none"> 1. Additive container empty 2. Lance not correctly set 	<ol style="list-style-type: none"> 1. Fill additive container 2. Put lance on low pressure setting

* If the washer is switched OFF and then switched back ON, when there is still pressure in the pump (i.e. without operating the trigger), the pump will not start until such time that the trigger is pulled.

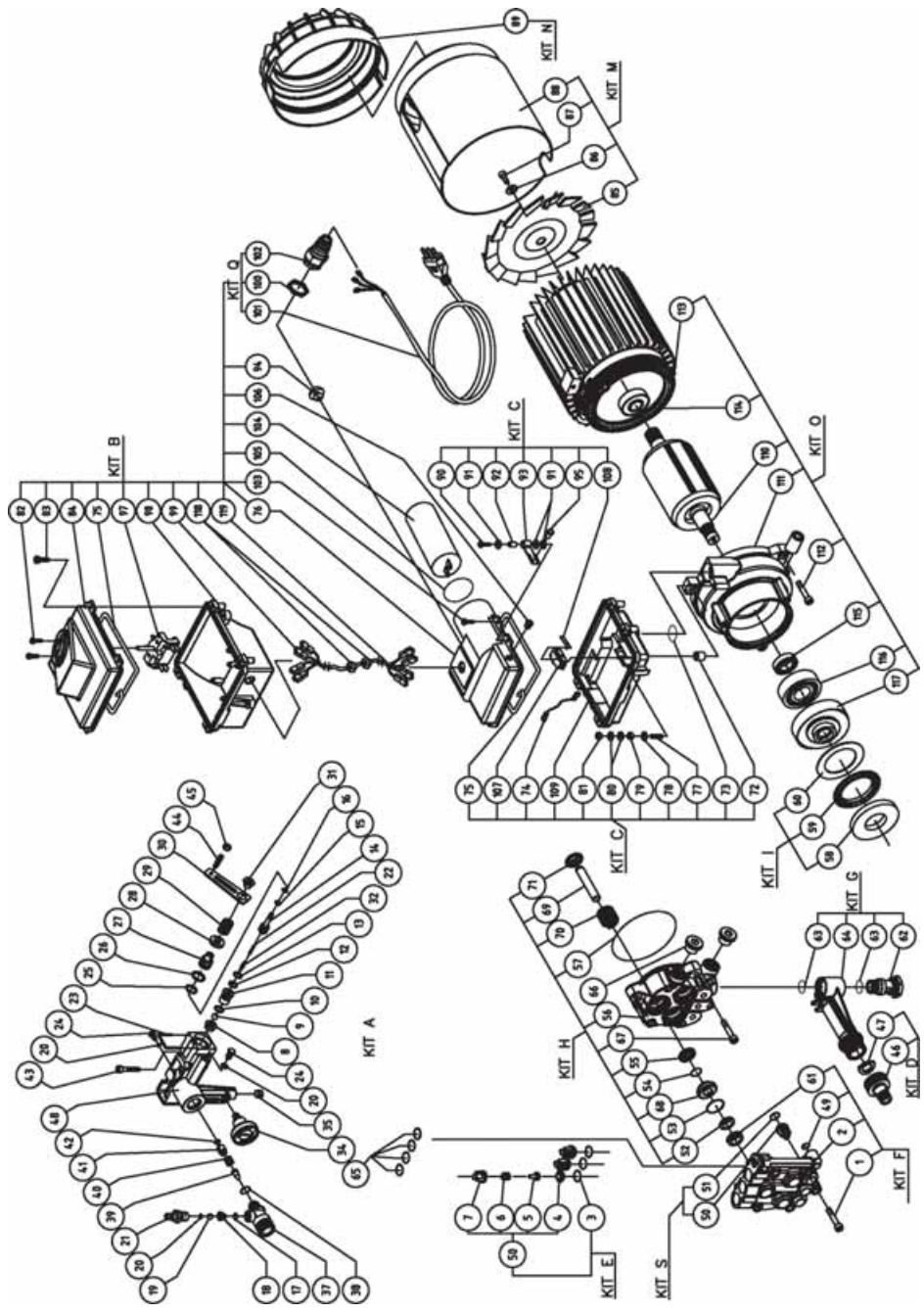
PARTS DIAGRAM - ELS145



PARTS LIST - ELS145

KIT NO.	KIT	ITEM	DESCRIPTION	QTY	PART NO.
KTRI93635	A	1	Front Cover	1	MPVR92126
KTRI93502	B	2	Lower Front Cover	1	MPVR92120
		6	Screw	4	VTVT80745
KTRI93503	C	8	Axle	1	LAFN92146
		9	Wheel	2	RTRT91967
		10	Locking Washer	2	VTRS60945
		11	End Cap	2	MPVR91970
KTRI93504	D	13	Motor Cover	1	MPVR92355
		30	Screw	4	VTVT67350
KTRI93505	E	5	Rear Cover	1	MPVR92122
		6	Screw	4	VTVT80745
KTRI93506	F	29	Small Cover RH	1	MPVR93244
		30	Screw	6	VTVT67350
		31	Small Cover LH	1	MPVR93245
KTRI93507	G	6	Screw	2	VTVT80745
		20	Plastic Bracket - Cable/ Hose LH	1	MPVR92117
		21	Plastic Bracket LH	1	MPVR92113
		22	Plastic Bracket RH	1	MPVR92114
		23	Plastic Bracket - Cable/ Hose RH	1	MPVR92116
KTRI93623	H	24	Handle Assembly	1	MPVR92477
KTRI93509	I	25	O-Ring	1	GUGO01060
		26	ON/OFF Switch	1	MPVR91917
		27	Screw	1	VTVT92473
KTRI93524	L	28	Regulator Knob	1	RCGR93688
KTRI93525	M	15	Filter	1	MPVR60422
		16	Plastic Tube 0.9	-	TBBP04917
		17	Filler Cap	1	MPVR91923
		18	Connector	2	FSVR72803
		19	Container	2	MPVR92131
			3	Screw	1
		4	Washer	1	VTRS00512
		6	Screw	2	VTVT80745
		12	Clamp	1	MPVR60495
30	Screw	4	VTVT67350		
32	Screw	2	VTVT62978		

PUMP AND MOTOR PARTS - ELS145



PUMP AND MOTOR PARTS LIST - ELS 145

Please note that parts are available in kit form only

KIT	Part No.	Description	Item Nos:
A	KTRI93402	MANIFOLD KIT	8-32, 34, 35, 37-45,48 & 65
B	KTRI93582	CONTROL BOARD KIT	75,76, 82-84, 94, 97-106, 118, & 119
C	KTRI93404	CONTROL BOARD KIT	72, 73, 79-81, 90-93, 95, 107, 109
D	KTRI82810	QUICK SOCKET KIT	46, 47
E	KTRI82808	SMALL VALVE KIT	3-7, 50
F	KTRI93991	HEAD KIT	1, 2, 49, 61
G	KTRI93406	INTAKE CONNECT.KIT	62-64
H	KTRI94268	CRANKCASE	53-57, 66-71
I	KTRI82812	ROLLER BEARING KIT	58-60
M	KTRI82834	CONVEYOR KIT	85-88
N	KTRI93409	CONVEYOR KIT	89
O	KTRI93408	MOTOR KIT	110-117
Q	KTRI83880	CABLE KIT	100-102
S	KTRI83170	SMALL VALVE KIT	50-51

PARTS & SERVICE CONTACTS

For Spare Parts and Service, please contact your nearest dealer,
or CLARKE International, on one of the following numbers.

PARTS & SERVICE TEL: 020 8988 7400

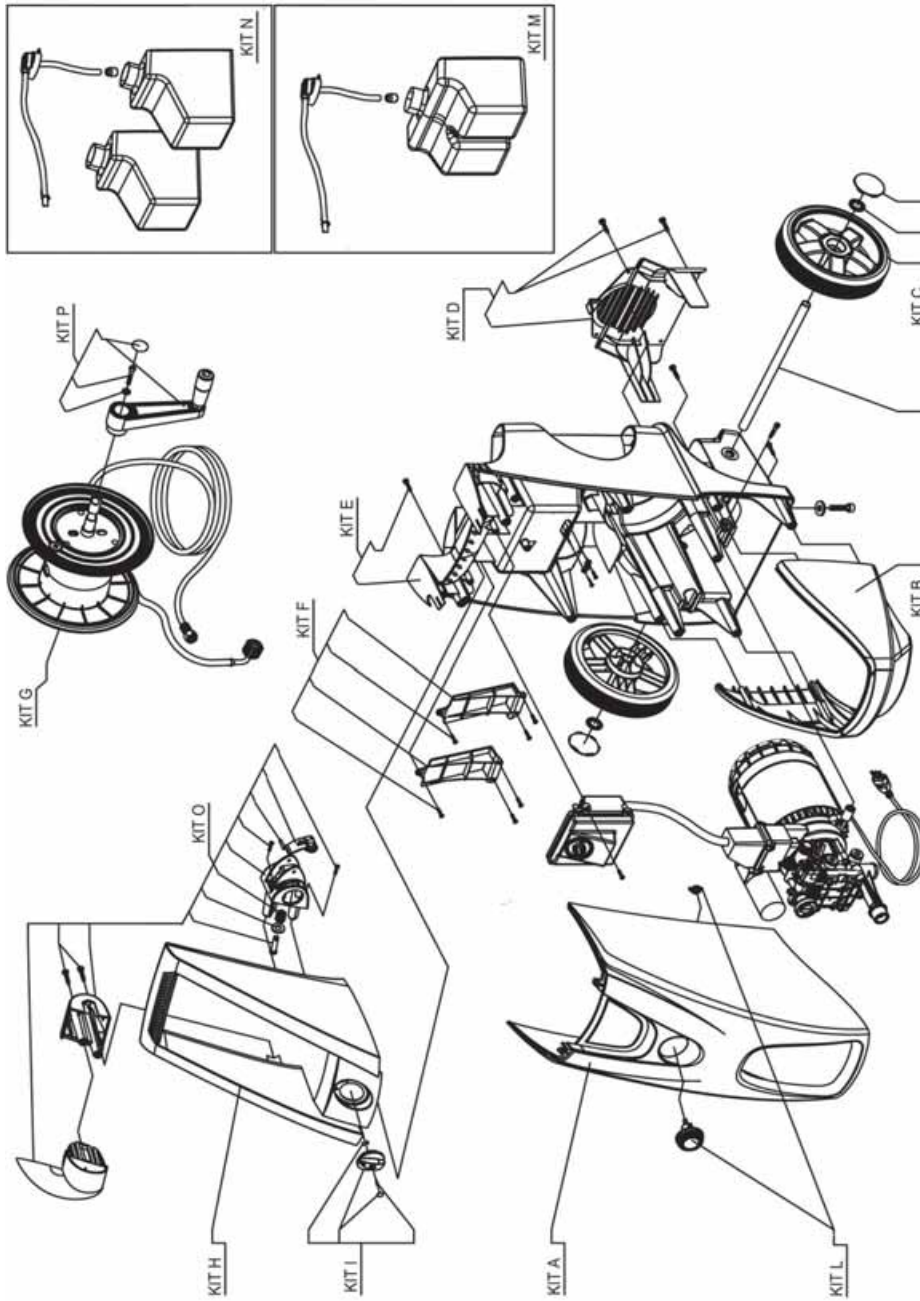
PARTS & SERVICE FAX: 020 8558 3622

or e-mail as follows:

PARTS: Parts@clarkeinternational.com

SERVICE: Service@clarkeinternational.com

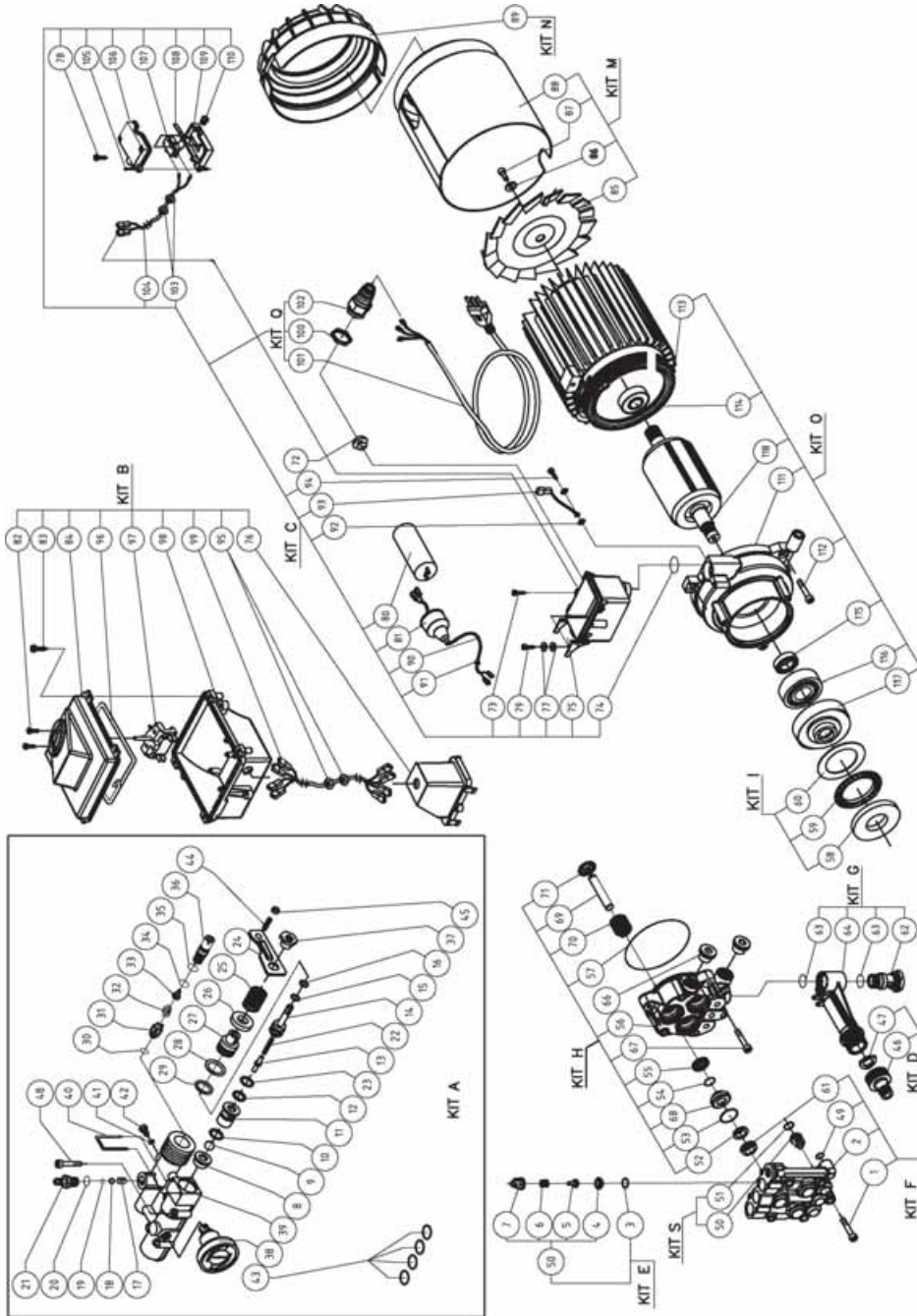
PARTS DIAGRAM - ELS145R - 160R



PARTS LIST - ELS145R - 160R

KIT NO:	KIT	ITEM	DESCRIPTION	QTY	PART NO:
		3	Screw	1	VTVT90541
		3	Screw (ELS145R)	1	VTVT29810
		4	Washer	1	VTRS63242
		4	Screw (ELS145R)	1	VTRS00512
		6	Screw	6	VTVT80745
		7	Screw	2	VTVT01573
		12	Clamp	1	MPVR60495
		30	Screw	3	VTVT67350
		32	Screw	2	VTVT62978
KTRI93635	A	1	Front Cove	1	MPVR92126
KTRI93502	B	2	Lower Front Cover	1	MPVR92120
	B	6	Screw	4	VTVT80745
KTRI93503	C	8	Axle	1	LAFN92146
	C	9	Wheel	2	RTRT91967
	C	10	Locking Washer	2	VTRS60945
	C	11	End Cap	2	MPVR91970
KTRI93504	D	13	Rear Motor Cover	1	MPVR92355
	D	30	Screw	4	VTVT67350
KTRI93505	E	5	Rear Cover	1	MPVR92122
	E	6	Screw	4	VTVT80745
KTRI93506	F	29	Small Cover RH	1	MPVR93244
	F	30	Screw	6	VTVT67350
	F	31	Small Cover LH	1	MPVR93245
KTRI93526	G	37	Hose Reel Assembly	1	AVTB93807
	G	37	Hose Reel Assembly (ELS145R)	1	AVTB93800
KTRI93623	H	24	Handle Assembly	1	MPVR92477
KTRI93509	I	25	O-Ring	1	GUGO01060
	I	26	ON/OFF Switch	1	MPVR91917
	I	27	Screw	1	VTVT92473
KTRI93524	L	28	Regulation Knob	1	RCGR93688
KTRI93525	N	15	Filter	1	MPVR60422
	N	16	Plastic Tube 1.5	-	TBBP04917
	N	17	Filler Cap	2	MPVR91923
	N	18	Connector	2	FSVR72803
	N	19	Container	2	MPVR92131
KTRI93522	O	6	Screw	2	VTVT80745
	O	6	Screw	2	VTVT80745
	O	20	Clip	1	MPVR92108
	O	21	Pin	1	VTVR92465
	O	22	Plastic Bracket	1	MPVR92112
	O	23	Cable Tidy	1	MPVR92116
	O	33	Bracket	1	MPVR92118
	O	34	Bolt	1	MLML92466
	O	35	Valve	1	LAFN40163
	O	36	Pin	1	RCDS92467
KTRI93527	P	39	Screw	1	VTVT67352
	P	39	Screw (ELS145R)	1	VTVT01573
	P	14	Washer	1	VTRS63232
	P	38	End Cap	1	MPVR92147

PUMP AND MOTOR PARTS - ELS145R & ELS160R



PUMP AND MOTOR PARTS LIST - ELS145R & 160R

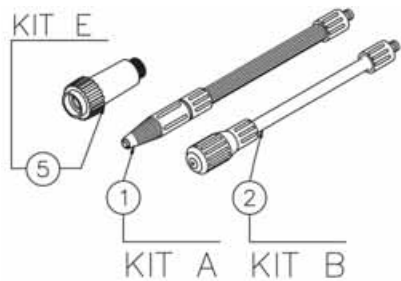
Please note that parts are available in kit form only

ELS45R

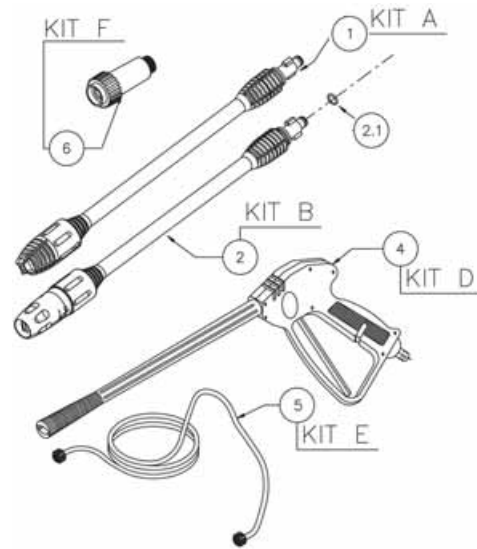
Kit	Part No.	Description	Item Nos:
A	KTRI94076	MANIFOLD KIT	8-45, 48
B	KTRI93529	CONTROL BOARD KIT	76, 82-84, 95-99
C	KTRI93583	CONTROL BOARD KIT	72-81, 90-94, 100-107, 109-110
D	KTRI82810	QUICK RELEASE COUPLING	46-47
E	KTRI82808	VALVE KIT	3 -7, 50
F	KTRI93991	HEAD KIT	1-2, 42, 60
G	KTRI93406	INTAKE CONNECTION KIT	62-64
H	KTRI94268	CRANKCASE	53-57, 66-71
I	KTRI82812	ROLLER BEARING KIT	58-60
M	KTRI82834	FAN & HOUSING	85-88
N	KTRI93409	END COVER	89
O	KTRI93408	MOTOR KIT	111-118
Q	KTRI83880	CABLE KIT	100-0102
S	KTRI83170	VALVE KIT	50-51

ELS160R

Kit	Part No.	Description	Item Nos:
A	KTRI93549	MANIFOLD	8-45, 48
B	KTRI93529	CONTROL BOARD KIT	76 82-84, 95-98
C	KTRI93996	CONTROL BOARD	72-75, 77-80, 91-94, 100-107, 109,110
D	KTRI82810	QUICK RELEASE COUPLING	46, 47
E	KTRI82808	VALVE KIT	3-7, 50
F	KTRI93405	HEAD KIT	1-2, 49, 61
G	KTRI93406	INTAKE CONNECTIOON KIT	62-64
H	KTRI93407	CRANKCASE	53-57, 66-71
I	KTRI82812	ROLLER BEARING KIT	58-60
M	KTRI93544	FAN & HOUSING	85-86, 88
N	KTRI93409	END COVER	89
K	KTRI93545	MOTOR KIT	111-118
Q	KTRI83880	CABLE KIT	100-102
S	KTRI83170	VALVE KIT	50-51



ELS145 LANCE



ELS145R & 160R LANCE

PARTS LIST

Item	Description	Part No.
1	Frame	FPELS14001
2	Cover	FPELS14002
3	ON/OFF switch box compl.	FPELS14003
4	Motor w/Pump Assy. (ELS145)	FPELS14004
4	Motor w/Pump Assy. (ELS160R)	FPELS15004
5	Hydraulic cut out	FPELS14005
6	High Press. Hose w/Gun assy. (ELS145)	FPELS14006
6	High Press. Hose w/Gun assy. 10M (ELS145R/160R)	FPELS140R06
6	High Press. Hose w/Gun assy. (ELS160)	FPELS15006
7	Lance (ELS145)	FPELS14007
7	Lance (ELS160)	FPELS15007
8	Mains Cable complete	FPELS14008
9	Hose Reel complete	FPELS14009
10	Connecting Hose	FPELS14010

ACCESSORIES

A range of accessories designed for use with your washer are available from your CLARKE dealer, as follows:

ELS145/145R	Part No.
Rotary Brush	7310010
Turbo Nozzle	7310000
Car Brush	7310020
Water Sandblaster	7310015
Drain Cleaner	7310025
Foam Lance with Detergent Bottle	7310118
Traffic Film Remover 5 litre concentrate	3050821
Traffic Film Remover 25 litre concentrate	3050820
Wash `n` Wax 5 litre	3050815
Sand for Sandblaster	7320005



Drain Cleaner



Rotary Brush



Car Brush



Sand Blaster



Foam Lance w/Detergent Bottle

ELS160R	Part No.
Rotary Brush	7310107
Water Sandblaster	7310108
Drain Cleaner	7310109
Traffic Film Remover 5 litre	3050821
Traffic Film Remover 25 litre	3050820
Wash `n` Wax 5 litre	3050815
Sand for Sandblaster	7320005

Clarke[®]

INTERNATIONAL

This is an important document and should be retained

DECLARATION OF CONFORMITY



We declare that this product complies with the following standards/directives:

- **98/37/EEC**
- **2000/14/EC**

Sound Power Level: Guaranteed	ELS145	ELS160
	91dB _{LWA}	94 dB _{LWA}

Description: **POWER WASHER**

Model No: **ELS RANGE**

Serial (Batch) No: **See Product Date Plate**

Signed: 
D. Kemp
Engineering Manager

Clarke[®] INTERNATIONAL
Hemnal Street, Epping, Essex CM16 4LG