

CLARK®

METALWORKER



4½" Angle Grinder

Model CAG122

Part Number 6470127

Operating & Maintenance



Instructions

© 0111

Specifications

Model No	CAG 122
Part No	6470127
Supply Voltage	230 V AC, 50 Hz, 1 Phase
Motor input wattage	900Watts
Fuse Rating	13A
Insulation Class	II (Double Insulated)
No Load Speed	10,000 RPM
Sound Pressure level	89.7 dB(A)
Vibration Level (see P 12)	13.2m/s ²
Maximum Cutting Wheel Diameter	115mm
Cutting Wheel Bore	22mm
Drive Spindle Thread	M14
Tool Weight	2.3kg

If you have any problems using or setting up your Grinder call
the Clarke Helpline on :

020 8988 7400

Press 1 for Parts : 2 for Technical Assistance

 Do not dispose of this product with general household waste. It must be disposed of according to all laws governing the disposal electrical and electronic waste, at a proper disposal facility.

Contents

Specifications	2
Guarantee	3
Features and Use	3
For your Own Safety	4
General Safety Precautions : For Power Tools	4
Safety Precautions : For Angle Grinders	5
Electrical Connections	6
Overview of your Angle Grinder	7
Mounting the Grinding Wheel / Cutting Disk	8
Maintenance	9
Troubleshooting	10
Parts and Service Contacts	10
Spare Parts Diagram	11
Spare Parts List	11
Recommended Grinding Wheels / Cutting Disks	11
Vibration Emissions	12

Thank you for purchasing this Clarke Angle Grinder. Before using please read these instructions. This is for your own safety and that of others around you, and to help you achieve long and trouble free service from the Grinder.

Guarantee

This product is guaranteed against faults in manufacture for 12 months from purchase date. Keep your receipt as proof of purchase.

This guarantee is invalid if the product has been abused or tampered with in any way, or not used for the purpose for which it is intended. The reason for return must be clearly stated.

This guarantee does not affect your statutory rights.

Features and Use

This Angle Grinder is a hand held power tool that uses abrasive disks to grind metals or masonry. It is intended for D.I.Y and light commercial use only. The grinder features a moveable guard, a spindle lock and a safety ON/OFF switch.

For Your Own Safety

WARNING:

As with all machinery, there are certain hazards involved with their operation and use. Exercising respect and caution will considerably lessen the risk of personal injury. However, if normal safety precautions are overlooked or ignored, personal injury to the operator or damage to property, may result.



Keep children away when using Power Tools.



Eye protection manufactured to the current European Safety Standard should be worn when using Power Tools.



General Safety Precautions : For Power Tools

✔ **Always** check for damage before using the tool. Any damaged part should be checked to ensure that it will operate properly and perform its intended function. Check for alignment of moving parts, breakage of parts, mountings and any other condition that may affect the tools' operation. Any damage should be properly repaired or the part replaced before the tool is used.

If in doubt Do Not use the tool. Consult your local dealer.

✔ **Always** ensure that adequate lighting is available. A minimum intensity of 300 lux should be provided. Ensure that lighting is placed so that you will not be working in your own shadow.

✔ **Always** wear safety goggles manufactured to the latest European Safety Standards, everyday eyeglasses do not have impact resistant lenses, they are NOT safety glasses.

✔ **Always** use a face or dust mask if operation is particularly dusty.

✔ **Always** disconnect the tool from the power supply before servicing and when changing accessories.

✔ **Always** use in a suitable environment. Don't use power tools in damp or wet locations or expose them to rain. Keep your work area well illuminated. Do Not use in explosive atmosphere. (i.e near flammable liquids etc.).

✔ **Always** keep work area clean and clear. Cluttered areas and benches invite accidents.

✔ **Always** wear proper apparel. Loose clothing or jewellery may get caught in moving parts. Wear protective hair covering to contain long hair.

✔ **Always** handle equipment with care. Do Not carry the tool by its' electric cable, or yank the cable to disconnect it from the power supply.

✔ **Always** ensure the switch is OFF before plugging in to mains. This will ensure the equipment does not start accidentally.

✔ **Always** follow the maintenance instructions. Keep tools clean and maintained for the best and safest performance.

⚠ **Never** force the tool. It will do a better and safer job at the rate for which it was designed.

⚠ **Never** operate equipment while under the influence of Drugs, Alcohol or any Medication.

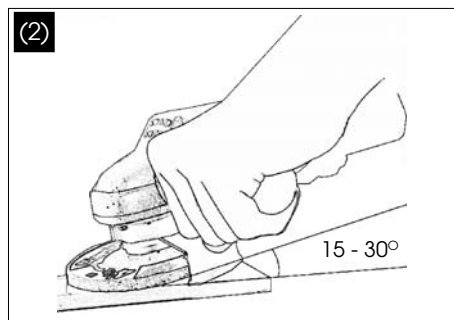
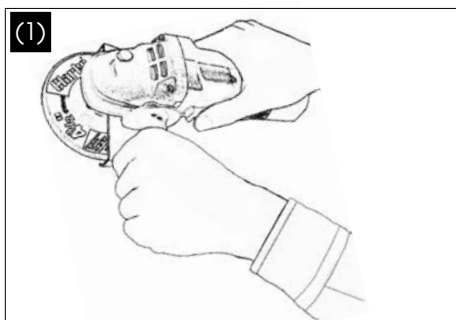
⚠ **Do Not** overreach. Keep your proper footing/balance at all times. For best footing wear rubber soled footwear. Keep floor clear of oil, scrap wood, etc.

⚠ **Only Use** recommended accessories. The use of improper accessories could be hazardous

⚠ Additional Safety Precautions : For Angle Grinders

- 👁** Eye Protection manufactured to the current European Safety Standard should be worn when operating grinding equipment.
- 👂** Ear Protection manufactured to the current European Safety Standard should be worn when operating grinding equipment.
- 👤** A Dust Mask manufactured to the current European Safety Standard should be worn when operating grinding equipment.
- ⚠** **WARNING !** Ensure all accessories used are rated at the spindle speed, or higher.
- ⚠** **WARNING !** Never press the spindle lock while the disc is rotating.

- ✔** **Always** wear a good pair of industrial gloves to avoid potential injury from sparks and debris.
- ✔** **Always** keep the mains cable well away from the tool. Ensure an adequate electrical supply is close at hand so that the operation is not restricted by the length of the cable.
- ✔** **Always** switch the tool OFF immediately when the task is completed.
- ✔** **Always** ensure the grinding wheel or cutting disc is fully tightened before use.
- ✔** **Always** ensure the wheel / disc is not touching the work when switching ON.
- ✔** **Always** allow the Grinder to run briefly before using. Check for vibration which could indicate poor balance or installation of the wheel/disc.
- ✔** **Always** hold the tool firmly in BOTH hands (as shown in figure (1)).
- ⚠** **Never** use excessive force. It should only be necessary to use a little more than the weight of the tool. If the rotational speed drops abnormally, reduce pressure immediately. Forcing the tool and excessive pressure can cause dangerous disc breakage and/or damage to the tool.
- ⚠** **Never** allow the ventilation slots in the tool to become blocked.
- ⚠** **Never** use the tool with the guard removed. If the guard becomes damaged, it must be replaced.
- ⚠** **Never** use the tool in a confined space which may limit body movement.
- ⚠** **Use only** wheels/discs designed for their specific function. (see page 11)
- ⚠** **Beware** of flying sparks. Hold the grinder at an angle of 15 - 30° to the workpiece surface (as shown in figure (2)).




Electrical Connections

Double Insulated Electrical Appliance

This appliance is of **Double Insulation Construction**. Because of its construction there is no earth required and therefore there is no Earth connection.

Connect the mains lead to a standard 230V (50Hz) electrical supply through an approved **13 Amp BS1363 plug**, or a suitably fused isolator switch.

The two wires in the mains lead should be wired up in accordance with the following colour code:

 **IMPORTANT** : The wires in the mains lead are coloured in accordance with the following code:


Blue - Neutral

Brown - Live

As the colours of the flexible cord of this appliance may not correspond with the coloured markings identifying terminals in your plug proceed as follows:

Connect **BROWN** coloured cord to plug terminal marked with a letter **L** or coloured **RED**

Connect **BLUE** coloured cord to plug terminal marked with a letter **N** or coloured **Black**

 **IMPORTANT:** If this appliance is fitted with a plug which is moulded on to the electric cable (i.e. non- re-wireable) please note:

1. The plug must be thrown away if it is cut from the electric cable. There is a danger of electric shock if it is subsequently inserted into a socket outlet.
2. Never use the plug without the fuse cover fitted.
3. Should you wish to replace a detachable fuse carrier, ensure that the correct replacement is used (as indicated by marking or colour code).
4. Replacement fuse covers can be obtained from your local dealer or most electrical stockists.
5. The fuse in the plug must be replaced with one of the same rating (**13 amps**) and this replacement must be ASTA approved to BS1362.

 **IMPORTANT:** If in any doubt, do not attempt any electrical repair yourself. Consult a qualified technician

Figure (1) Overview



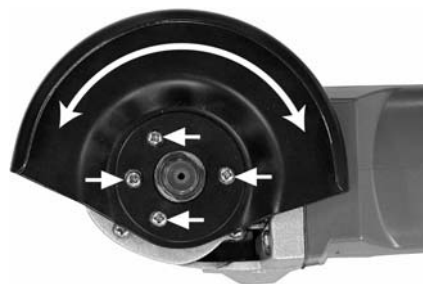
- | | | | |
|---|----------------------|---|---------------|
| 1 | Safety ON/OFF Switch | 4 | Handle |
| 2 | Spindle Lock Button | 5 | Abrasive Disk |
| 3 | Moveable Blade Guard | 6 | Body |

Before Using the Grinder

✔ **Fit the Handle :** Screw the handle (4) into the appropriate position in the grinder head as required.

✔ **Adjust the Guard :** The guard (3) needs to be adjusted to give maximum protection from sparks and debris produced when grinding. This must be done before mounting the wheel/disk. Slacken the four screws, arrowed in Fig 1a by half a turn only, sufficiently for the guard to be rotated to its desired position. When satisfied, tighten all four screws securely.

Figure.1a Adjusting the Guard



✔ **Mount the Grinding Wheel / Cutting Disc :** See page 8 for details

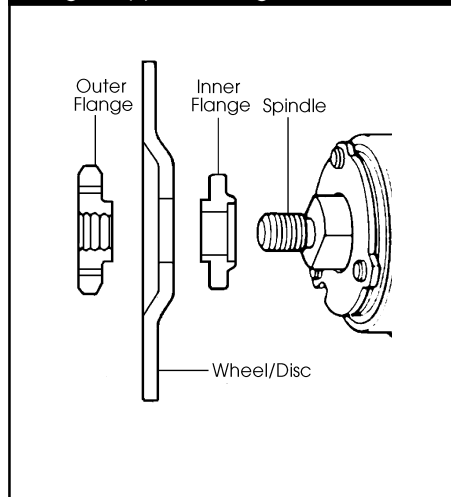
⚠ **Connecting to the Power Supply :** Connect to the power supply using a Residual Current Device. Do not use in wet or damp conditions.

⚠ **WARNING !** Ensure that the power supply is disconnected before adjusting the guard or mounting the handle.

(i) Mounting the Grinding Wheel / Cutting Disc

- 1 Unscrew and remove the outer flange :** Lock the spindle by pressing the spindle lock button and use the tool supplied to turn the flange and break the seal. It may then be screwed off by hand.
- 2 Mount the Grinding Wheel,** as shown in Figure 2. The grinding wheel supplied is a 'Depressed Centre' type. Mount with the depressed centre towards the motor.
- 3 Screw on the Outer Flange** with the raised boss facing inwards, ensuring the wheel or disk sits snugly over the raised boss on the inner flange. Tighten the flange using the tool provided, locking the spindle by pressing the spindle lock button, and taking care to ensure the wheel is still sitting snugly, centred over the flange bosses. Do not overtighten the outer flange.

Figure (2) Mounting Discs



- ⚠ IMPORTANT ! Fig (2) shows the set up for a grinding wheel. WHEN ATTACHING A CUTTING DISC YOU MUST REVERSE THE OUTER FLANGE**

Using the Grinder

- ⚠ IMPORTANT! DO NOT plug the tool in to the mains, unless you have ensured it is switched OFF and the guard is set to the desired position.**

Hold the Grinder firmly in both hands. The hand holding the body will control the ON/OFF switch, whilst the other hand grasps the handle and guides the tool over the workpiece. Hold at 15 - 30° from the workpiece.

To **Start the Motor** push the switch fully forwards. To **Stop the Motor** press down on the rear of the switch.

Allow the tool to do the work, do not force the wheel on to the workpiece.

- ⚠ IMPORTANT! BE AWARE at all times, the tool can be very dangerous if not used properly**

Maintenance

⚠ IMPORTANT! Ensure that the grinder is disconnected from the power supply before carrying out any maintenance.

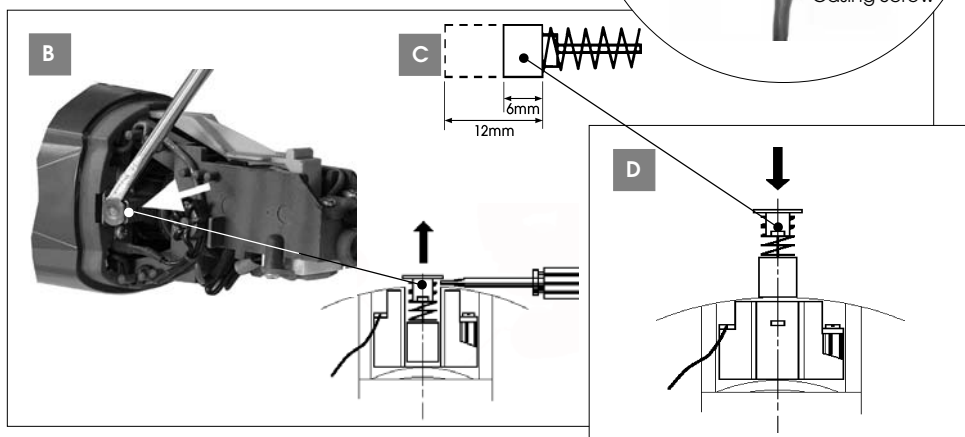
⚠ Before Each Use

- ✓ Always inspect the tool before use, and ensure it is in top condition.
- ✓ Ensure all air vents are clear, use compressed air to clean the tool where possible. (Always wear protective goggles when cleaning with compressed air).
- ✓ Check the power cable to ensure it is sound and not damaged in any way.
- ✓ Ensure the grinding wheel or cutting disc is perfectly sound and free from cracks or damage in any way.

⚠ After Every 50 Hours of use

After every 50 hours of use the motors' carbon brushes need to be checked and renewed if necessary. You will need a cross head screwdriver and a small flat head screwdriver. The brushes are changed as follows :

- 1 Unscrew the casing screw **(A)** and pull the casing away from the body by sliding casing down the power lead to give access to motor brushes.
- 2 Remove the brush assembly by unclipping with a flat head screwdriver. **(B)**
- 3 If the brush is worn (less than 6mm remains, see **(C)**) then replace the brush assembly by clipping a new one into place **(D)**. Replace the casing and secure with the casing screw taking care not to damage the lead.



Troubleshooting		
Problem	Possible Cause	Repair
Tool will not operate	<ol style="list-style-type: none"> 1. <i>No supply</i> 2. <i>Switch is faulty</i> 3. <i>Brushes badly worn</i> 4. <i>Fuse blown</i> 5. <i>Motor faulty</i> 	<ol style="list-style-type: none"> 1. Check supply and rectify where necessary. 2. Consult your Clarke dealer 3. Check and replace if necessary 4. Check and replace if necessary. If condition persists, consult your dealer 5. Consult your Clarke dealer.
Motor runs but disc does not turn	<ol style="list-style-type: none"> 1. <i>Flange nut not tight</i> 2. <i>Gear shaft or key broken</i> 	<ol style="list-style-type: none"> 1. Tighten flange nut 2. Consult your Clarke dealer
Heavy internal sparking Motor gets hot	<ol style="list-style-type: none"> 1. <i>Faulty motor</i> 2. <i>Badly worn brushes</i> <ol style="list-style-type: none"> 1. <i>Work load too heavy</i> 2. <i>Low supply voltage</i> 	<ol style="list-style-type: none"> 1. Consult your Clarke dealer 2. Renew brushes (see p.8) <ol style="list-style-type: none"> 1. Reduce force applied to tool 2. Ensure supply voltage is correct. If extension cable is used, ensure it is of the correct value, and is fully unreeled
Excessive vibration	<ol style="list-style-type: none"> 1. <i>Disc not mounted correctly or is damaged</i> 2. <i>Bearings worn</i> 	<ol style="list-style-type: none"> 1. Check and rectify 2. Consult your Clarke dealer

Parts and Service

For Spare Parts and Servicing, please contact your local dealer, or Clarke International on one of the following Numbers:

Parts and Service Tel: 020 89887400

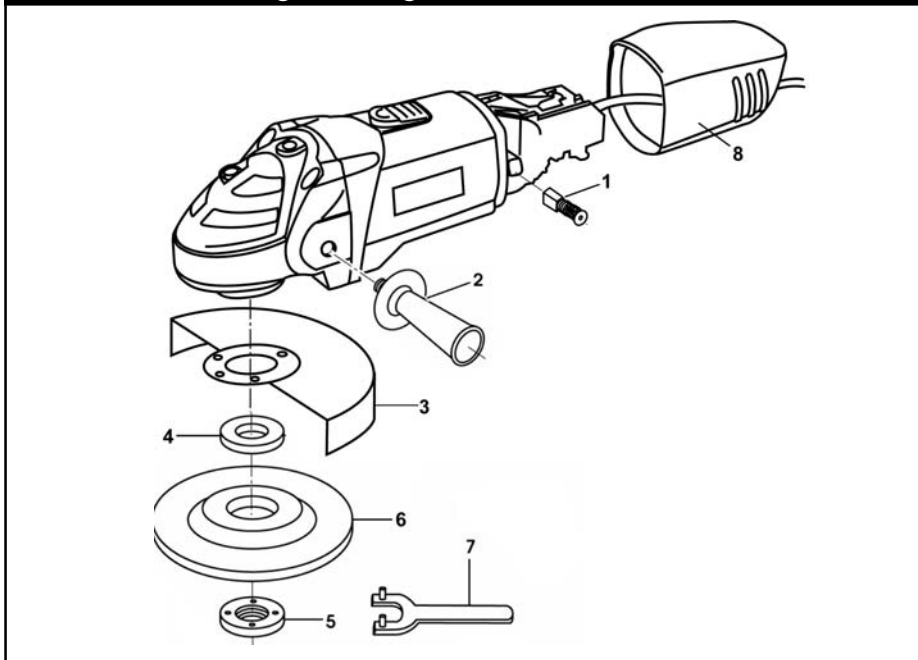
Parts and Service Fax: 020 85583622

or email as follows:

Parts: Parts@clarkeinternational.com

Service: Service@clarkeinternational.com

Spare Parts Diagram (Figure 3)



Spare Parts List

No.	Description	Part No.
1	Motor Brush	KP12201
2	Handle	KP12202
3	Wheel/Disk Guard	KP12203
4	Inner Flange	KP12204
5	Outer Flange	K{12205
6	Grinding Wheel / Cutting Disc	(See Clarke Accessories below)
7	Flange Tool	KP12207
8	Casing	KP12208

Recommended Grinding Wheels / Cutting Discs

Clarke Accessories

	Description	Part No.	Dia	Thickness
1	Metal Grinding (DPC)	6470705	115mm	6mm
2	Metal Cutting (DPC)	6470775	115mm	3mm
3	Masonry Cutting (DPC)	6470735	115mm	3mm

VIBRATION EMISSIONS

HAND-ARM VIBRATION

Employers are advised to refer to the HSE publication "Guide for Employers".

All hand held power tools vibrate to some extent, and this vibration is transmitted to the operator via the handle, or hand used to steady the tool. Vibration from about 2 to 1500 herz is potentially damaging and is most hazardous in the range from about 5 to 20 herz.

Operators who are regularly exposed to vibration may suffer from Hand Arm Vibration Syndrome (HAVS), which includes 'dead hand', 'dead finger', and 'white finger'. These are painful conditions and are widespread in industries where vibrating tools are used.

The health risk depends upon the vibration level and the length of time of exposure to it.....in effect, a daily vibration dose.

Tools are tested using specialised equipment, to approximate the vibration level generated under normal, acceptable operating conditions for the tool in question. For example, a grinder used at 45° on mild steel plate, or a sander on soft wood in a horizontal plane etc.

These tests produce a value 'a', expressed in metres per second per second, which represents the average vibration level of all tests taken, in three axes where necessary.

MODEL No:	CAG122
DESCRIPTION:	ANGLE GRINDER
Declared vibration emission value in accordance with EN12096	
Measured vibration emission value - a : 13.2 m/s ²	
Value determined according to EN28622-1	

'a' values in excess of 2.5 m/s² are considered hazardous when used for prolonged periods. A tool with a vibration value of 2.8 m/s² may be used for up to 8 hours (cumulative) per day, whereas a tool with a value of 11.2 m/s² may be used for ½ hour per day only.

The graph below shows the vibration value against the maximum time the respective tool may be used, per day.

It should be noted that if a tool is used under abnormal, or unusual conditions, then the vibration level could possibly increase significantly. Users must always take this into account and make their own risk assessment, using the graph above as a reference.

Some tools with a high vibration value, such as impact wrenches, are generally used for a few seconds at a time, therefore the cumulative time may only be in the order of a few minutes per day. Nevertheless, the cumulative effect, particularly when added to that of other hand held power tools that may be used, must always be taken into account when the total daily dose rate is determined.



DECLARATION OF CONFORMITY



Clarke[®]
INTERNATIONAL

Hemndall Street, Epping, Essex CM16 4LG

DECLARATION OF CONFORMITY

This is an important document and should be retained.

We hereby declare that this product(s) complies with the following directive(s):

2004/108/EC *Electromagnetic Compatibility Directive.*
2006/42/EC *Machinery Directive.*
2006/95/EC *Low Voltage Equipment Directive.*
2002/95/EC *Restriction of Hazardous substances.*

The following standards have been applied to the product(s):

EN 60745-1:2009, EN 60745-2-3:2007+A1:2009, EN 55014-1:2006, EN 55014-2:1997+A2:2001,
EN 61000-3-2:2006, EN 61000-3-3:1995+A1:2001+A2:2005.

The technical documentation required to demonstrate that the product(s) meet(s) the requirement(s) of the aforementioned directive(s) has been compiled and is available for inspection by the relevant enforcement authorities.

The CE mark was first applied in: 2007

Product Description: 4.5" Angle Grinder (900W)
Model number(s): CAG122
Serial / batch Number: N/A
Date of Issue: 04/01/2011

Signed:

J.A. Clarke
Director



NOTES



A SELECTION FROM THE VAST RANGE OF

Clarke®

QUALITY PRODUCTS

AIR COMPRESSORS

From DIY to industrial, Plus air tools, spray guns and accessories.

GENERATORS

Prime duty or emergency standby for business, home and leisure.

POWER WASHERS

Hot and cold, electric and engine driven - we have what you need

WELDERS

Mig, Arc, Tig and Spot. From DIY to auto/industrial.

METALWORKING

Drills, grinders and saws for DIY and professional use.

WOODWORKING

Saws, sanders, lathes, mortisers and dust extraction.

HYDRAULICS

Cranes, body repair kits, transmission jacks for all types of workshop use.

WATER PUMPS

Submersible, electric and engine driven for DIY, agriculture and industry.

POWER TOOLS

Angle grinders, cordless drill sets, saws and sanders.

STARTERS/CHARGERS

All sizes for car and commercial use.



PARTS & SERVICE: 0208 988 7400

E-mail: Parts@clarkeinternational.com or Service@clarkeinternational.com

SALES: UK 01992 565333 or Export 00 44 (0)1992 565335

Clarke INTERNATIONAL Hemnall Street, Epping, Essex CM16 4LG
www.clarkeinternational.com