

A SELECTION FROM THE VAST RANGE OF

Clarke

QUALITY PRODUCTS

AIR COMPRESSORS

From DIY to industrial. Plus an extra 50% extra and accessories.

GENERATORS

Power that is emergency ready for business, home and leisure.

POWER WASHERS

Hot and cold, electric and engine driven - see how and how much!

WELDERS

Mig, Arc, TIG and Spot. Plus extra 50% extra and accessories!

METALWORKING

Drill, grinder and more for DIY and professional use.

WOODWORKING

Saws, routers, planers, mortisers and more accessories!

HYDRAULICS

Cutting, lifting, more like that. From 10 to 20 tons of pressure!

WATER PUMPS

Submersible, electric and engine driven for DIY, agriculture and industry.

POWER TOOLS

Angle grinders, sanders and more. Also and more!

STARTER/CHARGERS

At 100% for all connections!



Clarke INTERNATIONAL

For spare parts and servicing, please contact your nearest dealer, or please telephone us

020 - 8968 - 7400

e-mail: Parts@clarkinternational.com e-mail: Service@clarkinternational.com

Clarke

INTERNATIONAL



Two Way Radio (Twin Pack)

Model: TR200



User Instructions

0703

A SELECTION FROM THE VAST RANGE OF

Clarke

QUALITY PRODUCTS

AIR COMPRESSORS

From DIY to industrial. Plus an extra 50% extra and accessories.

GENERATORS

Power that is emergency ready for business, home and leisure.

POWER WASHERS

Hot and cold, electric and engine driven - see how and how much!

WELDERS

Mig, Arc, TIG and Spot. Plus extra 50% extra and accessories!

METALWORKING

Drill, grinder and more for DIY and professional use.

WOODWORKING

Saws, routers, planers, mortisers and more accessories!

HYDRAULICS

Cutting, lifting, more like that. From 10 to 20 tons of pressure!

WATER PUMPS

Submersible, electric and engine driven for DIY, agriculture and industry.

POWER TOOLS

Angle grinders, sanders and more. Also and more!

STARTER/CHARGERS

At 100% for all connections!



Clarke INTERNATIONAL

For spare parts and servicing, please contact your nearest dealer, or please telephone us

020 - 8968 - 7400

e-mail: Parts@clarkinternational.com e-mail: Service@clarkinternational.com

Clarke

INTERNATIONAL



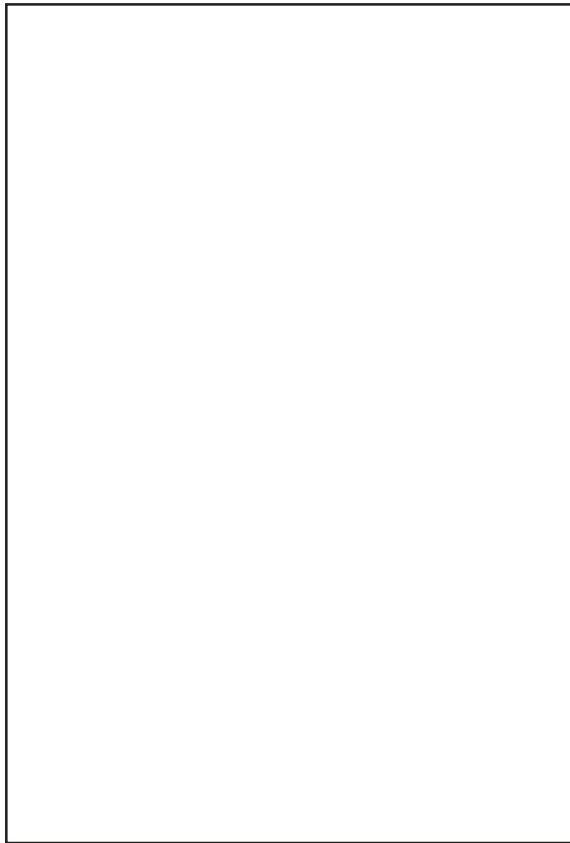
Two Way Radio (Twin Pack)

Model: TR200



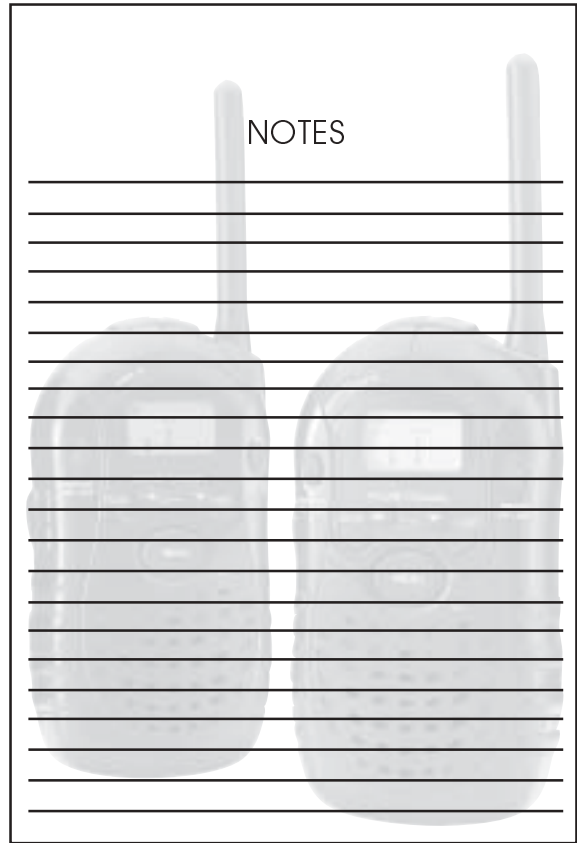
User Instructions

0703



Clarke

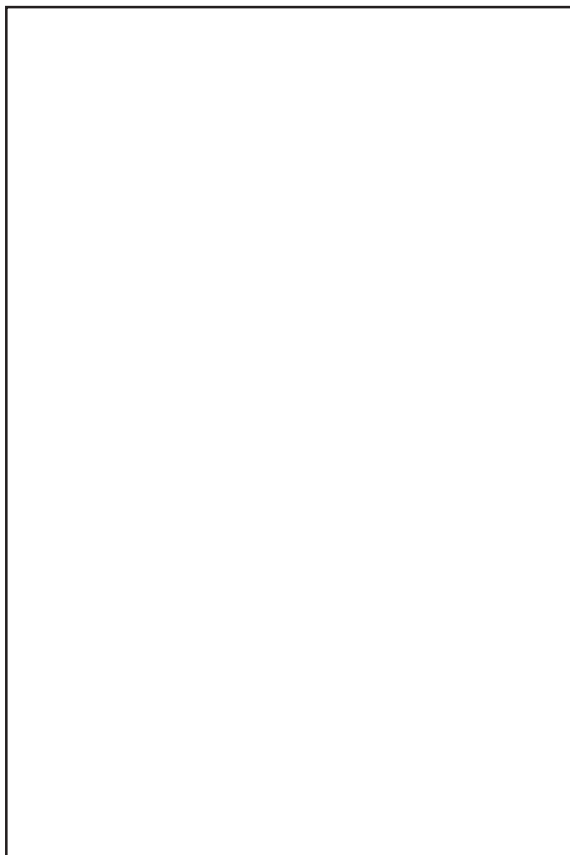
-1-



NOTES

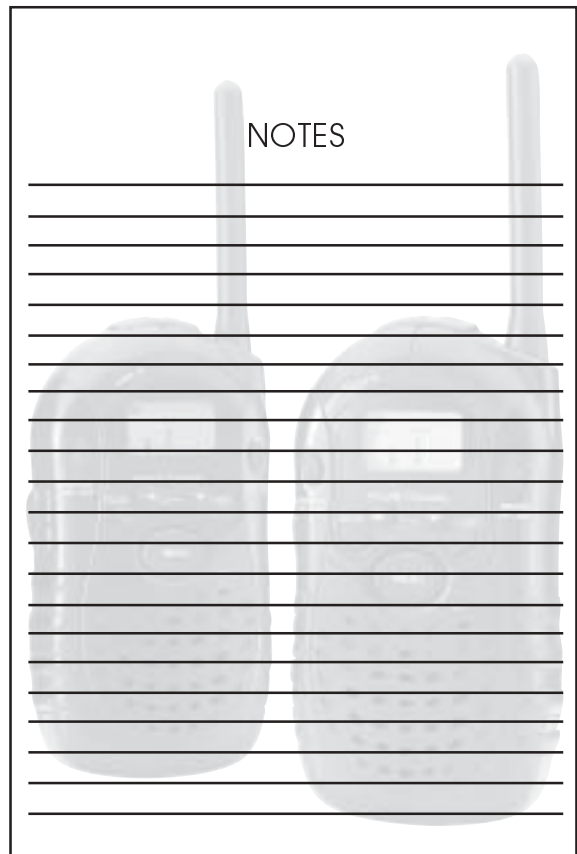
-14-

Clarke



Clarke

-1-



NOTES

-14-

Clarke

Recharging Batteries

To enable recharging, an accessory pack is required, containing a charging adaptor, rechargeable battery, and also a hands free kit. This accessory pack can be purchased from your nearest Clarke International dealer, (Part Number 4560701).

1. Turn radio OFF.
2. Expose charging jack on top of radio by opening the rubber protection cover.
3. Insert the charger plug into the charging jack (use ONLY the 7.5, 100ma adaptor.
4. Plug the adaptor into a standard 13amp household socket and switch on. The battery icon will show the charging status.
5. Batteries will be fully charged after 15 hours has elapsed.
6. When the batteries are fully charged, disconnect from the power supply, by switching Off and removing the adaptor from the electrical socket.
7. Remove the charger plug from the charger jack and close the protection cover.



NOTE :

1. The radio cannot receive or transmit when charging is taking place.
2. DONOT attempt to recharge Alkaline batteries.
3. DONOT attempt to use any other charging adaptor, other than the one purchased from Clarke International.
4. During charging, the radio and the charging adaptor will get warm, this is normal and does not indicate a fault.

Clarke
INTERNATIONAL

Clarke

-13-

Clarke
INTERNATIONAL

Thank you for purchasing these **CLARKE** Two Way Radios.

Before using your new two way radios, please read this manual thoroughly and follow all instructions carefully. This is for your own safety and that of others around you, and is also to help achieve a long and trouble free service from your new two way radios.

Two way radios are ideal for many indoor and outdoor pursuits.

CLARKE GUARANTEE

This CLARKE product is guaranteed against faulty manufacture for a period of 12 months from the date of purchase. Please keep your receipt as proof of purchase.

This guarantee is invalid if the product is found to have been abused or tampered with in any way, or not used for the purpose for which it was intended.

Faulty goods should be returned to their place of purchase, no product can be returned to us without prior permission.

This guarantee does not effect your statutory rights.

Please note that the details and specifications contained herein are correct at the time of going to print. However CLARKE International reserve the right to change specifications at any time without prior notice.

-2-

Clarke

Recharging Batteries

To enable recharging, an accessory pack is required, containing a charging adaptor, rechargeable battery, and also a hands free kit. This accessory pack can be purchased from your nearest Clarke International dealer, (Part Number 4560701).

1. Turn radio OFF.
2. Expose charging jack on top of radio by opening the rubber protection cover.
3. Insert the charger plug into the charging jack (use ONLY the 7.5, 100ma adaptor.
4. Plug the adaptor into a standard 13amp household socket and switch on. The battery icon will show the charging status.
5. Batteries will be fully charged after 15 hours has elapsed.
6. When the batteries are fully charged, disconnect from the power supply, by switching Off and removing the adaptor from the electrical socket.
7. Remove the charger plug from the charger jack and close the protection cover.



NOTE :

1. The radio cannot receive or transmit when charging is taking place.
2. DONOT attempt to recharge Alkaline batteries.
3. DONOT attempt to use any other charging adaptor, other than the one purchased from Clarke International.
4. During charging, the radio and the charging adaptor will get warm, this is normal and does not indicate a fault.

Clarke
INTERNATIONAL

Clarke

-13-

Clarke
INTERNATIONAL

Thank you for purchasing these **CLARKE** Two Way Radios.

Before using your new two way radios, please read this manual thoroughly and follow all instructions carefully. This is for your own safety and that of others around you, and is also to help achieve a long and trouble free service from your new two way radios.

Two way radios are ideal for many indoor and outdoor pursuits.

CLARKE GUARANTEE

This CLARKE product is guaranteed against faulty manufacture for a period of 12 months from the date of purchase. Please keep your receipt as proof of purchase.

This guarantee is invalid if the product is found to have been abused or tampered with in any way, or not used for the purpose for which it was intended.

Faulty goods should be returned to their place of purchase, no product can be returned to us without prior permission.

This guarantee does not effect your statutory rights.

Please note that the details and specifications contained herein are correct at the time of going to print. However CLARKE International reserve the right to change specifications at any time without prior notice.

-2-

Clarke

Specifications

Model : TR200
 Part No : 4560700
 Size : 57x166x44mm
 Weight : 0.128Kg

- 8 Channels with channel scan function
- Up to 2 miles range
- VOX function for hands free conversation and monitoring
- LCD with backlight
- 5 call tones
- Power saving auto switch off
- Battery level indicator
- Keypad lock
- Headphone/microphone jack (2.5mm 3 pole)
- Requires 8 x AAA batteries - 4 per radio (not supplied)
- Removable belt clip

TECHNICAL INFORMATION

This product is designed for the UK market only. Using this product abroad may violate local radio laws.

The range of the radios will very much depend on where they are used. If used in a large open area, the range may exceed 2 miles. Alternatively, if used in a built up area the range could be less than 2 miles.

If the height of the radio is increased, i.e. on a 2nd floor level, the useable range will also be increased.

To prevent distortion when transmitting, always ensure the radio is held at least 3 inches away from your mouth. Also speak clearly and keep your voice at a constant level.

This product conforms to European Directive 1999/5/EC, class PMR 446

If SCAN function is activated, the RF receive section will not have power saving and will continue to scan for channel activity. At this moment, the Power Saving indicator will not be displayed.

MENU Scrolling Sequence

```

    graph TD
      A[Normal Operating Mode] --> B[Channel Selection Menu]
      B --> C[Call-Ring Selection Menu]
      C --> D[VOX Selection Menu]
      D --> E[Roger Beep tone Selection Menu]
      E --> F[Auto Power OFF Setting Menu]
      F --> A
  
```

Specifications

Model : TR200
 Part No : 4560700
 Size : 57x166x44mm
 Weight : 0.128Kg

- 8 Channels with channel scan function
- Up to 2 miles range
- VOX function for hands free conversation and monitoring
- LCD with backlight
- 5 call tones
- Power saving auto switch off
- Battery level indicator
- Keypad lock
- Headphone/microphone jack (2.5mm 3 pole)
- Requires 8 x AAA batteries - 4 per radio (not supplied)
- Removable belt clip

TECHNICAL INFORMATION

This product is designed for the UK market only. Using this product abroad may violate local radio laws.

The range of the radios will very much depend on where they are used. If used in a large open area, the range may exceed 2 miles. Alternatively, if used in a built up area the range could be less than 2 miles.

If the height of the radio is increased, i.e. on a 2nd floor level, the useable range will also be increased.

To prevent distortion when transmitting, always ensure the radio is held at least 3 inches away from your mouth. Also speak clearly and keep your voice at a constant level.

This product conforms to European Directive 1999/5/EC, class PMR 446

If SCAN function is activated, the RF receive section will not have power saving and will continue to scan for channel activity. At this moment, the Power Saving indicator will not be displayed.

MENU Scrolling Sequence

```

    graph TD
      A[Normal Operating Mode] --> B[Channel Selection Menu]
      B --> C[Call-Ring Selection Menu]
      C --> D[VOX Selection Menu]
      D --> E[Roger Beep tone Selection Menu]
      E --> F[Auto Power OFF Setting Menu]
      F --> A
  
```

Battery METER indicator

The radio detects three levels of battery status. High, Medium and Low Level. If the battery is at Low Level, the battery Low indication will flash. At this point, it is necessary to remove and replace the batteries.

When the battery is at Low level, the battery meter icon will blink at an interval of 0.5 seconds.

During this condition, an audible warning will be emitted:

- For 3 seconds after turning the power ON.
- Every 5 seconds in stand-by mode.
- After releasing the [PTT] button.



Hands free function

To operate your radio using the hands free option, you will require a hands free kit (see page 13, recharging batteries). Alternatively a hands free kit can be purchased locally from most electrical retailers (jackplug 2.5mm 3 pole), mobile phone hands free kits are not compatible.

The radio has an auxiliary Earphone/Microphone jack point on the top of the handset.

To use this feature, insert the plug of the hands free accessory, into the jack point. The radio speaker and microphone will be disabled and replaced by the earphone/microphone.

With the hands free kit connected, you may want to transmit in VOX mode (see page 8). If you find this not working too well, you can turn the VOX sensitivity to 0 (OFF) and press [PTT] to transmit as normal.

LCD Backlight

Whenever a button is pressed (except [PTT] button), the backlight will illuminate for 5 seconds.

Power Saving

At normal operating mode (stand-by to receive), the Power Saving feature will put the radio's RF section in an ON/OFF duty cycle to save battery power. The Power Saving indicator will be displayed. ON/OFF duration is approx 120ms ON and 480ms OFF.



Clarke

-11-

Safety

ALWAYS observe local radio laws, especially if using your radios abroad.

ALWAYS ensure your radio is turned OFF when in or near a petrol filling station.

ALWAYS ensure your radio is turned OFF when in or near a hospital.

ALWAYS use hands free, if using your radio when driving or riding a bicycle/motorbike. (see Hands free function on page 11). **Follow the highway code.**

NEVER use your radio when travelling by air.

Channel Frequency Chart

Channel	Frequency (MHz)	Channel	Frequency (MHz)
1	446.00625	5	446.05625
2	446.01875	6	446.06875
3	446.03125	7	446.08125
4	446.04375	8	446.09375

Clarke
INTERNATIONAL

-4-

Clarke

Battery METER indicator

The radio detects three levels of battery status. High, Medium and Low Level. If the battery is at Low Level, the battery Low indication will flash. At this point, it is necessary to remove and replace the batteries.

When the battery is at Low level, the battery meter icon will blink at an interval of 0.5 seconds.

During this condition, an audible warning will be emitted:

- For 3 seconds after turning the power ON.
- Every 5 seconds in stand-by mode.
- After releasing the [PTT] button.



Hands free function

To operate your radio using the hands free option, you will require a hands free kit (see page 13, recharging batteries). Alternatively a hands free kit can be purchased locally from most electrical retailers (jackplug 2.5mm 3 pole), mobile phone hands free kits are not compatible.

The radio has an auxiliary Earphone/Microphone jack point on the top of the handset.

To use this feature, insert the plug of the hands free accessory, into the jack point. The radio speaker and microphone will be disabled and replaced by the earphone/microphone.

With the hands free kit connected, you may want to transmit in VOX mode (see page 8). If you find this not working too well, you can turn the VOX sensitivity to 0 (OFF) and press [PTT] to transmit as normal.

LCD Backlight

Whenever a button is pressed (except [PTT] button), the backlight will illuminate for 5 seconds.

Power Saving

At normal operating mode (stand-by to receive), the Power Saving feature will put the radio's RF section in an ON/OFF duty cycle to save battery power. The Power Saving indicator will be displayed. ON/OFF duration is approx 120ms ON and 480ms OFF.



Clarke

-11-

Safety

ALWAYS observe local radio laws, especially if using your radios abroad.

ALWAYS ensure your radio is turned OFF when in or near a petrol filling station.

ALWAYS ensure your radio is turned OFF when in or near a hospital.

ALWAYS use hands free, if using your radio when driving or riding a bicycle/motorbike. (see Hands free function on page 11). **Follow the highway code.**

NEVER use your radio when travelling by air.

Channel Frequency Chart

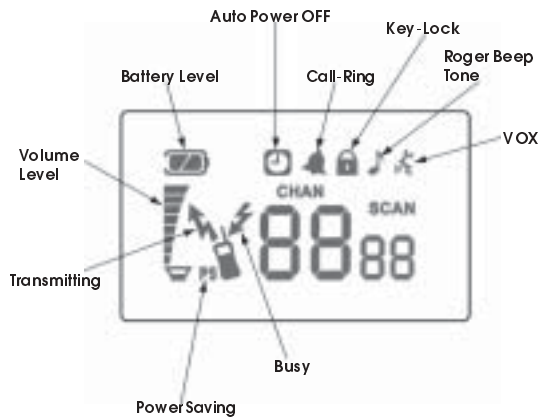
Channel	Frequency (MHz)	Channel	Frequency (MHz)
1	446.00625	5	446.05625
2	446.01875	6	446.06875
3	446.03125	7	446.08125
4	446.04375	8	446.09375

Clarke
INTERNATIONAL

-4-

Clarke

Display Indicators



Clarke
INTERNATIONAL

Clarke

-5-

If **[PTT]** is pressed to transmit, the **[▲]** button will be temporarily enabled for you to activate the Call-Ring.

To activate the LOCK feature :

- Press and hold **[LOCK]** for one second, the LOCK indicator will be displayed.



To disable the LOCK feature :

- Press and hold **[LOCK]** again for one second, the lock indicator will no longer be displayed.

Scan

Scan allows you to monitor channels of other transmitting radios. When the radio detects channel activity, it stops scanning and locks in on the active channel. It allows you to listen and talk back to the other users without switching channels.



To activate the SCAN function :

- From the normal operating mode, press **[SCAN]** button. The SCAN indicator will be displayed.

When the radio detects activity, the radio will lock onto the active channel. The SCAN indicator will be displayed and the LCD will indicate the active channel number.

Press **[PTT]** to talk to the scanned speaker on the active channel.

When the radio detects channel activity, it stops scanning and locks onto the active channel for two seconds.

To deactivate the SCAN function :

- Pressing the **[MENU]** or **[SCAN]** button for one second will deactivate the SCAN function and return to the normal operating mode with the radio at the pre selected channel.

NOTE : The **[MONITOR]**, **[PTT]** and **[LOCK]** buttons will be temporarily disabled during scanning.

Busy Indicator (RSSI indicator)

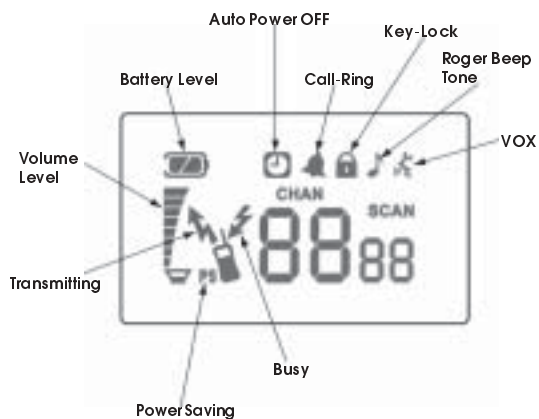
At the normal operating mode, the BUSY indicator will be displayed when the radio detects incoming signals.



-10-

Clarke

Display Indicators



Clarke
INTERNATIONAL

Clarke

-5-

If **[PTT]** is pressed to transmit, the **[▲]** button will be temporarily enabled for you to activate the Call-Ring.

To activate the LOCK feature :

- Press and hold **[LOCK]** for one second, the LOCK indicator will be displayed.



To disable the LOCK feature :

- Press and hold **[LOCK]** again for one second, the lock indicator will no longer be displayed.

Scan

Scan allows you to monitor channels of other transmitting radios. When the radio detects channel activity, it stops scanning and locks in on the active channel. It allows you to listen and talk back to the other users without switching channels.



To activate the SCAN function :

- From the normal operating mode, press **[SCAN]** button. The SCAN indicator will be displayed.

When the radio detects activity, the radio will lock onto the active channel. The SCAN indicator will be displayed and the LCD will indicate the active channel number.

Press **[PTT]** to talk to the scanned speaker on the active channel.

When the radio detects channel activity, it stops scanning and locks onto the active channel for two seconds.

To deactivate the SCAN function :

- Pressing the **[MENU]** or **[SCAN]** button for one second will deactivate the SCAN function and return to the normal operating mode with the radio at the pre selected channel.

NOTE : The **[MONITOR]**, **[PTT]** and **[LOCK]** buttons will be temporarily disabled during scanning.

Busy Indicator (RSSI indicator)

At the normal operating mode, the BUSY indicator will be displayed when the radio detects incoming signals.



-10-

Clarke

Auto Power OFF

Your radio can be programmed to automatically turn off after a pre-selected period of inactivity. This feature prevents unnecessary battery usage.

To enable the Auto Power OFF feature:

1. From the normal operating mode, press **[MENU]** button five times to enter the Auto Power OFF selection menu.
2. Use the **[▲]** or **[▼]** buttons to change the power OFF time setting (from 0 to 3 hours, 0 selected means no auto power OFF).
3. The radio will return to the normal operating mode after 10 seconds or when the **[PTT]** button is pressed or the **[MENU]** button is pressed several times.



If no buttons are pressed during the selected time interval, a unique audible tone will sound one minute prior to automatically switching OFF.

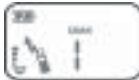
Receive Monitor

From the normal operating mode, press **[MONITOR]** for one second to turn OFF the auto-squelch to hear signals on the current channel. Press **[MONITOR]** again for one second to turn ON the auto-squelch function.

NOTE: The **[LOCK]** buttons will be temporarily disabled whilst using the monitor ON function.

Sending Messages (TALK)

1. From the normal operating mode, press **[PTT]** button and speak into the radio microphone. The TRANSMIT indicator will be displayed continuously while transmitting.
2. To receive messages, release the **[PTT]** button.



Key Lock

The lock function allows you to disable the **[▲]**, **[▼]**, **[SCAN]**, **[MONITOR]**, **[POWER]** and **[MENU]** buttons so that settings cannot be changed accidentally. **[PTT]** and **[LOCK]** remain functional.

If any of the locked buttons are pressed, the lock indicator will flash to alert the user that the key lock function is ON.

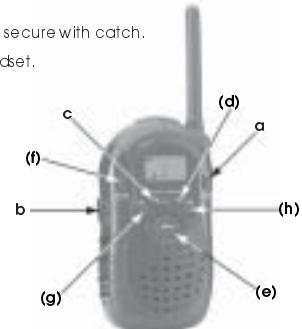
Operation

Installing Batteries

1. Gently prize open the catch on the back of the handset.
2. Remove the cover.
3. Install batteries, observing the correct polarity (refer to diag inside the handset), failure to comply could result in permanent damage to the handset.
4. Refit the back cover and secure with catch.
5. Repeat for the other handset.

OPERATION BUTTONS :

- (a) POWER ON/OFF
- (b) PTT (Press To Talk)
- (c) ▲ [UP]
- (d) ▼ [DOWN]
- (e) MENU
- (f) MONITOR
- (g) SCAN
- (h) LOCK



Features And Operating Procedures

Turn the handsets ON and OFF

1. Press and hold the power ON/OFF button. The LCD (liquid crystal display) will appear (all segments will turn on for 1 second).
2. The LCD will show the current channel selected.
3. To turn the handsets OFF, press and hold the power ON/OFF button, until an audible beep is heard and the LCD clears.



Adjusting the volume

1. Holding the **[▲]** or **[▼]** increases and decreases the volume.

Auto Power OFF

Your radio can be programmed to automatically turn off after a pre-selected period of inactivity. This feature prevents unnecessary battery usage.

To enable the Auto Power OFF feature:

1. From the normal operating mode, press **[MENU]** button five times to enter the Auto Power OFF selection menu.
2. Use the **[▲]** or **[▼]** buttons to change the power OFF time setting (from 0 to 3 hours, 0 selected means no auto power OFF).
3. The radio will return to the normal operating mode after 10 seconds or when the **[PTT]** button is pressed or the **[MENU]** button is pressed several times.



If no buttons are pressed during the selected time interval, a unique audible tone will sound one minute prior to automatically switching OFF.

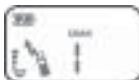
Receive Monitor

From the normal operating mode, press **[MONITOR]** for one second to turn OFF the auto-squelch to hear signals on the current channel. Press **[MONITOR]** again for one second to turn ON the auto-squelch function.

NOTE: The **[LOCK]** buttons will be temporarily disabled whilst using the monitor ON function.

Sending Messages (TALK)

1. From the normal operating mode, press **[PTT]** button and speak into the radio microphone. The TRANSMIT indicator will be displayed continuously while transmitting.
2. To receive messages, release the **[PTT]** button.



Key Lock

The lock function allows you to disable the **[▲]**, **[▼]**, **[SCAN]**, **[MONITOR]**, **[POWER]** and **[MENU]** buttons so that settings cannot be changed accidentally. **[PTT]** and **[LOCK]** remain functional.

If any of the locked buttons are pressed, the lock indicator will flash to alert the user that the key lock function is ON.

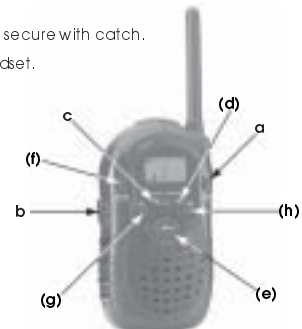
Operation

Installing Batteries

1. Gently prize open the catch on the back of the handset.
2. Remove the cover.
3. Install batteries, observing the correct polarity (refer to diag inside the handset), failure to comply could result in permanent damage to the handset.
4. Refit the back cover and secure with catch.
5. Repeat for the other handset.

OPERATION BUTTONS :

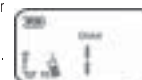
- (a) POWER ON/OFF
- (b) PTT (Press To Talk)
- (c) ▲ [UP]
- (d) ▼ [DOWN]
- (e) MENU
- (f) MONITOR
- (g) SCAN
- (h) LOCK



Features And Operating Procedures

Turn the handsets ON and OFF

1. Press and hold the power ON/OFF button. The LCD (liquid crystal display) will appear (all segments will turn on for 1 second).
2. The LCD will show the current channel selected.
3. To turn the handsets OFF, press and hold the power ON/OFF button, until an audible beep is heard and the LCD clears.



Adjusting the volume

1. Holding the **[▲]** or **[▼]** increases and decreases the volume.

- The radio will beep to indicate the volume changing.
- Press and release the **[▲]** or **[▼]** buttons, the volume will increase and decrease one increment at a time until the required volume is reached.



Key Tones

- The Key tones (press any key, except the **[PTT]** button) on the radio are at a fixed level and are not affected by changing the radio's volume (i.e. key tone must be set at volume level 4).
- The **[PTT]** button does not have a key tone.
- If the speaker is enabled, there will be no key tone for **[▲]** and **[▼]** keys.

Channel Selection

- From the normal operating mode, press **[MENU]** button once to enter the channel selection menu. The CHAN indicator will begin to flash and the radio's current channel will be displayed.
- Use the **[▲]** or **[▼]** buttons to select a new channel (1-8) while the CHAN indicator is flashing.
- The radio will return to the normal operating mode after 10 seconds or when the **[PTT]** button is pressed or the **[MENU]** button is pressed several times.



Changing Call Ring-tone

- From the normal operating mode, press **[MENU]** button twice to enter the Call-Ring selection menu. The CALL indicator will appear and the current Call-Ring number will be displayed (1-5).
- Use the **[▲]** or **[▼]** buttons to select a new Call-Ring tone. The new tone can be heard as the selection is changed.
- The radio will return to the normal operating mode after 10 seconds or when the **[PTT]** button is pressed or the **[MENU]** button is pressed several times.



Sending Messages (Call-Ring tone)

- If **[▲]** & **[PTT]** buttons are pressed at the same time, the radio will send out the selected Call-Ring tone with microphone muted.
- The Call-Ring tone indicator will be displayed continuously when transmitting.
- The Call-Ring tone can be heard at the radio's speaker, at volume level 4.



Setting VOX function

- From the normal operating mode, press **[MENU]** button three times to enter the VOX selection menu. The VOX indicator will be displayed showing the current VOX sensitivity level (0-2).
- Use the **[▲]** or **[▼]** buttons to change the VOX sensitivity level.
- The radio will return to the normal operating mode after 10 seconds or when the **[PTT]** button is pressed or the **[MENU]** button is pressed several times.



Setting the Roger Beep tone

The Roger Beep is a tone which is automatically transmitted whenever the **[PTT]** button is released. This tone alerts the receiving party that the transmission has been terminated intentionally.

To enable the Roger Beep tone:

- From the normal operating mode, press **[MENU]** button four times to enter the Roger Beep selection menu. The display will indicate the current level (ON or OFF).
- Press the **[▲]** button to select ON or press **[▼]** button to select OFF as desired.
- The radio will return to the normal operating mode after 10 seconds or when the **[PTT]** button is pressed, or the **[MENU]** button is pressed several times.



When Roger Beep tone is enabled, the tone icon [.] will be displayed.

- The radio will beep to indicate the volume changing.
- Press and release the **[▲]** or **[▼]** buttons, the volume will increase and decrease one increment at a time until the required volume is reached.



Key Tones

- The Key tones (press any key, except the **[PTT]** button) on the radio are at a fixed level and are not affected by changing the radio's volume (i.e. key tone must be set at volume level 4).
- The **[PTT]** button does not have a key tone.
- If the speaker is enabled, there will be no key tone for **[▲]** and **[▼]** keys.

Channel Selection

- From the normal operating mode, press **[MENU]** button once to enter the channel selection menu. The CHAN indicator will begin to flash and the radio's current channel will be displayed.
- Use the **[▲]** or **[▼]** buttons to select a new channel (1-8) while the CHAN indicator is flashing.
- The radio will return to the normal operating mode after 10 seconds or when the **[PTT]** button is pressed or the **[MENU]** button is pressed several times.



Changing Call Ring-tone

- From the normal operating mode, press **[MENU]** button twice to enter the Call-Ring selection menu. The CALL indicator will appear and the current Call-Ring number will be displayed (1-5).
- Use the **[▲]** or **[▼]** buttons to select a new Call-Ring tone. The new tone can be heard as the selection is changed.
- The radio will return to the normal operating mode after 10 seconds or when the **[PTT]** button is pressed or the **[MENU]** button is pressed several times.



Sending Messages (Call-Ring tone)

- If **[▲]** & **[PTT]** buttons are pressed at the same time, the radio will send out the selected Call-Ring tone with microphone muted.
- The Call-Ring tone indicator will be displayed continuously when transmitting.
- The Call-Ring tone can be heard at the radio's speaker, at volume level 4.



Setting VOX function

- From the normal operating mode, press **[MENU]** button three times to enter the VOX selection menu. The VOX indicator will be displayed showing the current VOX sensitivity level (0-2).
- Use the **[▲]** or **[▼]** buttons to change the VOX sensitivity level.
- The radio will return to the normal operating mode after 10 seconds or when the **[PTT]** button is pressed or the **[MENU]** button is pressed several times.



Setting the Roger Beep tone

The Roger Beep is a tone which is automatically transmitted whenever the **[PTT]** button is released. This tone alerts the receiving party that the transmission has been terminated intentionally.

To enable the Roger Beep tone:

- From the normal operating mode, press **[MENU]** button four times to enter the Roger Beep selection menu. The display will indicate the current level (ON or OFF).
- Press the **[▲]** button to select ON or press **[▼]** button to select OFF as desired.
- The radio will return to the normal operating mode after 10 seconds or when the **[PTT]** button is pressed, or the **[MENU]** button is pressed several times.



When Roger Beep tone is enabled, the tone icon [.] will be displayed.