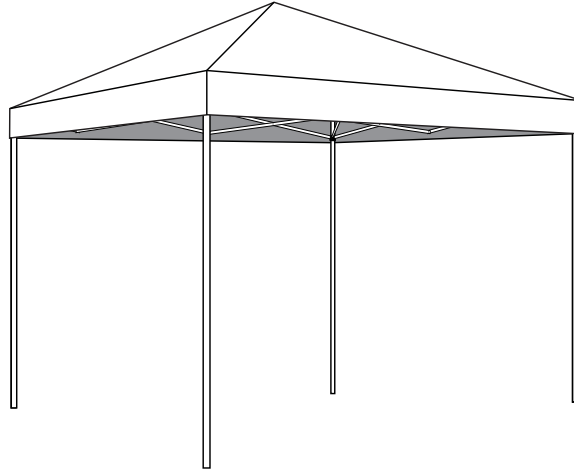


10' x 10' / 3 x 3m Pop-Up Canopy



DESCRIPTION	MODEL N°
Pop-Up Canopy 10' x 10' - Straight Leg - White	PUC 1010 3503512

RECOMMENDED TOOLS



Please read instructions **COMPLETELY** before assembly. This shelter **MUST** be securely anchored.
Before you start: 2 or more individuals recommended for assembly, approximate time 15 min.

Clarke®

Clarke International
Hemnal Street
Epping
Essex CM16 4LG
ENGLAND
www.clarkeinternational.com

PARTS & SERVICE: 0208 988 7400
E-mail: Parts@clarkeinternational.com or
Service@clarkeinternational.com

SALES: UK 01992 565333 or
EXPORT: 00 44 (0)1992 565335



Please read instructions COMPLETELY before assembly.

ATTENTION:

The canopy is primarily for seasonal shade. It is not snow or wind load rated and not recommended as a permanent structure. The canopy must be properly and securely anchored.

WARNING:

Use CAUTION when assembling this unit. Be aware of unsecured overhead poles. **It is not designed to hold loads from high winds or heavy snow.**

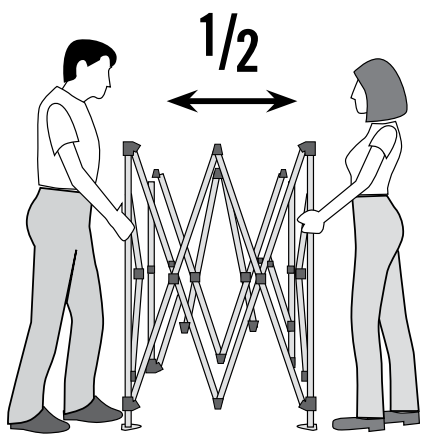
CAUTION:

Prior to installation, consult your local authority regarding the installation of temporary shelters. Choose the location of your shelter carefully. Check for overhead utility lines, tree branches or other structures. DO NOT install near roof lines or other structures that could shed snow, ice or excessive run off onto your shelter. DO NOT hang objects from the roof or support cables. Do not smoke or use open flame devices in or around the shelter. DO NOT store flammable liquids (gasoline, kerosene, propane, etc.) in your shelter. Do not expose top or sides of the shelter to open fire or other flame source. DO NOT use grills, fire pits, deep fryers or smokers inside the shelter. DO NOT use hard-edged tools or instruments like rakes or shovels to remove snow. This could result in punctures to the cover.

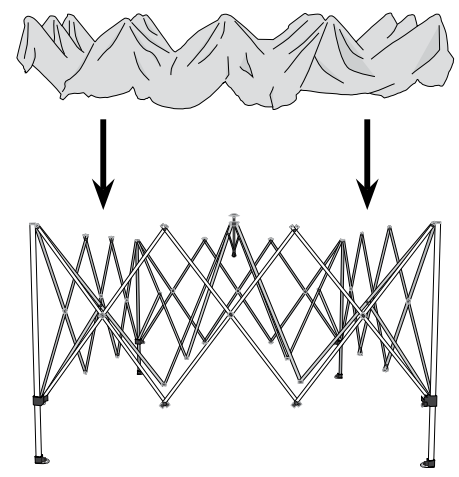
CARE AND CLEANING:

A tight cover will ensure longer life and performance. Always maintain a tight cover. Loose fabric can accelerate deterioration of cover. DO NOT use "Protect and Shine", bleach or harsh abrasive products to clean the fabric cover. Cover can be easily cleaned with mild soap and water.

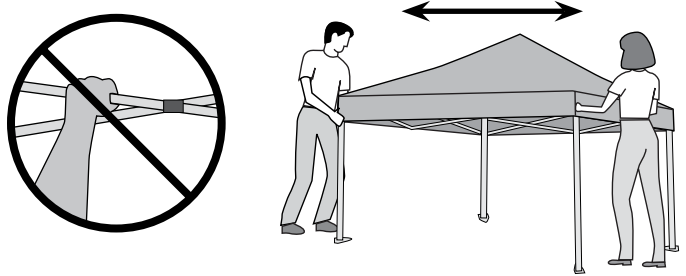
1



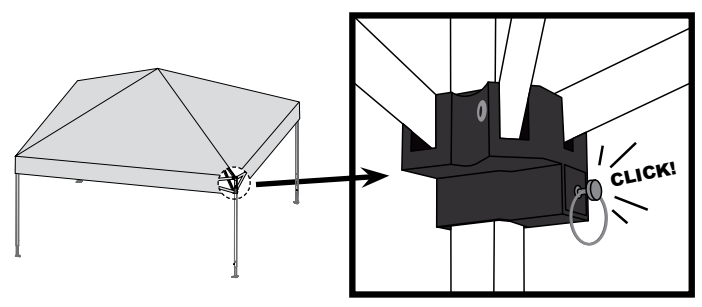
2



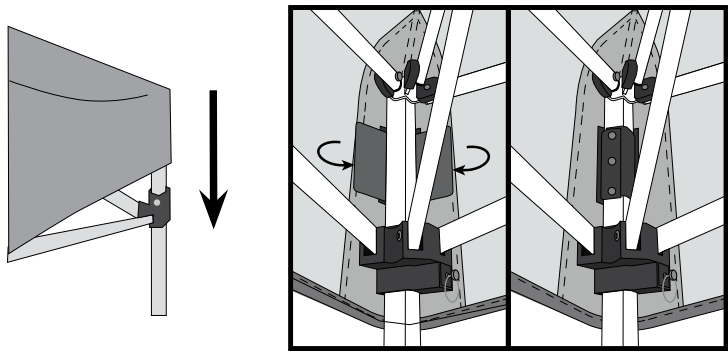
3



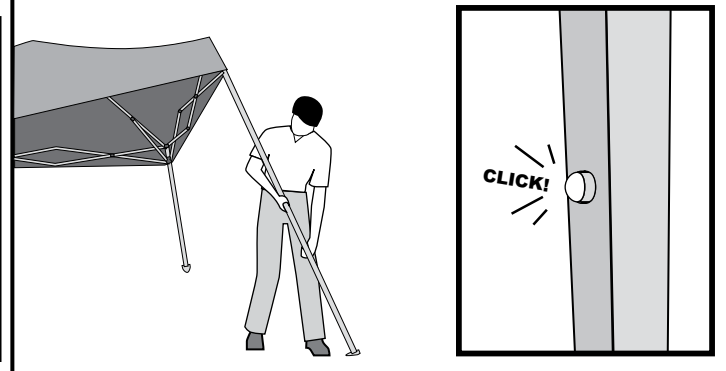
4



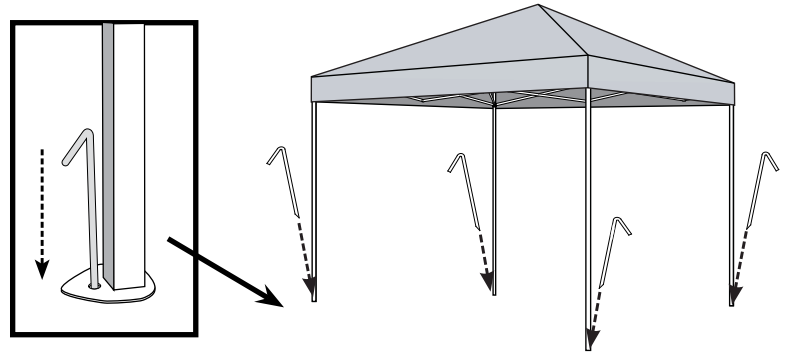
5



6



7



NOTE: Replacement anchors are available from our spare parts department. Please quote Part No. 18166

OTHER QUALITY LEISURE & GARDENING PRODUCTS AVAILABLE FROM

Clarke®



LOGBUSTERS

BANQUETING TABLES

BBQ's

PORTABLE GENERATORS

GARDEN TROLLEYS

BINOCULARS

LED HEADLIGHTS / FLASHLIGHTS

HOT & COLD POWER WASHERS

TARPAULINS • INSECT KILLERS

CAR COVERS

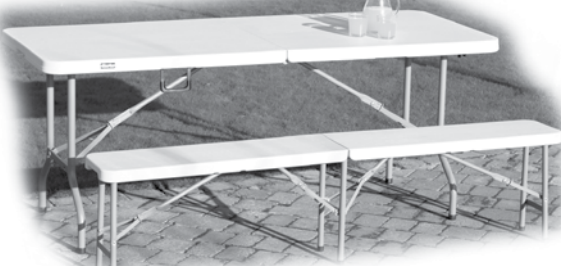
INVERTERS

JUMP STARTS

FOOT PUMPS • FANS

LADDERS

AND MUCH MORE!



PARTS & SERVICE: 0208 988 7400

E-mail: Parts@clarkeinternational.com or Service@clarkeinternational.com

SALES: UK 01992 565333 or EXPORT: 00 44 (0)1992 565335

Clarke® INTERNATIONAL Hemnall Street, Epping, Essex CM16 4LG
www.clarkeinternational.com