

A SELECTION FROM THE VAST RANGE OF

ClarkeTM

QUALITY PRODUCTS

AIR COMPRESSORS

From DIY to industrial. Plus air tools, spray guns and accessories.

GENERATORS

Prime duty or emergency standby for business, home and leisure.

POWER WASHERS

Hot and cold, electric and engine driven - we have what you need.

WELDERS

Mig, Arc, Tig and Spot. From DIY to auto/industrial.

METALWORKING

Drills, grinders and saws for DIY and professional use.

WOODWORKING

Saws, sanders, lathes, mortisers and dust extraction.

HYDRAULICS

Cranes, body repair kits, transmission jacks for all types of workshop use.

WATER PUMPS

Submersible, electric and engine driven for DIY, agriculture and industry.

POWER TOOLS

Angle grinders, cordless drill sets, saws and sanders.

STARTER/CHARGERS

All sizes for car & commercial use.



Clarke INTERNATIONAL

For spare parts and servicing, please contact your nearest dealer, or Clarke International on

020 - 8988 - 7400

e-mail: Parts@clarkeinternational.com e-mail: Service@clarkeinternational.com

ClarkeTM



PUMP SPRAY OUTFIT

Model Nos:

CSK2 • CSK6 • CSK10 • CSK15 • CSK20

OPERATING INSTRUCTIONS



Thank you for purchasing this CLARKE Pump Spray outfit, designed for use with insecticides or other water based products ONLY. NEVER use with flammable liquids.

Please read this leaflet thoroughly to ensure you assemble the unit correctly and in order that it may be operated in the most efficient manner

Guarantee

This product is guaranteed against faults in manufacture for 12 months from purchase date. Please keep your receipt as proof of purchase.

This guarantee is invalid if the product has been abused or tampered with in any way, or not used for the purpose for which it is intended. The reason for return must be clearly stated.

This guarantee does not affect your statutory rights.

Assembly

Unpack your sprayer and ensure all components are present and that no damage has occurred in transit. Any damage or deficiency should be reported to your Clarke dealer immediately.

1. CSK2

This model is fully assembled and ready for use.

2. CSK6

- A.** Push the hose firmly on to the outlet connection, and secure using the spring clip provided.
- B.** Screw the extension on to the end of the gun.
Ensure the nozzle on the end of the extension is screwed firmly in place.
- C.** Attach the shoulder strap to the two lugs provided.



SPARE PARTS

CSK2

No.	Description	Part No.
1	Upper Lid w/Pump	VCSK201
2	Lower Lid w/Cylinder	VCSK202
3	Operating Lever	VCSK203
4	Spring	VCSK204
5	Quadrant	VCSK205
6	Tube w/Filter	VCSK206
7	Spring	VCSK207
8	Plunger	VCSK208
9	Collar	VCSK209
10	End Cap	VCSK210
11	Nozzle	VCSK211
12	Retainer	VCSK212
-	Container	VCSK213

CSK6

No.	Description	Part No.
1	Relief Valve	VCSK601
2	Air Outlet	VCSK602
3	Tube	VCSK603
4	Gun	VCSK604
5	Filter	VCSK605
6	Spring Clip	VCSK606
7	Pump Assy	VCSK607
8	Hose Complete	VCSK608
9	Extension	VCSK609
10	Nozzle	VCSK610
11	End Cap	VCSK611
12	Shoulder Strap	VCSK612
-	Container	VCSK613

CSK10

No.	Description	Part No.
1	Filler Cap	VCSK1001
2	Filter	VCSK1002
3	Hose Complete	VCSK608
4	Spring Clip	VCSK606
5	Pump Assy Complete	VCSK1005
6	Gun	VCSK604
7	Filter	VCSK605
8	Extension	VCSK609
9	Nozzle	VCSK610
10	End Cap	VCSK611
11	Harness	VCSK1011
12	Harness Hook	VCSK1012
13	Plastic Insert	VCSK1013

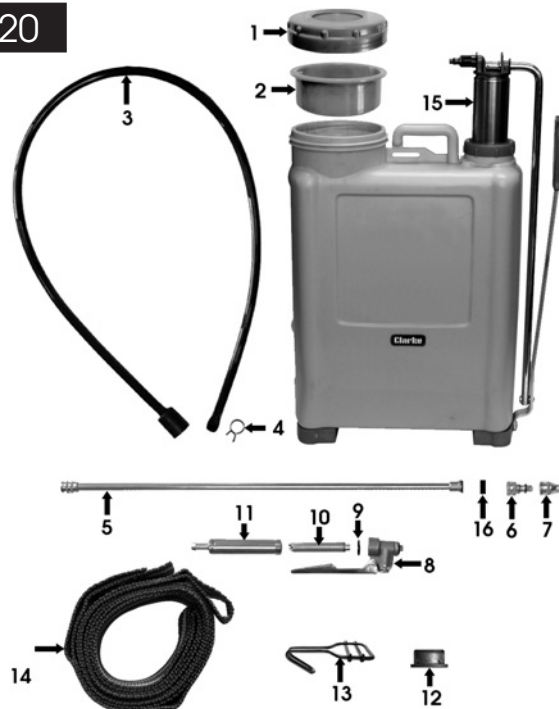
CSK15 & 20

No.	Description	Part No.
1	Filler Cap	VCSK1001
2	Filter	VCSK1002
3	Hose Complete	VCSK1503
4	Hose Clip	VCSK1504
5	Extension	VCSK1505
6	Nozzle	VCSK1506
7	End Cap	VCSK1507
8	Lever Assy	VCSK1508
9	Washer	VCSK1509
10	Plunger	VCSK1510
11	Cylinder	VCSK1511
12	Plastic Insert	VCSK1013
13	Harness Hook	VCSK1012
14	Harness	VCSK1011
15	Pump Assy Complete	VCSK1515

CSK10



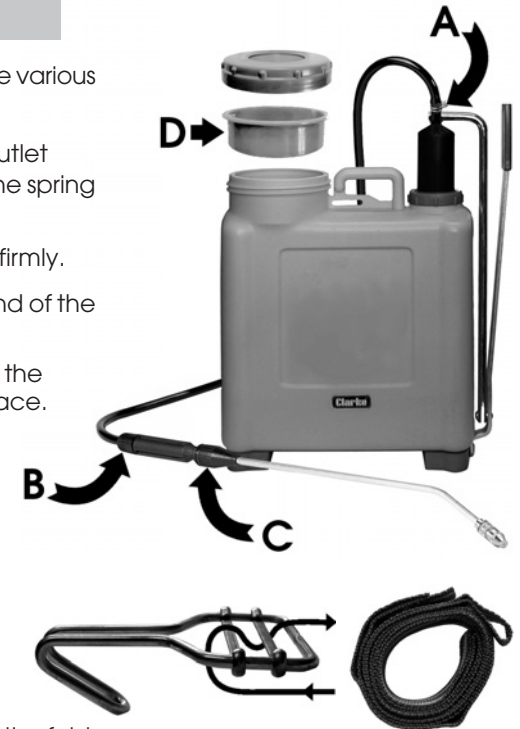
CSK15 & CSK 20



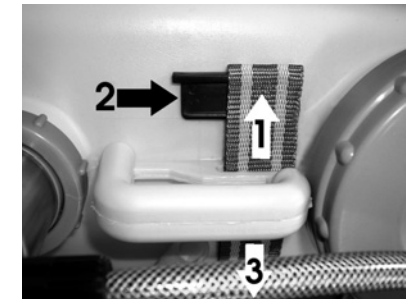
3. CSK10

Unscrew the filler cap and remove the various components

- Push the hose firmly on to the outlet connection, and secure using the spring clip provided.
- Screw the hose on to the gun - firmly.
- Screw the extension on to the end of the gun. Ensure the nozzle on the end of the extension is screwed firmly in place.
- Locate the filter within the filler neck and temporarily screw on the filler cap.



- Attach the harness to the two hooks provided, threading it as shown opposite.
- Fold the harness in half and push the fold through the elongated hole in the handle (1). Push the plastic locking plate into the fold (2) fully. Pull the harness so the the locking plate is pulled firmly into the slot in the handle.



NOTE:

The harness may be threaded through the elongated hole from either side of the handle. This allows the harness to hang at either side of the container, thereby allowing the pumping handle to be operated by left or right hand.

CSK 15 & 20

Assembly is similar to that of the CSK10, except a brass gun is used and the hose is secured with a steel clip. The extension is simply screwed on to the gun.

Operation

CSK 2 (2 Litre Capacity)

Unscrew and remove the complete handle and pump assembly, and fill the container with the desired liquid. Ensure the handle and pump assembly is screwed back on - firmly.

Pressurise the container by grasping the pump handle on the top of the unit and pumping briskly.

Depress the lever, within the handle, to produce a spray. When the spray weakens, pump the handle to maintain container pressure.

CSK 6 (6 Litre Capacity)

Remove the pump assembly by pushing down the pump handle so that the lugs at the bottom of the assembly engage in the slots in the filler cap. Turn anticlockwise to open.

Fill with the desired liquid and ensure the pump assembly is screwed back firmly. Pressurise the container by grasping the pump handle on the top of the unit and pumping briskly.

Push the lever, on the gun, forward to produce a spray. When the spray weakens, pump the handle to maintain container pressure.

CSK 10, 15 & 20 (10, 15 & 20 Litre Capacity)

Unscrew and remove the filler cap and fill with the desired liquid.

Replace the filler cap, ensuring the filter is in place, and ensure it is firm in order to provide an air tight seal.

Pump the handle on the side of the unit a few times to pressurise the pump (the container on these models does not pressurise). DO NOT continue to pump once the action becomes a little stiff.

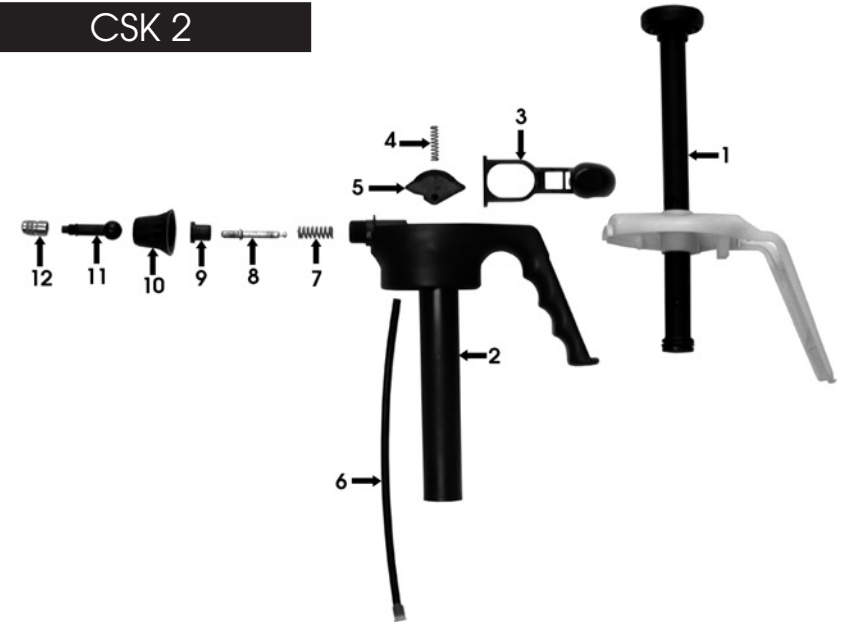
If the harness is used, the hooks engage in the recess on the underside of the container.

Depress the operating lever on the gun to produce a spray - CSK 15 and 20, push the lever forward - CSK 10.

Pump the handle as necessary in order to maintain pressure in the container so that a satisfactory spray is produced. It will become obvious as to the pumping action required to maintain a satisfactory spray.

Clarke
INTERNATIONAL

CSK 2



CSK 6

