

Clarke®



HAND SPRAYERS

MODEL NOS: HSP2 & HSP8

Part Nos: 3402260 & 3402265

OPERATING & MAINTENANCE INSTRUCTIONS

INTRODUCTION

Thank you for purchasing this CLARKE Sprayer, designed for use with insecticides or other water-based products only.

Before attempting to operate the product, it is essential that you read this manual thoroughly and carefully follow all instructions given. In doing so you will ensure the safety of yourself and that of others around you, and you can also look forward to the product giving you long and satisfactory service.

GUARANTEE

This CLARKE product is guaranteed against faulty manufacture for a period of 12 months from the date of purchase. Please keep your receipt as proof of purchase.

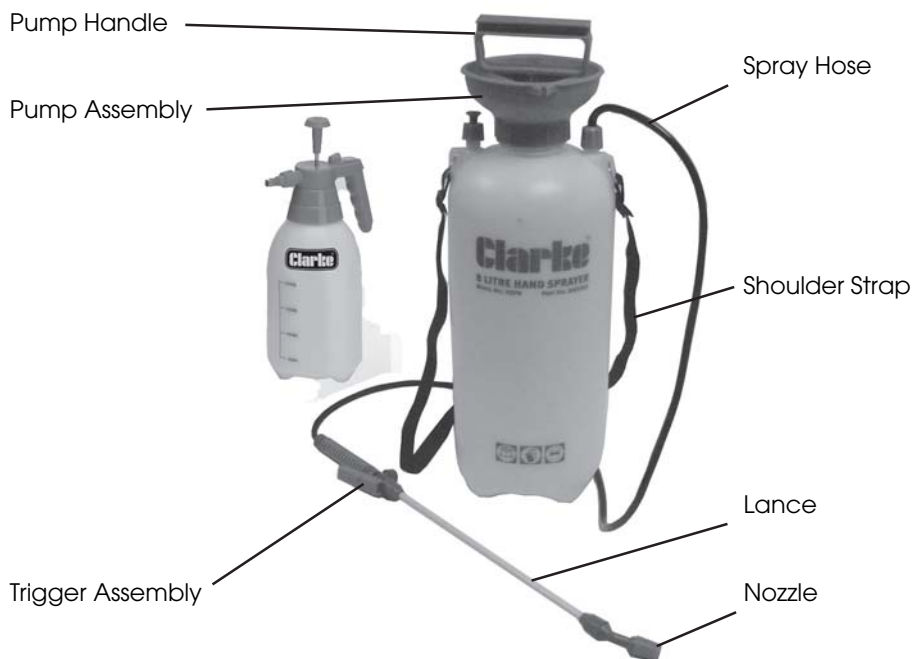
This guarantee is invalid if the product is found to have been abused or tampered with in any way, or not used for its intended purpose.

Faulty goods should be returned to their place of purchase, no product can be returned to us without prior permission. This guarantee does not effect your statutory rights.

GENERAL SAFETY PRECAUTIONS

1. Always thoroughly familiarise yourself with this product & its operation, and always read and understand the instructions and warnings in this manual before use.
2. Never use this sprayer to store or spray flammable solvents.
3. Empty the contents if the sprayer is not to be used for long periods.
4. If insecticide is being sprayed, always wear a protective mask and gloves to protect the skin and face. Never spray pesticide facing into the wind.
5. Never spray pesticide in the direction of other people, animals or foodstuffs.
6. Never use the sprayer for handling hot liquids and avoid operating in excessively hot environments.
7. Always comply with any applicable insecticide manufacturers safety instructions/directives before use.
8. Stop using the sprayer if the container or hose is found to be damaged.

OVERVIEW



SPECIFICATIONS

	HSP2	HSP8
Dimensions L x W x H	175 x 135 x 315 mm	180 x 180 x 540 mm
Weight	0.35 kg	1.30 kg
Volume	2 L	8 L
Lance Length	n/a	370 mm
Hose Length	n/a	125 mm
Operating temp	-5°C - +40°C	-5°C - +40°C

Please note that the details and specifications contained herein, are correct at the time of going to print. However, CLARKE International reserve the right to change specifications at any time without prior notice.

ASSEMBLY

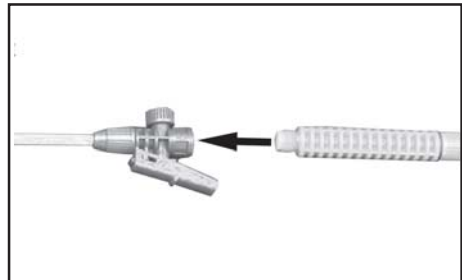
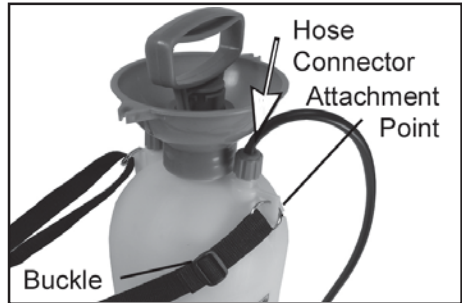
HSP2

This model is fully assembled and ready for use.

HSP8

1. If not already fitted, clip the shoulder strap to the attachment points. Adjust the strap length as required using the buckles.
2. Screw the hose/handle assembly onto the trigger/lance assembly.

 - The other end of the hose should already be connected to the container.



OPERATION

HSP2

1. Unscrew and remove the container from the pump assembly and fill with the required liquid.

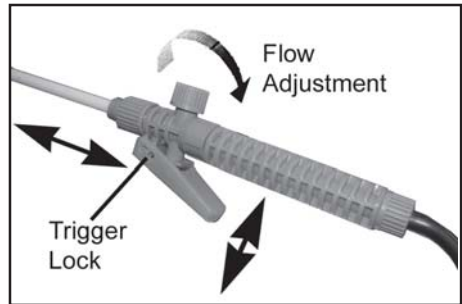
 - Make sure the container is screwed back on firmly.

2. Pressurise the container by holding the pump handle and pumping briskly.
3. Squeeze the trigger to begin spraying. When the spray weakens, pump the handle to maintain container pressure.
4. With the trigger held, push the trigger lock forward, under the lip of the pump assembly to maintain a constant spray without the need to hold the trigger.



HSP8

1. Unscrew the pump assembly from the container.
2. Fill the container with the desired liquid and make sure the pump assembly is screwed back on firmly.
3. Disengage the handle from the carrying lugs of the pump body by turning.
4. Pressurise the container by pumping the handle on top of the unit.
5. Squeeze the trigger to begin spraying. When the spray weakens, pump the handle to maintain container pressure.
6. Push the trigger forward to lock in position to maintain a constant spray without needing to hold the trigger. Slide the trigger lock back to release.
7. Adjust the flow to the nozzle by turning the knob on the trigger body.
8. Adjust the width of the spray by twisting the tip of the nozzle.
9. If leaks or poor delivery are experienced, always check the connections.
 - The pump handle should be pushed downward and turned to engage the carrying lugs in the cap when lifting the unit.

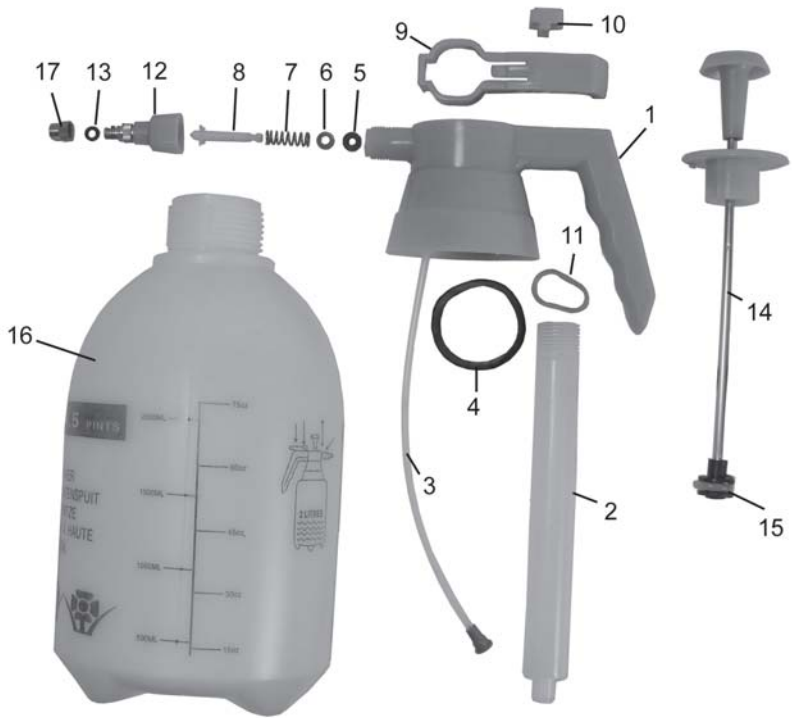


AFTER USE

After use, the sprayer should be flushed thoroughly with clean water to avoid the possibility of blockages from product residue, or any cross-contamination between different products. Store in a cool place out of reach of children.

If not used for long periods or used continuously for several days, add a light smear of vaseline to the sealing washer and moving parts to reduce wear and assist free movement.

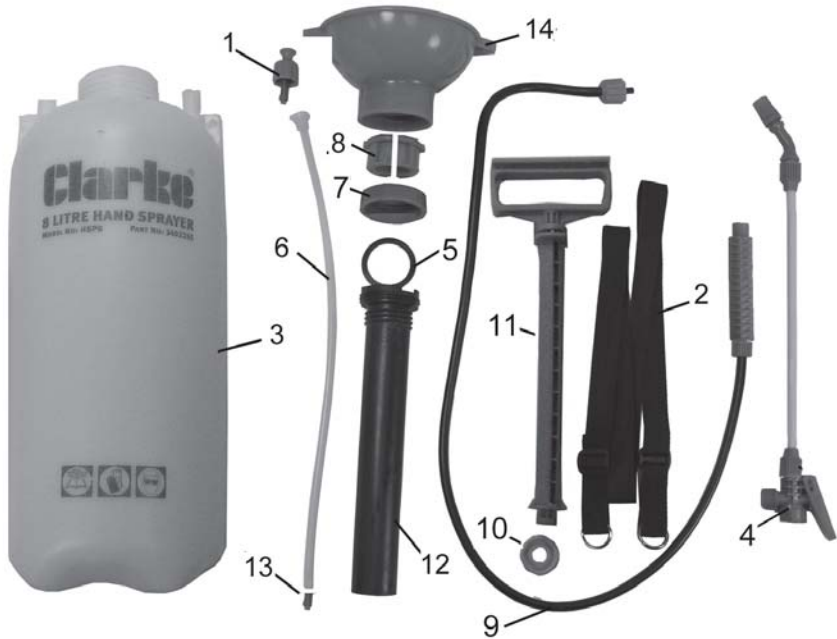
COMPONENT PARTS - HSP2



No	Description	Part No
1	Lid & Handle	AHHSP201
2	Cylinder	AHHSP202
3	Tube with Pickup	AHHSP203
4	O-Ring 35 mm	AHHSP204
5	Gasket	AHHSP205
6	Seat	AHHSP206
7	Spring	AHHSP207
8	Plunger	AHHSP208
9	Trigger	AHHSP209

No	Description	Part No
10	Trigger Lock Button	AHHSP210
11	Cylinder O-Ring	AHHSP211
12	Nozzle Assembly	AHHSP212
13	Nozzle O-Ring	AHHSP213
14	Pump Plunger Assy	AHHSP214
15	Plunger O-ring	AHHSP215
16	Container	AHHSP216
17	Nozzle Tip	AHHSP217

COMPONENT PARTS - HSP8



No	Description	Part No
1	Relief Valve	AHHSP801
2	Shoulder Strap	AHHSP802
3	Container	AHHSP803
4	Lance & Trigger Assy	AHHSP804
5	O-Ring	AHHSP805
6	Pick-up Tube	AHHSP806
7	Retaining Ring	AHHSP807

No	Description	Part No
8	Top Fittings	AHHSP809
9	Spray Hose Assembly	AHHSP810
10	Pump Seal	AHHSP811
11	Pump Handle/Stem	AHHSP812
12	Cylinder	AHHSP813
13	Tip Filter	AHHSP814
14	Top Cap	AHHSP815

A SELECTION FROM THE VAST RANGE OF

Clarke®

QUALITY PRODUCTS

AIR COMPRESSORS

From DIY to industrial, Plus air tools, spray guns and accessories.

GENERATORS

Prime duty or emergency standby for business, home and leisure.

POWER WASHERS

Hot and cold, electric and engine driven - we have what you need

WELDERS

Mig, Arc, Tig and Spot. From DIY to auto/industrial.

METALWORKING

Drills, grinders and saws for DIY and professional use.

WOODWORKING

Saws, sanders, lathes, mortisers and dust extraction.

HYDRAULICS

Cranes, body repair kits, transmission jacks for all types of workshop use.

WATER PUMPS

Submersible, electric and engine driven for DIY, agriculture and industry.

POWER TOOLS

Angle grinders, cordless drill sets, saws and sanders.

STARTERS/CHARGERS

All sizes for car and commercial use.



PARTS & SERVICE: 020 8988 7400

E-mail: Parts@clarkeinternational.com or Service@clarkeinternational.com

SALES: UK 01992 565333 or Export 00 44 (0)1992 565335

Clarke INTERNATIONAL Hemnall Street, Epping, Essex CM16 4LG
www.clarkeinternational.com