

A SELECTION FROM OUR VAST RANGE OF

ClarkeTM

QUALITY PRODUCTS

AIR COMPRESSORS

From DIY to industrial, plus air tools, spray guns and accessories

GENERATORS

Prime duty or emergency standby for business, home and leisure

POWER WASHERS

Hot and cold, electric or engine driven - we have what you need

WELDERS

MIG, Arc, TIG and Spot. From DIY to Auto/Industrial

METALWORKING

Drills, Grinders, Saws, Lathe and Mills for DIY and professional use

WOODWORKING

Saws, Sanders, Lathes, Morticers, Planers, Routers, Jointers and Dust extraction

GARAGE EQUIPMENT

Cranes, Car Hoists, Jacks, Lifts, Body Repair kits, Transmission Jacks for all types of workshop use

WATER PUMPS

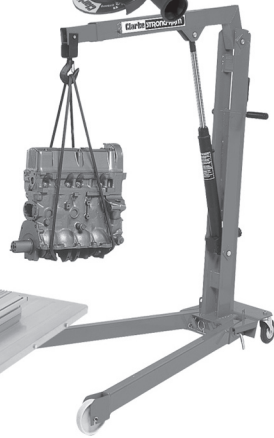
Submersible and non-submersible, engine and electric driven for DIY, agricultural and industrial use

POWER TOOLS

Angle Grinders, Cordless Drill sets, Drills and Sanders

TOOL STORAGE

Huge range of Tool Chests, Cabinets, Racks & Benches from DIY to Industrial use.



Clarke INTERNATIONAL

For spare parts and servicing, please contact your nearest dealer, or CLARKE International on:

020 8988 7400

or e-mail: parts@clarkeinternational.com or: service@clarkeinternational.com

HEMNALL STREET, EPPING, ESSEX CM16 4LG

Clarke[®]



GARDEN SHREDDER

Model No: CGS40

Part No: 3402050

OPERATING & MAINTENANCE INSTRUCTIONS





This is an important document, and should be retained.



DECLARATION OF CONFORMITY

We declare that this product complies to the following standards/directives:

- 98/37/EC
- 2000/14/EC

Notifying Body: TUV Rheinland GmbH
Am Grauen Stein, D-51 105 Kohn

Guaranteed Sound
Power Level: 106 dBLwa

Product Description: GARDEN SHREDDER

Model No: CGS40

Serial (Batch) No: See Product Data Plate

Signed 
Engineering Manager

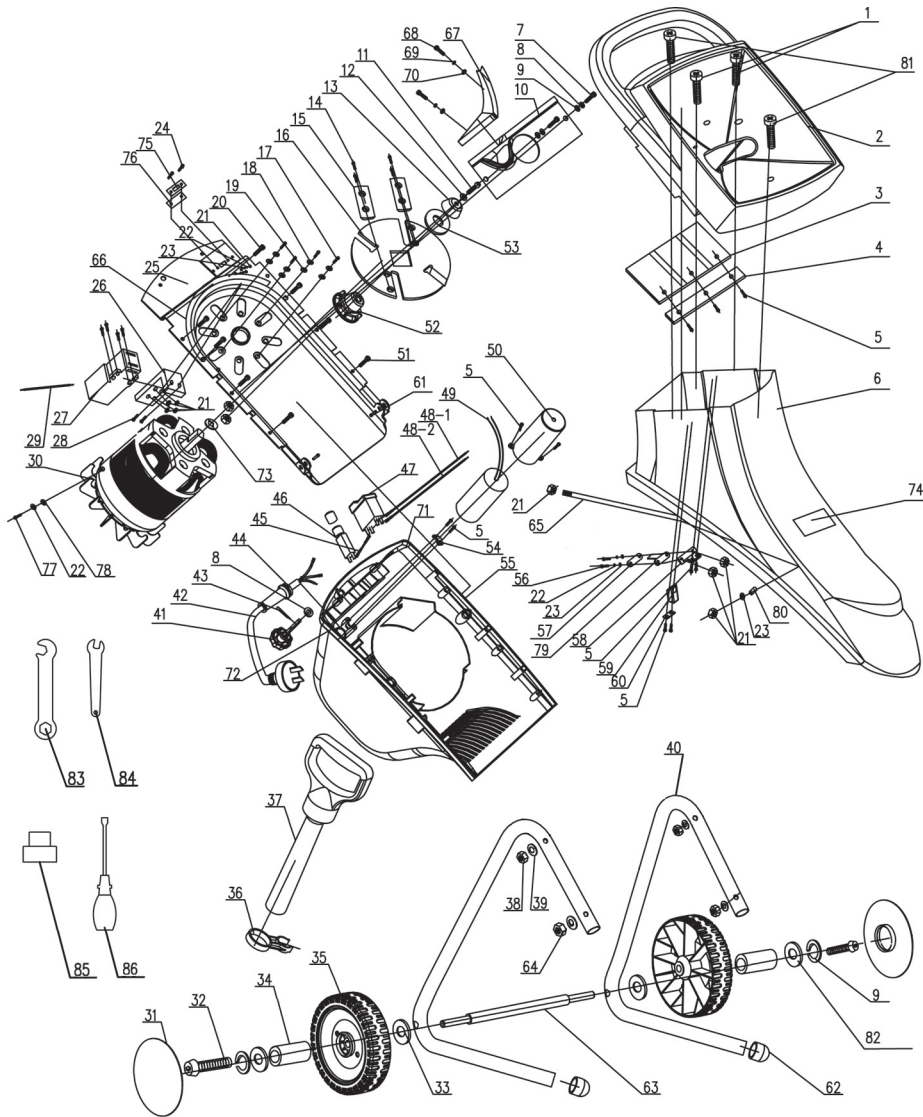
Clarke INTERNATIONAL
Hemnal Street, Epping, Essex CM16 4LG

Clarke International is a trading style of Clarke International Limited

PARTS LIST

No:	Description	Qty	Part No:	No:	Description	Qty	Part No:
1	Safety screw	2	HTCGS4001	45	Conn. wire inner, D	1	HTCGS4045
2	Plastic funnel	1	HTCGS4002	46	Overload protector	1	HTCGS4046
3	Rubber board	1	HTCGS4003	47	Switch	1	HTCGS4047
4	Flange	1	HTCGS4004	48-1	Conn. wire inner, A	1	HTCGS4048a
5	Screw	11	HTCGS4005	48-2	Wire inner, A	1	HTCGS4048b
6	Body front	1	HTCGS4006	49	Capacitor, 20uF	1	HTCGS4049
7	Hex. Bolt	2	HTCGS4007	50	Cover, capacitor	1	HTCGS4050
8	Flat washer, 8	3	HTCGS4008	51	Hex. Screw	4	HTCGS4051
9	Spring washer, 8	4	HTCGS4009	52	Seat, blade plate	1	HTCGS4052
10	Baffle A	1	HTCGS4010	53	Washer	1	HTCGS4053
11	Hex. Bolt	1	HTCGS4011	54	Flange, power cord	1	HTCGS4054
12	Spring washer, 10	1	HTCGS4012	55	Motor housing	1	HTCGS4055
13	Flange, blade plate	1	HTCGS4013	56	Screw, M4x20	2	HTCGS4056
14	Hex. Bolt M10x12	4	HTCGS4014	57	Switch pin	1	HTCGS4057
15	Cutting blades	2	HTCGS4015	58	Switch bracket, B	1	HTCGS4058
16	Blade plate	1	HTCGS4016	59	Fixed nut	1	HTCGS4059
17	Screw, M8x16	4	HTCGS4017	60	Plate	1	HTCGS4060
18	Locking washer	4	HTCGS4018	61	Pin	2	HTCGS4061
19	O-ring	4	HTCGS4019	62	Leg cover	2	HTCGS4062
20	Screw	4	HTCGS4020	63	Connecting bar	1	HTCGS4063
21	Hex. Locking nut	10	HTCGS4021	64	Hex. Nut	6	HTCGS4064
22	Spring washer, 4	5	HTCGS4022	65	Pull rod	1	HTCGS4065
23	Flat washer, 4	5	HTCGS4023	66	Sponge assembly	1	HTCGS4066
24	Screw, M4x14	6	HTCGS4024	67	Baffle, B	1	HTCGS4067
25	Motor bracket	1	HTCGS4025	68	Screw, M6x14	2	HTCGS4068
26	Switch bracket A	1	HTCGS4026	69	Spring washer, 6	6	HTCGS4069
27	Protective switch	1	HTCGS4027	70	Flat washer, 6	6	HTCGS4070
28	Screw, M4x14	2	HTCGS4028	71	Seal ring A	1	HTCGS4071
29	Wire inner B	2	HTCGS4029	72	Seal ring B	1	HTCGS4072
30	Motor assembly	1	HTCGS4030	73	Adjusting washer	1	HTCGS4073
31	Wheel Cover	2	HTCGS4031	74	Label	1	HTCGS4074
32	Hex. Bolt, M8x60	2	HTCGS4032	75	Flange	1	HTCGS4075
33	Washer	2	HTCGS4033	76	Rubber washer	1	HTCGS4076
34	Bush	2	HTCGS4034	77	Screw, M4x8	1	HTCGS4077
35	Wheel	2	HTCGS4035	78	Locking washer	1	HTCGS4078
36	Fixed bracket	1	HTCGS4036	79	Latch support	1	HTCGS4079
37	Push rod	1	HTCGS4037	80	Sleeve	1	HTCGS4080
38	Supporting leg, right	1	HTCGS4038	81	Screw, ST5x30	2	HTCGS4081
39	Washer	4	HTCGS4039	82	Flat washer, 8	2	HTCGS4082
40	Supporting leg, left	1	HTCGS4040	83	Spanner A	1	HTCGS4083
41	Knob	1	HTCGS4041	84	Spanner B	1	HTCGS4084
42	Power cord	1	HTCGS4042	85	Sleeve	1	HTCGS4085
43	Split pin	1	HTCGS4043	86	Screwdriver	1	HTCGS4086
44	Sheath, power cord	1	HTCGS4044				

PARTS DIAGRAM



Thank you for purchasing this CLARKE Garden Shredder, which is designed for DIY and light trade use only.

Please read this instruction leaflet thoroughly and follow the instructions carefully, in doing so you will ensure the safety of yourself and that of others around you, this will also ensure that the Garden Shredder will give you long and satisfactory service.

Please keep these instructions in a safe place for future reference.

CLARKE GUARANTEE

This CLARKE product is guaranteed against faulty manufacture for a period of 12 months from the date of purchase. Please keep your receipt as proof of purchase.

This guarantee is invalid if the product is found to have been abused or tampered with in any way, or not used for the purpose for which it was intended.

Faulty goods should be returned to their place of purchase, no product can be returned to us without prior permission.

This guarantee does not effect your statutory rights.

CONTENTS

Declaration of Conformity	2
Guarantee	3
General Safety Precautions	4
Electrical Connections	5
Assembly Instructions	6
Operation	7
Maintenance	8
Product Specifications	8
Parts Description	10
Parts List	11



Waste electrical products should not be disposed of with household waste. Please dispose of according to all laws governing the disposal of electrical and electronic equipment, at a proper disposal facility.

Please Note that details and specifications herein, are correct of time of going to print. However CLARKE International reserve the right to change specifications at any time without prior notice.
Copyright CLARKE International All rights Reserved 2006.

GENERAL SAFETY PRECAUTIONS

⚠ WARNING: ⚠

PLEASE READ ALL INSTRUCTIONS CAREFULLY BEFORE OPERATING

As with all machinery, there are certain hazards involved with their operation and use. Exercising respect and caution will considerably lessen the risk of personal injury. However, if normal safety precautions are overlooked or ignored, personal injury to the operator or damage to property, may result.



- **ALWAYS** learn the machines applications, limitations and specific potential hazards peculiar to it. Read and become familiar with the entire operating manual.



- **ALWAYS** use a face or dust mask.



- **ALWAYS** wear safety goggles, manufactured to the latest European safety standards. Everyday glasses do not have impact resistant lenses, they are NOT safety glasses.



- **ALWAYS** wear ear protectors/defenders as the noise level of this machine can develop considerable noise - see specifications.



- **ALWAYS** keep people at a safe distance from the work area, especially whilst operating the machine. Children should not be allowed in the work area



- **ALWAYS** keep the mains cable away from the hopper/cutter blades. Follow maintenance instructions.



- **NEVER** put your hands near the blades



- **NEVER** put your hands into hopper near the rotating blades



- **ALWAYS** be aware of flying chips and debris -NEVER peer into the hopper when inserting material - keep your head well away.



- **ALWAYS** Ensure the blades have stopped before carrying out inspection or maintenance



- **ALWAYS** wear a good pair of industrial gloves when using this machine



- **ALWAYS** disconnect the machine from the power supply before servicing or cleaning etc.



- **NEVER** use power tools in damp or wet locations or expose them to rain.

- **ALWAYS** ensure the ON switch is OFF before plugging into the mains. Avoid accidental starting.
- **ALWAYS** concentrate on the job at hand, no matter how trivial it may seem. Be aware that accidents are caused by carelessness due to familiarity.
- **ALWAYS** wear proper apparel. Loose clothing or jewellery may get caught in moving parts. Wear protective hair covering to contain long hair.

PARTS LIST & DIAGRAM

MAINTENANCE

Maintenance is limited to ensuring the machine is clean and free of wood chippings and other debris. Servicing and repairs to this product must be carried out by Clarke International or your local Clarke dealer.

When cleaning, open the front cover and clean thoroughly taking great care to avoid contact with the cutting blades.

Lightly oil all surfaces to prevent rusting.

ALWAYS ensure the machine is switched OFF and disconnected from the mains supply before carrying out any cleaning operations.

Should any repair be necessary, please contact your Clarke dealer for advice.

SPECIFICATIONS

Motor	230V 50Hz 1ph
Input Wattage	2400W
Input Current	11.5A
Max. Cutting Capacity	40mm dia.
Guaranteed Sound Power Level	106dB _{LWA}
Dimensions	690x470x944mm
Net Weight	21.5kg
Duty Cycle	S6 40%**

** This product is designed so that the motor may be run under load for an accumulated period of 6 minutes only, and off load for an accumulated period of 4 minutes, in any 10 minute period.

Clarke[®]
INTERNATIONAL

GENERAL SAFETY PRECAUTIONS CONTINUED

- **ALWAYS** keep your proper footing and balance at all times DO NOT over reach. For best footing wear rubber soled footwear.
- **NEVER** operate the machine when under the influence of drugs, alcohol or any medication.
- **NEVER** leave the machine running unattended. Turn power OFF. Do not leave the machine until it comes to a complete stop.
- **NEVER** force the machine, it will do a better and safer job at the rate for which it was designed.
- **ALWAYS** check for damage before use, any damaged part should be checked to ensure that it will operate properly and perform it's intended function. Any damage should be properly repaired or the part replaced. If in any doubt DO NOT use the machine. Consult your local dealer.

ELECTRICAL CONNECTIONS

Connect the mains lead to a standard 230 volt (50Hz) electrical supply via a 13 amp BS1363 plug fitted with a 13 amp fuse.

WARNING: THIS APPLIANCE MUST BE EARTHED.

IMPORTANT: The wires in the mains lead are coloured in accordance with the following code:

Green & Yellow	-	Earth
Blue	-	Neutral
Brown	-	Live

As the colours of the flexible cord of this appliance may not correspond with the coloured markings identifying terminals in your plug, proceed as follows:

- Connect GREEN & YELLOW cord to terminal marked with a letter "E" or Earth symbol "⏏", or coloured GREEN or GREEN & YELLOW.
- Connect BROWN cord to terminal marked letter "L" or coloured RED.
- Connect BLUE cord to plug marked letter "N" or coloured BLACK.

FUSE RATING

The fuse for the plug in this appliance must be rated at **13 amps**.

We recommend that this machine is connected to the mains supply via a Residual Current Device (RCD).

EXTENSION CABLES

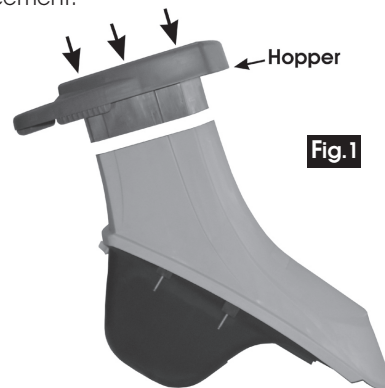
If an extension cable is used always ensure that it is fully unwound. The maximum extension length is 25M, and the wire size in the cables must be at least 1.5mm in diameter. As a general rule the extension cable must be thicker than the cable supplied with the Shredder. If longer extensions are required please seek advice from a qualified electrician.

**IF IN DOUBT CONSULT A QUALIFIED ELECTRICIAN.
DO NOT ATTEMPT ANY ELECTRICAL REPAIRS YOURSELF.**

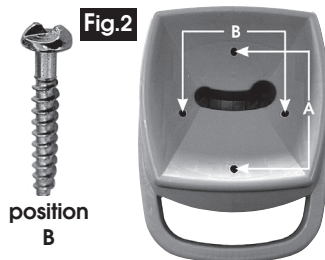
ASSEMBLY

Unpack the carton and lay out the parts carefully, should any damage be apparent, please contact your CLARKE dealer immediately for replacement.

1. Lay the shredder body as shown in Fig.1, and lower the hopper on to its top, ensuring it locates entirely squarely before proceeding.
2. Insert two self tapping cross head screws at position 'A' Fig. 2, and screw in, but do not fully tighten.



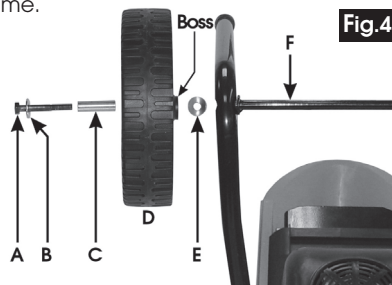
3. Insert tamper proof screws (illustrated) into positions 'B', Fig.2, using a blade screwdriver to screw in until tight.
4. Finally tighten two cross head screws at 'A'.



5. Invert body, as shown in Fig.3, and lower each leg side on to the studs.

Note: the frame sides are marked 'L' and 'R' - left and right.

6. Secure each leg using a shaped washer and self locking nut on each stud.
7. Insert the axle 'F' between the legs, then mount a wheel on each side, in the manner shown below - Bolt (A), flat washer (B), Bush (C), on the outside of the wheel (D), and a shaped washer (E) between the wheel and frame.



Note: The wheel central boss is innermost.

8. With the wheel centre bolts tightened, tap on the wheel hub trim
9. Clip the plastic Push Stick holder on to either leg, and drop in the push stick.

Your Shredder is now ready for use

OPERATION

CAUTION

Always wear proper safety goggles, and ear defenders.

With the machine standing on firm level ground, standing on a board if necessary, plug the machine into the mains supply, via a residual current device (RCD), and start the machine by pressing the ON/OFF rocker switch shown below, to ON.

If the machine fails to start, check to ensure the front cover is firmly secured by tightening, if necessary, the front cover securing knob - see illustration.

NOTE: The front cover securing knob incorporates a microswitch, which prevents the shredder from operating if the front cover is not properly secured.

When the machine is running at full speed, proceed to feed material into the hopper, DO NOT force it. The cutter blades will pull the material into the machine, but small, light material, leaves etc., may need pushing in with the Push Stick - NEVER push material into the hopper with your hands.

The material must be of a size to easily enter the holes in the hopper - max. 40mm.

All side shoots, branches etc., must be cut off beforehand.

Please take note of the safety precautions, and DO NOT attempt to shred hard materials, such as glass, metal, bones, plastic, polythene, rope etc.

Be aware that treated wood when shredded could produce toxic dust, as could prunings with fungus or decay. These materials should not be shredded but taken to the recycling centre.

Place a collecting bag, or bin below the chute to collect chippings.

IMPORTANT!

Should the machine become clogged and stop delivering chippings, switch OFF immediately and disconnect from the mains supply.

Undo the front cover securing knob fully and open the cover. Using industrial quality gloves, remove any material in the chute. Take great care to avoid contact with the cutter blades - use a stick where necessary.

Ensure the cover is properly secured before plugging into the mains supply and restarting.

OVERLOAD PROTECTION

Should the machine become overloaded or overheat, a Thermal Overload will intervene, shutting off the machine.

Should this occur, switch OFF the machine and disconnect from the mains supply, open the front cover and remove any material in the chute, then replace the cover.

Allow the machine to cool for at least 5 minutes before plugging into the mains supply, pressing the RESET button, see illustration above and restarting.

