

CLARKE®



PARTS WASHER

Model: CW2D

Part No: 7630910

OPERATING & MAINTENANCE INSTRUCTIONS



INTRODUCTION

Thank you for purchasing this CLARKE Parts Washer.

Before using the product, be sure to read these instructions thoroughly. In doing so you will ensure the safety of yourself and of others around you, and you can look forward to the product giving you long and satisfactory service.

GUARANTEE

This CLARKE product is guaranteed against faulty manufacture for a period of 12 months from the date of purchase. Please keep your receipt as proof of purchase. This guarantee is invalid if the product is found to have been abused or tampered with in any way, or not used for its intended purpose.

Faulty goods should be returned to their place of purchase, no product can be returned to us without prior permission.

This guarantee does not effect your statutory rights.

FEATURES

- Accepts all common degreasing fluids.
- Fusible link automatically closes lid in case of fire.
- Built in replacement filter.
- Easy maintenance solvent pump, (230vac).

SPECIFICATIONS

Motor:	230vac~50Hz
Tank Size:	10 Litres
Pump Capacity:	17 litres/min
Weight:	7.5 Kg
Dimensions:	(LWH) 440 x 360 x 260mm
Maximum Fluid Capacity:	10 Litres
Minimum Fluid Capacity:	Sufficient to cover the Pump Inlet

SAFETY PRECAUTIONS



WARNING: AS WITH ALL MACHINERY, THERE ARE CERTAIN HAZARDS INVOLVED WITH THEIR OPERATION AND USE. EXERCISING RESPECT AND CAUTION WILL CONSIDERABLY LESSEN THE RISK OF PERSONAL INJURY. HOWEVER, IF NORMAL SAFETY PRECAUTIONS ARE OVERLOOKED OR IGNORED, PERSONAL INJURY TO THE OPERATOR OR DAMAGE TO PROPERTY, MAY RESULT.

1. **ALWAYS** Learn the machine's applications, limitations, and the specific potential hazards peculiar to it. Read and become familiar with the entire operating manual.
2. **ALWAYS** wear suitable protective clothing, gloves and goggles, manufactured to the latest European Safety Standards. Everyday eye glasses are not safety glasses.
3. **ALWAYS** clean off any accidental splashes of degreaser on the skin, seek medical attention immediately if necessary.
4. **ALWAYS** follow degreaser manufacturer's instructions carefully.
5. **ALWAYS** check for damage. Before using the washer, any damaged part, should be checked to ensure that it will operate properly, and perform its intended function. Any damage should be properly repaired or the part replaced. If in doubt, **DO NOT** use the machine. Consult your local **CLARKE** dealer.
6. **ALWAYS** disconnect the washer from the power supply before carrying out any maintenance or cleaning of the parts washer.
7. **ALWAYS** keep work area clean. Cluttered areas and benches invite accidents, mop up accidental spillages of degreaser immediately.
8. **ALWAYS** ensure that adequate lighting is available. A minimum intensity of 300 lux should be provided. Ensure that lighting is placed so that you will not be working in your own shadow.
9. **ALWAYS** keep children away. All visitors should be kept a safe distance from the work area, especially whilst operating the machine.
10. **ALWAYS** maintain machine in top condition. Keep washer clean for the best and safest performance. Follow maintenance instructions.
11. **ALWAYS** ensure the switch is off before plugging in to mains. Avoid accidental starting.
12. **ALWAYS** concentrate on the job in hand, no matter how trivial it may seem. Be aware that accidents are caused by carelessness due to familiarity.
13. **ALWAYS** keep your proper footing and balance at all times don't over reach. For best footing, wear rubber soled footwear. keep floor clear.

ELECTRICAL CONNECTIONS



WARNING! Read these electrical safety instructions thoroughly before connecting the product to the mains supply.

Before switching the product on, make sure that the voltage of your electricity supply is the same as that indicated on the rating plate. This product is designed to operate on 230VAC 50Hz. Connecting it to any other power source may cause damage.

This product may be fitted with a non-rewireable plug. If it is necessary to change the fuse in the plug, the fuse cover must be refitted. If the fuse cover becomes lost or damaged, the plug must not be used until a suitable replacement is obtained.

If the plug has to be changed because it is not suitable for your socket, or due to damage, it should be cut off and a replacement fitted, following the wiring instructions shown below. The old plug must be disposed of safely, as insertion into a mains socket could cause an electrical hazard.



WARNING! The wires in the power cable of this product are coloured in accordance with the following code:

Blue = Neutral

Brown = Live

Yellow and Green = Earth

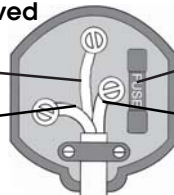
If the colours of the wires in the power cable of this product do not correspond with the terminal markings of your plug, proceed as follows.

- **The wire which is coloured Blue must be connected to the terminal which is marked N or coloured Black.**
- **The wire which is coloured Brown must be connected to the terminal which is marked L or coloured Red.**
- **The wire which is coloured Yellow and Green must be connected to the terminal which is marked E or \perp or coloured Green.**

Plug must be BS1363/A approved

Earth
(Green and Yellow)

Neutral
(Blue)



Always fit a 13 Amp fuse.

Live
(Brown)

Ensure that the outer sheath of the cable is firmly held by the clamp

We strongly recommend that this machine is connected to the mains supply via a Residual Current Device (RCD).

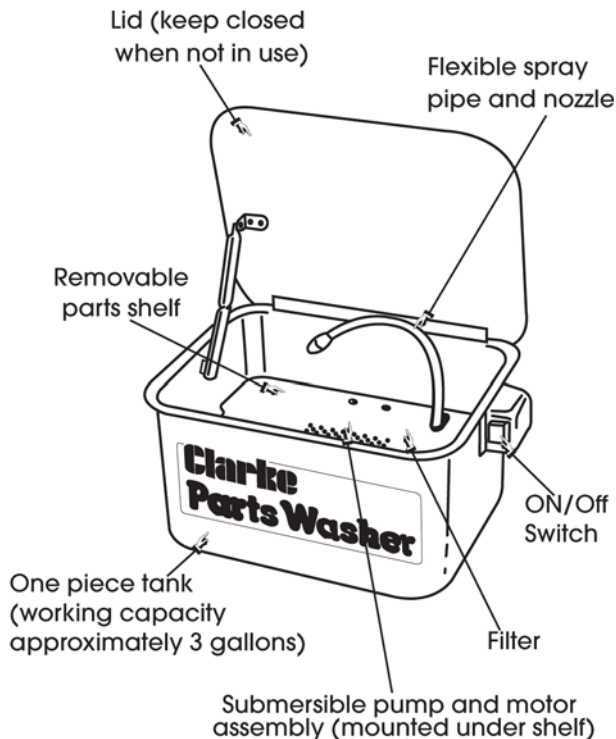
If in doubt, consult a qualified electrician. DO NOT attempt repairs yourself.

INSTALLATION & ASSEMBLY

1. Fit the handle to the lid before use, using the nuts and bolts supplied.
 2. Choose a firm, flat and level surface to site the machine on, in a well ventilated area and away from any naked flames.
 3. Ensure all packaging is removed before filling with parts washer fluid.
-

OPERATION

1. Fill only with a non-flammable degreaser or cleaning agent, such as Clarke parts washer fluid, to just below the level of the parts shelf. **DO NOT fill with flammable solvents such as paraffin, thinners, etc.**
2. Open the lid, switch the pump on and hold the part to be cleaned under the nozzle, slowly rotate the component until clean.
3. When clean, leave to drain on a tray until dry.



4. Switch off the pump and close the lid and disconnect the power supply.
5. Remove gloves and goggles, store safely.

Note: Any spillages should be mopped up immediately, so as not to cause a safety hazard.

IMPORTANT:

1. The Lid Stay incorporates a safety device in the form of a fusible link, which closes the lid in the event of fire. The link is non-resetting and must be replaced should it be activated.
2. Clean the pump filter regularly, by sliding it away from the pump housing and rinsing it in clean degreaser.
3. Do not allow the level of liquid in the parts washer to fall below the pump inlet, as damage to the pump can result.

CONSUMABLES

This parts washer is suitable for use with Clarke water-based parts washer fluid, either;

Concentrated; P/No: 3051063 (5 Litre)
P/No: 3051065 (25 Litre) - or

Ready to Use; P/No: 3051064 (5 Ltr)
P/No: 3051066 (30 Ltr)

These products are non-flammable and bio-degradable.

We do not recommend the use of solvent-based parts washer fluids such as P/Nos: 3051115 and 3051120 with this parts washer.

ENVIRONMENTAL PROTECTION



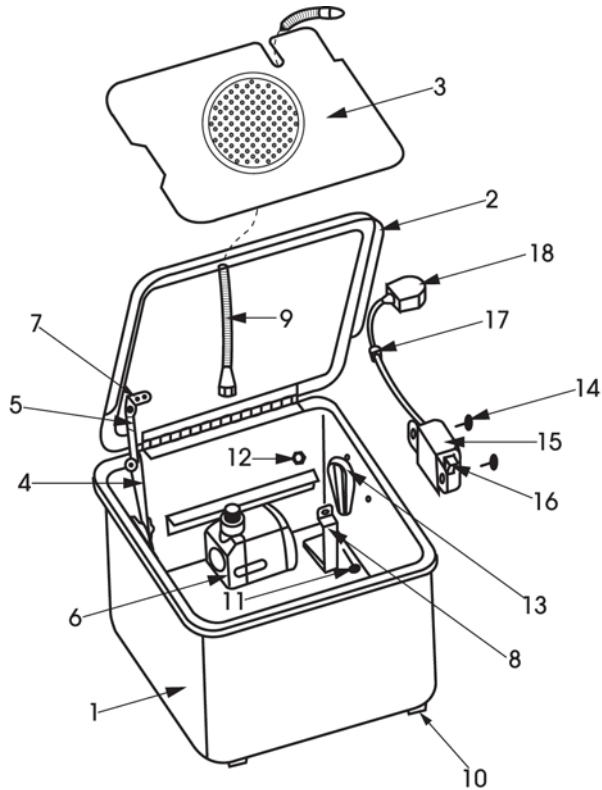
Do not dispose of this product or damaged components with general household waste. All tools, accessories and packaging should be sorted, taken to a recycling centre and disposed of appropriately.

One of the most damaging sources of environmental pollution is oil products. Never throw away used oil with domestic refuse or flush it down a sink or drain. Collect any oil in a leak proof container and take it to your local waste disposal site.

IMPORTANT

The use of parts other than CLARKE replacement parts may result in safety hazards, decreased product performance, and may invalidate your warranty.

PARTS DIAGRAM



No	Parts List	Part No
1	Tank	HT201
2	Lid	HT202
3	Removable Work Shelf	HT203
4	Lid Stay c/w Fusible Link	HT204
5	Safety Plate	HT205
6	Pump	HT206
7	Rivet	HT207
8	Pump Holder	HT208
9	Flexible Pipe	HT209

No	Description	Part No
10	Plastic Plate	HT210
11	Screw M5 x 12	HT211
12	Nut M5	HT212
13	Cover	HT213
14	Screw M4 x 12	HT214
15	Switch Box Cover	HT215
16	On/Off Switch	HT216
17	Strain Relief	HT217
18	Power Cable with Plug	HT218

A SELECTION FROM THE VAST RANGE OF

Clarke®

QUALITY PRODUCTS

AIR COMPRESSORS

From DIY to industrial, Plus air tools, spray guns and accessories.

GENERATORS

Prime duty or emergency standby for business, home and leisure.

POWER WASHERS

Hot and cold, electric and engine driven - we have what you need

WELDERS

Mig, Arc, Tig and Spot. From DIY to auto/industrial.

METALWORKING

Drills, grinders and saws for DIY and professional use.

WOODWORKING

Saws, sanders, lathes, mortisers and dust extraction.

HYDRAULICS

Cranes, body repair kits, transmission jacks for all types of workshop use.

WATER PUMPS

Submersible, electric and engine driven for DIY, agriculture and industry.

POWER TOOLS

Angle grinders, cordless drill sets, saws and sanders.

STARTERS/CHARGERS

All sizes for car and commercial use.



PARTS & SERVICE: 020 8988 7400

E-mail: Parts@clarkeinternational.com or Service@clarkeinternational.com

SALES: UK 01992 565333 or Export 00 44 (0)1992 565335

Clarke INTERNATIONAL Hemnall Street, Epping, Essex CM16 4LG
www.clarkeinternational.com