



**Clarke**<sup>®</sup>  
INTERNATIONAL

Hemnal Street, Epping, Essex CM16 4LG

**DECLARATION OF CONFORMITY**

This is an important document and should be retained.

We hereby declare that this product(s) complies with the following directive(s):

2006/42/EC Machinery Directive.

The following standards have been applied to the product(s):

The technical documentation required to demonstrate that the product(s) meet(s) the requirement(s) of the aforementioned directive(s) has been compiled and is available for inspection by the relevant enforcement authorities.

The CE mark was first applied in: 2012

**Product Description:** Automotive Support Stand  
**Model number(s):** CTS4000B  
**Serial / batch Number:** N/A  
**Date of Issue:** 23/01/2012

Signed:



J.A. Clarke  
Director

CTS4000 Automotive stand DOC(v1)

Page 1 of 1

**Clarke**<sup>™</sup>  
**STRONG-ARM**



0112

**A SELECTION FROM THE VAST RANGE OF**

**Clarke**<sup>®</sup>

**QUALITY PRODUCTS**

**AIR COMPRESSORS**

From DIY to industrial. Plus air tools, spray guns and accessories.

**GENERATORS**

Prime duty or emergency standby for business, home and leisure.

**POWER WASHERS**

Hot and cold, electric and engine driven - we have what you need

**WELDERS**

Mig, Arc, Tig and Spot. From DIY to auto/industrial.

**METALWORKING**

Drills, grinders and saws for DIY and professional use.

**WOODWORKING**

Saws, sanders, lathes, mortisers and dust extraction.

**HYDRAULICS**

Cranes, body repair kits, transmission jacks for all types of workshop use.

**WATER PUMPS**

Submersible, electric and engine driven for DIY, agriculture and industry.

**POWER TOOLS**

Angle grinders, cordless drill sets, saws and sanders.

**STARTERS/CHARGERS**

All sizes for car and commercial use.

**AUTOMOTIVE SUPPORT STAND**

Model No. CTS4000B

Part No. 7600200

**Assembly Instructions**

Thank you for purchasing this Clarke Automotive Support Stand, which is designed for many support uses e.g. exhausts. Before use please read these instructions. This is for your own safety and that of others around you, and to help you achieve long and trouble free service from the stand.

## Guarantee

This product is guaranteed against faults in manufacture for 12 months from purchase date. Please keep your receipt as proof of purchase.

This guarantee is invalid if the product has been abused or tampered with in any way, or not used for the purpose for which it is intended. The reason for return must be clearly stated.

This guarantee does not affect your statutory rights.

## Safety Precautions

- **DO NOT** exceed the load for which this device was designed (750 kg).
- **ENSURE** the Stand is positioned on a solid level surface (concrete or similar).
- **ALWAYS** inspect before each use, to ensure the frame is not bent or twisted and that there are no cracked welds etc. Should any damage be apparent, or if the stand has been subjected to an abnormal shock, it should be removed from service and repaired by a qualified technician.
- **DO NOT** use this tool as a jack.
- **DO NOT** use this stand to support a vehicle transmission.

## Features

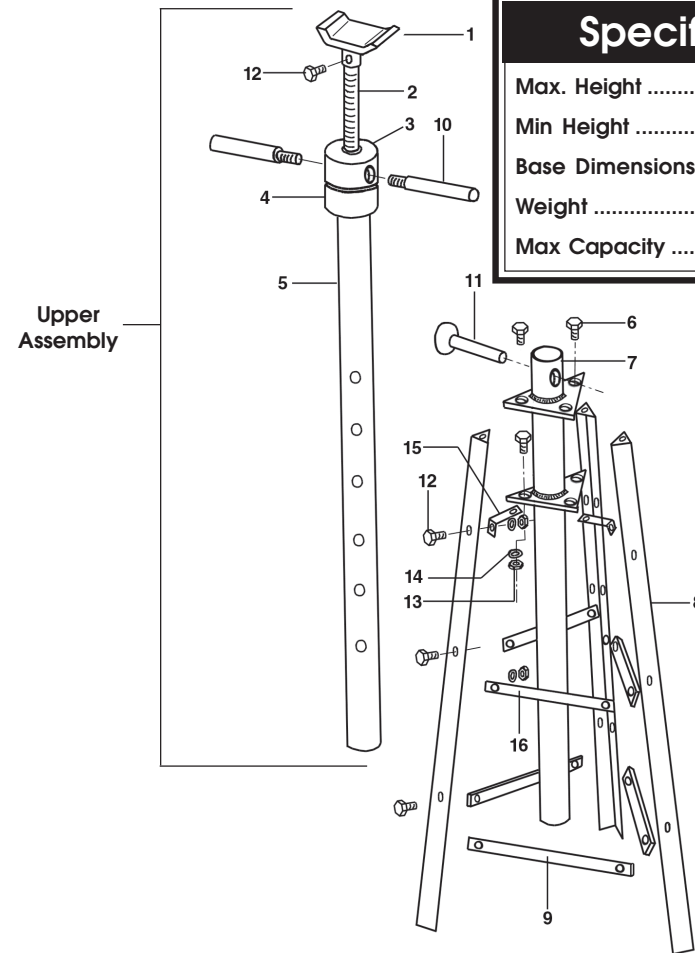
Little maintenance is required. The screw thread should be greased periodically with a medium grease. In addition to the visual inspection before each use, as detailed above, the stand should be inspected by a qualified technician annually to ensure it is completely safe for use, with no distortion or damage of any kind.

The unit requires assembling according to the drawing opposite

## Operation Ref: Parts List

1. Rotate the Screw Nut (3), anticlockwise, using the Handles (10), to lower the Saddle (1), as far as possible
2. Grasp one of the handles (10), and taking the weight of the complete Upper Assembly (Saddle, Screw Rod (2), Screw Nut, Handles and Tube Insert (5)), remove the Locking Pin (11), which secures the Upper Assembly to the Support Post (7).
3. Raise the Upper Assembly as high as necessary so that the Saddle is as near as possible to the load. Line up one of the holes in the Tube Insert (5) with the hole in the top of the Support Post and locate using the Locking Pin.
4. Finally, screw the Screw Nut clockwise so that the Saddle contacts the load at a suitable support point...careless positioning could result in damage to the load. Continue to raise the saddle, but only so much as to take the weight of the load **ONLY**.

## Parts List & Diagram



### Specifications

Max. Height ..... 2360 mm  
 Min Height ..... 1255 mm  
 Base Dimensions ..... 650 x 563 mm  
 Weight ..... 22 kg  
 Max Capacity ..... 750 kg

No.	Description	Part No.	No.	Description	Part No.
1	Saddle	HTCTS4000B01	9	Lower Strut	HTCTS4000B09
2	Screw Rod	HTCTS4000B02	10	Handle	HTCTS4000B10
3	Screw Nut	HTCTS4000B03	11	Locking Pin	HTCTS4000B11
4	Bearing	HTCTS4000B04	12	Bolt M10x20	HTCTS4000B12
5	Tube Insert	HTCTS4000B05	13	Nut M10	HTCTS4000B13
6	Bolt M10x25	HTCTS4000B06	14	Flat Washer	HTCTS4000B14
7	Support Post	HTCTS4000B07	15	Connect Plate	HTCTS4000B15
8	Leg	HTCTS4000B08	16	Upper Strut	HTCTS4000B16