

# CLAMPBRO® STRONG-ARM



## HYDRAULIC MOTORCYCLE LIFT

MODEL NO: CML4

PART NO: 7610191

## OPERATION & MAINTENANCE INSTRUCTIONS



LS0611

---

## INTRODUCTION

---

Thank you for purchasing this CLARKE hydraulic motorcycle lift.

Before attempting to operate this product, it is essential that you read this manual thoroughly and carefully follow all instructions given. In doing so you can look forward to the product giving you long and satisfactory service.

---

## GUARANTEE

---

This CLARKE product is guaranteed against faulty manufacture for a period of 12 months from the date of purchase. Please keep your receipt as proof of purchase.

This guarantee is invalid if the product is found to have been abused or tampered with in any way, or not used for the purpose for which it was intended.

Faulty goods should be returned to their place of purchase, no product can be returned to us without prior permission.

This guarantee does not effect your statutory rights.

---

## SPECIFICATIONS

---

Model Number	CML4
Maximum Load	400 kg
Minimum Table Height	130 mm
Maximum Table Height	430 mm
Weight	34.6 kg

---

## SAFETY PRECAUTIONS

---

1. **NEVER** exceed the safe working load of 400 kg, and only use the motorcycle lift for its intended purpose.
2. **NEVER** use the lift if it has been subjected to an abnormal load or shock. It should be removed from service immediately and fully inspected by qualified personnel, and passed as serviceable, before being used again.
3. **NEVER** rely upon the hydraulic ram to support the saddle when loaded. Always use the locking bar to hold the saddle in one of the positions provided.
4. **ALWAYS** use the lift on a solid, flat, level surface.
5. **ALWAYS** screw down the stabilisers before putting the saddle under load.

**NOTE: *The castors are not designed to take the weight of the motorcycle, but are used merely to move the lift quickly and easily around the workshop. On no account must you raise a loaded platform unless the stabilisers are screwed down, and NEVER use the lift to transport a load.***

6. **ALWAYS** use appropriate safety equipment, such as protective footwear, when using this lift.
7. **ALWAYS** inspect the lift before use to ensure it is in good condition, and replace any damaged or worn parts.
8. **ALWAYS** use spare parts supplied by Clarke International. Using non-standard parts could be extremely dangerous.
9. **ENSURE** the operator is trained in both operational and safety aspects.
10. **NEVER** leave this lift unattended whilst there is a load on it.
11. **NEVER** allow children or bystanders anywhere near this lift whilst it is in use.

---

## UNPACKING

---

Check to ensure that no damage has occurred during transit. Any damage should be reported to your Clarke dealer immediately.

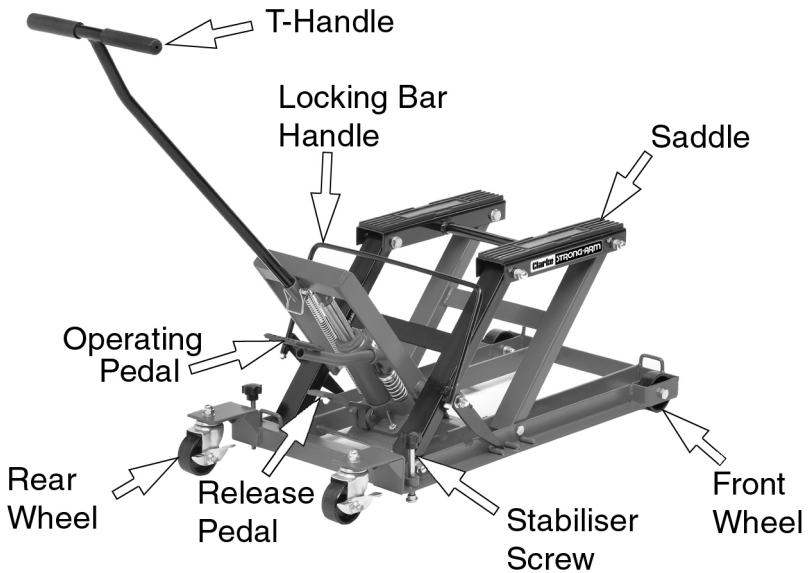
The following should be included:

1 x Main Carriage / Lifting Frame Assembly	1 x T-Handle
1 x Hydraulic Ram Assembly	1 x Height Lock Release Bar
1 x Foot Pedal	Tie Down Straps

---

## OVERVIEW

---



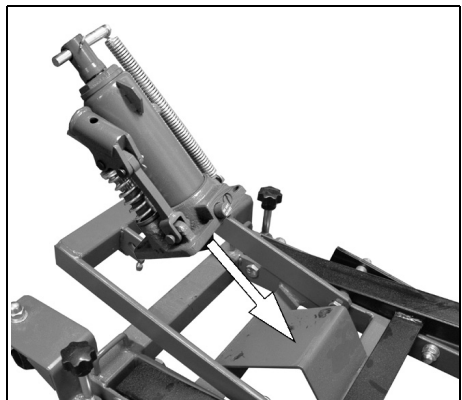
---

## ASSEMBLY

---

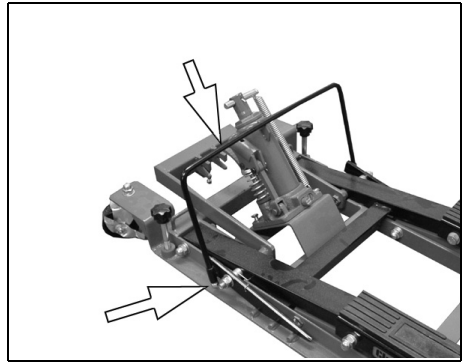
### THE RAM ASSEMBLY

1. Secure the ram assembly to its baseplate using the two M8x25 bolts and M8 Spring washers supplied.
2. Tighten the bolts securely.



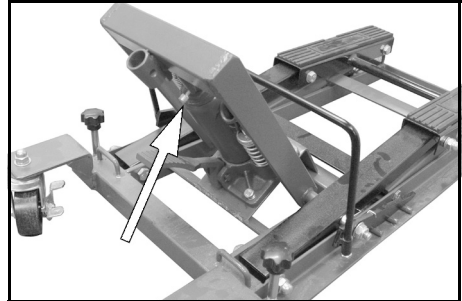
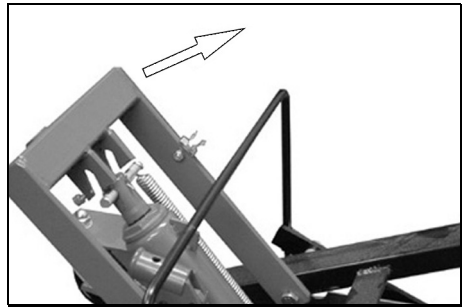
## THE LOCKING BAR

1. Locate the locking bar handle in to the socket at each side of the lift.
2. Place a M8 spring washer on to the threads and screw on the M8 nut securely.
  - Ensure the locking bar is free to rotate under its own weight.
  - The locking bar should hinge so that the ends engage against one of the ridges on the base.



## THE RAM TO THE FRAME

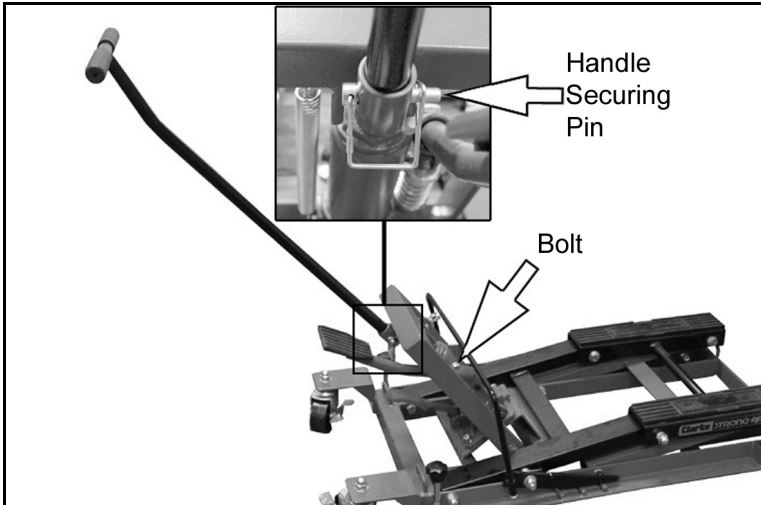
1. Lift the saddle manually and hook the ram frame over the ram as shown.
2. Secure in place using the locking screw.



## THE HANDLE AND OPERATING PEDAL

The handle is secured to the frame using the pin provided.

The operating pedal should be slid into place and secured using the M8x12 bolt supplied.



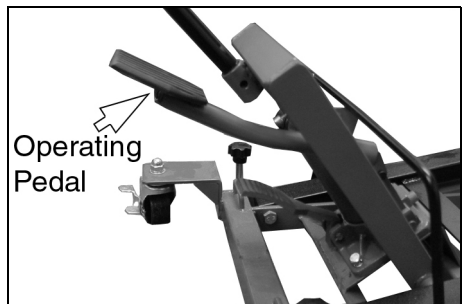
---

## OPERATION

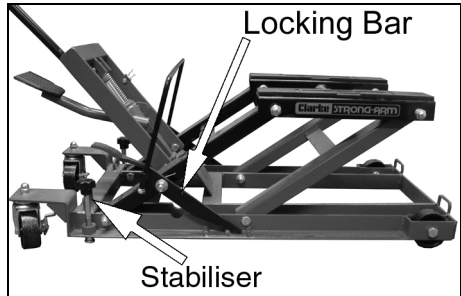
---

### RAISING THE LOAD

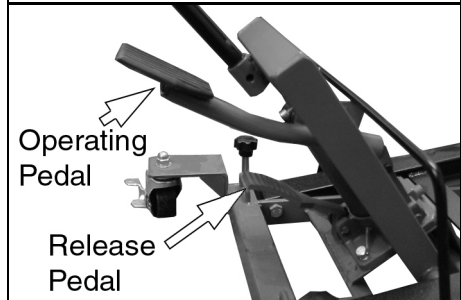
1. Position the saddle between the wheels of the motorcycle, as near to the centre of gravity as possible.
2. Pump the operating pedal until the saddle makes light contact with the motorcycle frame, then assess where packing may be required to ensure the motorcycle is well supported and stable.



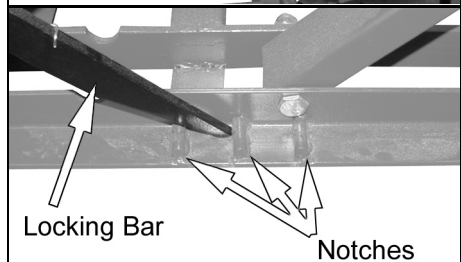
- When the motorcycle is satisfactorily supported, screw down the two stabilisers,
  - This removes any load from the castors,



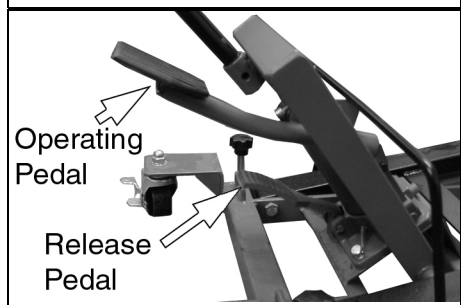
- Raise the load by pumping the operating pedal.



- Once you have reached the desired height, ensure the locking bar is engaged with the notches on the base,



- Press the release pedal gently, allowing the saddle to lower until the load is taken by the locking bar.
- Secure the load using tie down straps (supplied) before you begin work.

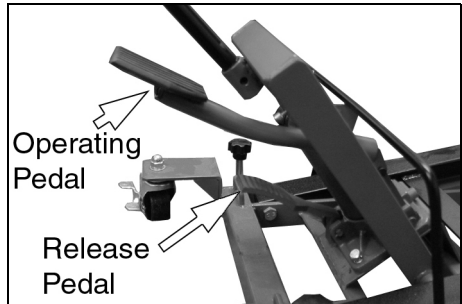


**WARNING: UNDER NO CIRCUMSTANCES MUST YOU RELY UPON THE RAM TO SUPPORT THE LOAD.**

**WARNING: ENSURE THE MOTORCYCLE IS FULLY STABILISED BEFORE COMMENCING WORK.**

## LOWERING THE LOAD

1. Pump the operating pedal to raise the load slightly and release the locking bar.
2. Push the locking bar against the ram and into the locking bar retaining clip
3. Press down on the release pedal and allow the load to descend.
4. Remove the locking bar from the locking bar retaining clip before using the lift again.



**WARNING: TAKE GREAT CARE WHEN LOWERING. YOU ONLY NEED TO PRESS THE RELEASE PEDAL VERY LIGHTLY. TOO HEAVY A TOUCH WILL RESULT IN THE LOAD DESCENDING TOO RAPIDLY WHICH COULD BE HAZARDOUS**

## MAINTENANCE

### BEFORE EACH USE

Visually inspect the lift for distortion of parts, cracked welds, damaged wheels or castors, oil leakage from the ram, or any other sign of damage. Should any of these be found, do not use the lift, and have it inspected and repaired by a qualified technician before putting back into use. If necessary, consult your Clarke dealer.

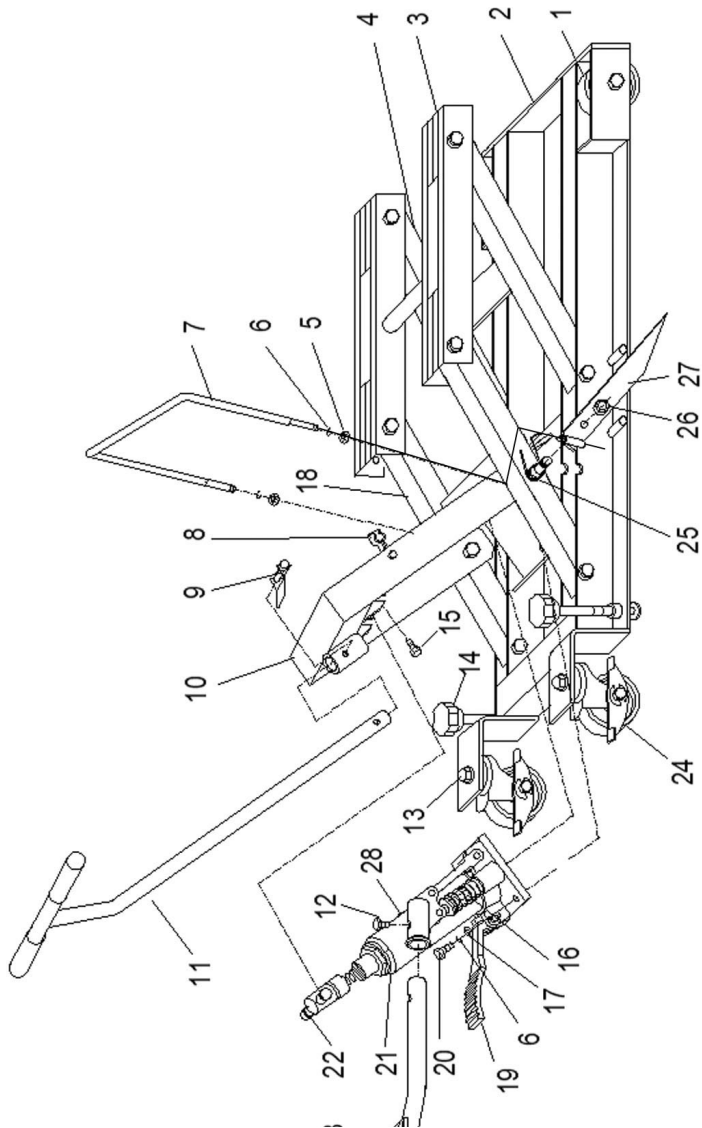
If the Warning label becomes illegible, have it replaced. Contact your Clarke dealer.



## PARTS LIST

ITEM No	DESCRIPTION	PART NUMBER	ITEM No	DESCRIPTION	PART NUMBER
1	FRONT WHEEL	TATACML401	15	SCREW	TATACML415
2	BASE ASSEMBLY	TATACML402	16	SPRING	TATACML416
3	SADDLE	TATACML403	17	FLAT WASHER	TATACML417
4	LEFT LIFTING ARM ASSEMBLY	TATACML404	18	RIGHT LIFTING ARM ASSEMBLY	TATACML418
5	NUT M8	TATACML405	19	RELEASE PEDAL	TATACML419
6	SPRING WASHER M8	TATACML406	20	BOLT M8 x 25	TATACML420
7	LOCKING BAR HANDLE	TATACML407	21	RAM UNIT	TATACML421
8	LOCKING BAR RETAINING CLIP	TATACML408	22	HINGE PIN	TATACML422
9	HANDLE SECURING PIN	TATACML409	23	OPERATING PEDAL	TATACML423
10	RAM FRAME	TATACML410	24	REAR WHEEL SET	TATACML424
11	T-HANDLE	TATACML411	25	TORSIONAL SPRING	TATACML425
12	BOLT M8 x 12	TATACML412	26	LOCK NUT M12	TATACML426
13	NUT M12	TATACML413	27	LOCKING BAR	TATACML427
14	STABILISER SCREW	TATACML414	28	OIL FILLER PLUG	TATACML428

# PART DIAGRAM



# DECLARATION OF CONFORMITY



**Clarke**<sup>®</sup>  
**INTERNATIONAL**

Hemnall Street, Epping, Essex CM16 4LG

## DECLARATION OF CONFORMITY

**This is an important document and should be retained.**

**We hereby declare that this product(s) complies with the following directive(s):**

*2006/42/EC Machinery Directive.*

**The following standards have been applied to the product(s):**

The technical documentation required to demonstrate that the product(s) meet(s) the requirement(s) of the aforementioned directive(s) has been compiled and is available for inspection by the relevant enforcement authorities.

The CE mark was first applied in: 2010

**Product Description:** ATV / Motor Cycle Lift (400Kg)  
**Model number(s):** CML4  
**Serial / batch Number:** N/A  
**Date of Issue:** 04/01/2011

**Signed:**

**J.A. Clarke**  
**Director**

# A SELECTION FROM THE VAST RANGE OF

# Clarke®

## QUALITY PRODUCTS

### AIR COMPRESSORS

From DIY to industrial, Plus air tools, spray guns and accessories.

### GENERATORS

Prime duty or emergency standby for business, home and leisure.

### POWER WASHERS

Hot and cold, electric and engine driven - we have what you need

### WELDERS

Mig, Arc, Tig and Spot. From DIY to auto/industrial.

### METALWORKING

Drills, grinders and saws for DIY and professional use.

### WOODWORKING

Saws, sanders, lathes, mortisers and dust extraction.

### HYDRAULICS

Cranes, body repair kits, transmission jacks for all types of workshop use.

### WATER PUMPS

Submersible, electric and engine driven for DIY, agriculture and industry.

### POWER TOOLS

Angle grinders, cordless drill sets, saws and sanders.

### STARTERS/CHARGERS

All sizes for car and commercial use.



**PARTS & SERVICE: 0208 988 7400**

**E-mail: [Parts@clarkeinternational.com](mailto:Parts@clarkeinternational.com) or [Service@clarkeinternational.com](mailto:Service@clarkeinternational.com)**

**SALES: UK 01992 565333 or Export 00 44 (0)1992 565335**

**Clarke® INTERNATIONAL** Hemnall Street, Epping, Essex CM16 4LG  
[www.clarkeinternational.com](http://www.clarkeinternational.com)