

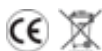
CLARKE®



FAN HEATER

Models: DEVIL 4035 • 4055 • 4090 • 4115

OPERATING & MAINTENANCE INSTRUCTIONS



0705

DECLARATION of CONFORMITY

We declare that this product complies with the following standards/directives:

- 73/23/EEC
- 98/336/EEC

Serial/Batch No: See Data Plate

signed



SPECIFICATIONS

Model Number	Devil 4035	Devil 4055	Devil 4090	Devil 4115
Input	230V 50hz 1ph	400V 50hz 3ph	400V 50hz 3ph	400V 50hz 3ph
Output Rating	1.5 - 3kW	2.5 - 5kW	3, 6 & 9kW	7.5 - 15kW
Absorbed Power	3kW	5kW	9kW	15kW
Fuse Rating	13A	15A	15A	25A
Dimensions (mm)	250x250x420	250x250x420	380x330x590	440x350x600
Air Output	400m ³ /h	400m ³ /h	800m ³ /h	1300m ³ /h
Noise Level	50dBL _{WA}	50dBL _{WA}	52dBL _{WA}	54dBL _{WA}
Gross Weight	7.5kg	8.0kg	13.5kg	15.5kg
Part No.	6925140	6925145	6925150	6525155

PARTS & SERVICE

PARTS & SERVICE TEL: 020 8988 7400

or e-mail as follows:

PARTS: Parts@clarkeinternational.com

SERVICE: Service@clarkeinternational.com

Waste electrical products should not be disposed of with household waste. Please dispose of at your local recycling facility.



Thank you for purchasing this Clarke Ceramic Heater.

Before attempting to operate the unit please read this instruction leaflet and carefully follow all directions given. By doing so you will ensure safe operation of the unit and you can also look forward to it providing you with long and trouble free service.

GUARANTEE

This CLARKE product is guaranteed against faults in manufacture for 12 months from purchase date. Please keep your receipt as proof of purchase.

This guarantee is invalid if the product has been found to have been abused in any way, or not used for the purpose for which it was intended, or to have been tampered with in any way. The reason for return must be clearly stated.

This guarantee does not affect your statutory rights.

SAFETY PRECAUTIONS

- NEVER use electrical equipment in the presence of combustible gases.
- This heater is for INDOOR USE ONLY.
- ALWAYS disconnect from the mains supply before moving or performing any maintenance tasks.
- ALWAYS use in an upright position ONLY.
- Inspect the mains cable regularly for signs of damage. DO NOT use if it is damaged, and ALWAYS keep it away from the source of heat.
- NEVER switch ON the heater if the guard is removed.
- NEVER locate the heater near combustible materials such as curtains, furniture etc. Allow at least 1 metre distance.
- DO NOT use this heater in a bathroom , shower room, in the vicinity of a swimming pool, or any wet environment.
- DO NOT locate the heater close to an adjacent wall or ceiling...allow a distance of at least 1 metre from a wall or ceiling.
- NEVER cover the heater, or block any of the vents.
- DO NOT use if the heater elements are damaged or broken.
- NEVER touch the heater for at least 15 minutes after it is switched off.
- DO NOT leave the heater unattended.
- If children are present.....ALWAYS use with a fireguard.
- Do NOT use in a paint spray booth or any explosive environment.
- Take care to ensure that the fan grille cannot be blocked by curtains or the like.

ELECTRICAL CONNECTIONS

Devil 4035

This model is provided with a 13 amp BS 1363 plug, fitted with a 13amp fuse and **MUST** be connected to a standard, 230 Volt (50Hz) electrical supply, preferably through an approved plug, or a suitably fused isolator switch.

WARNING! THIS APPLIANCE MUST BE EARTHED

IMPORTANT: The wires in the mains lead are coloured in accordance with the following code:

Green & Yellow Earth
Blue Neutral
Brown Live

As the colours of the flexible lead of this appliance may not correspond with the coloured markings identifying terminals in your plug, or your mains supply, proceed as follows:

- Connect GREEN & YELLOW coloured cord to plug terminal marked with a letter "E" or Earth symbol "⏏" or coloured GREEN or GREEN & YELLOW.
- Connect BROWN cord to terminal marked with a letter "L" or coloured RED.
- Connect BLUE cord to terminal marked with a letter "N" or coloured BLACK.

Fuse Rating

The fuse in the plug must be replaced with one of the same rating (13 amps) and this replacement must be ASTA approved to BS1362.

This appliance is fitted with a plug which is moulded on to the electric cable (i.e. non-rewireable) please note:

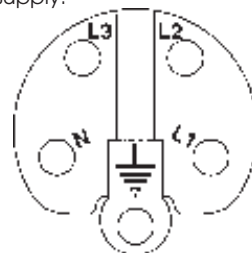
1. The plug must be thrown away if it is cut from the electric cable. There is a danger of electric shock if it is subsequently inserted into a socket outlet.
2. Never use the plug without the fuse cover fitted.
3. Should you wish to replace a detachable fuse carrier, ensure that the correct replacement is used (as indicated by marking or colour code).
4. Replacement fuse covers can be obtained from most DIY or electrical stores.

Devils 4055, 4090 & 4115

These machines **MUST** be connected to a **400 Volt, 3 PHASE 50Hz** supply through a suitably fused isolator switch. It **cannot** be operated from a single phase supply.

A trailing socket is provided and should be wired as follows:

- Connect the GREEN or GREEN & YELLOW coloured wire, to the terminal marked with the letter "E" or Earth symbol "⏏"
- Connect the BLACK wire to the 'N' or Neutral terminal.
- Connect the Remaining wires to the terminals marked "L1, L2 and L3.



WARNING!

IF YOU ARE IN ANY DOUBT ABOUT ELECTRICAL CONNECTIONS, CONSULT A QUALIFIED ELECTRICIAN.
DO NOT ATTEMPT ELECTRICAL CONNECTIONS or REPAIRS YOURSELF.

OPERATION

With the heater suitably sited (ensure you comply with all safety precautions), switch the heater ON to either half or full output. Model Devil 4090 has three settings - 1/3, 2/3 and full power (see specification chart on page 2).

A temperature control (F) is also provided for fine control of heat output.

Should the unit overheat, a thermal cutout will operate, shutting down the unit. Allow a period of time for the unit to cool (approx. 10 minutes) before pressing the reset using a suitable tool, and restarting.

When switching the unit OFF, it is strongly recommended that the unit is run in the FAN ONLY mode for approx. 10 minutes, in order to cool the elements, before switching OFF completely and finally disconnecting from the mains supply.

The thermal cutout may also operate if the heater is shut down without allowing to cool sufficiently. If, subsequently, the machine fails to start, press the reset using a suitable tool and try again.



- A. Off
- B. Fan only
- C. Half Power output*
- D. Full power output*
- E. Reset
- F. Temperature Control

* with temperature control at MAX.

NOTE: Model 4090 is provided with 3 heat settings: 1/3, 2/3 and full power

MAINTENANCE

Before performing any maintenance tasks, if the heater has been used, ALWAYS allow it to cool down for at least 10 minutes (by switching the heater OFF, but leave the fan running), then disconnect from the mains supply.

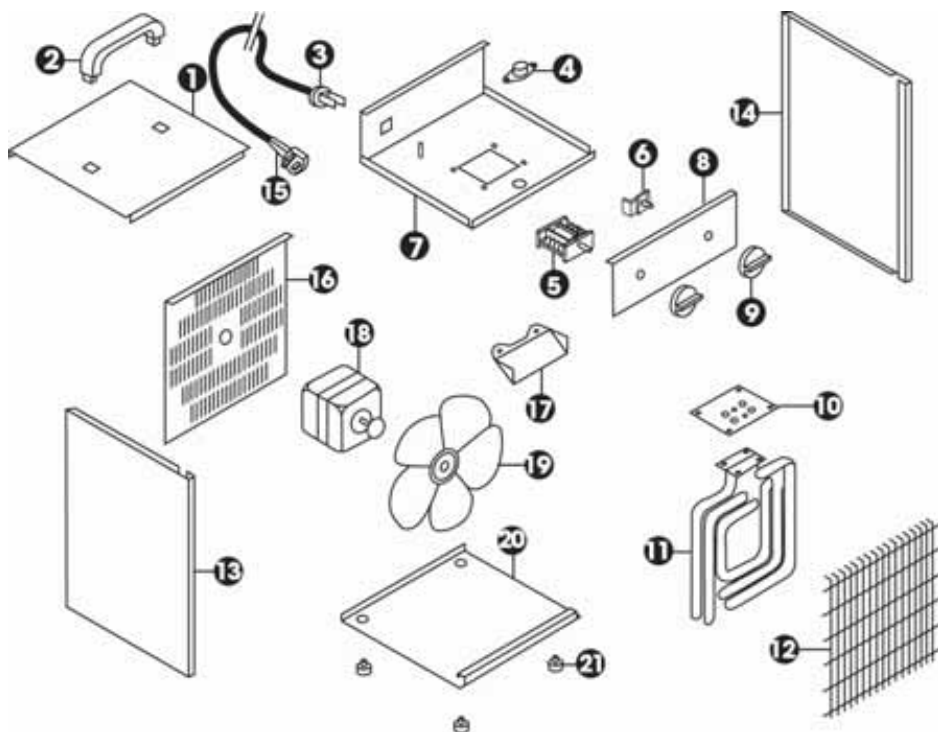
Periodically.

- Disconnect from the mains supply, and use compressed air to clean out the unit. ALWAYS wear a dust mask to perform this operation.

If there is any serious build up of dirt, remove the front and rear grilles and clean the fan and elements thoroughly with a damp cloth

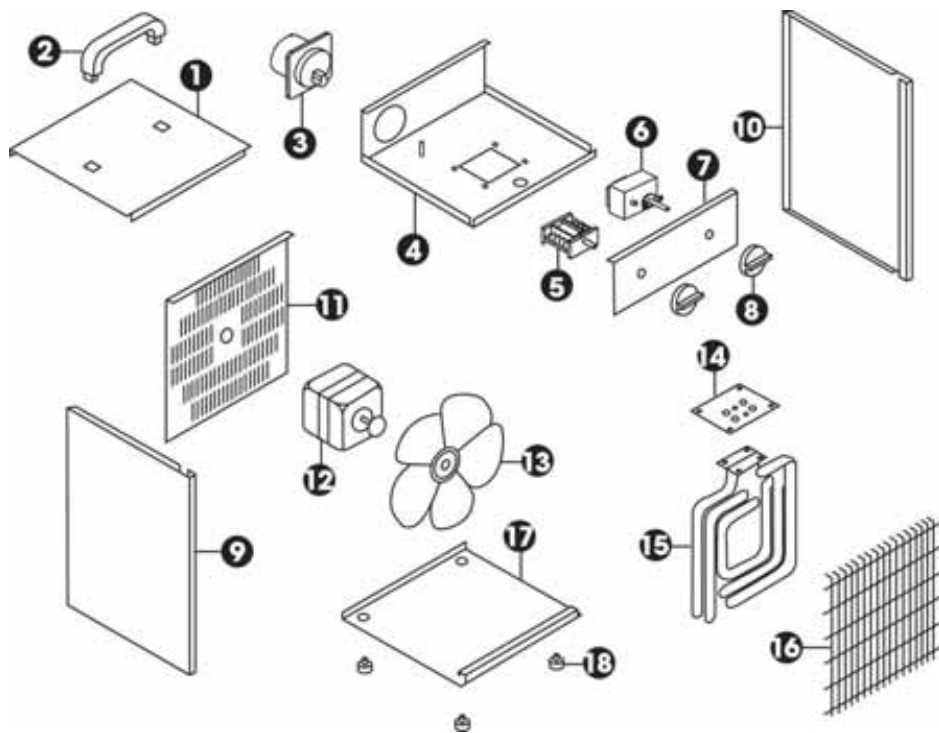
- Inspect the mains cable for damage. Heat damage will cause the cable to stiffen and crack. If this is found, have the cable replaced. Check cable routing and ensure it is well away from the heat source.

SPARE PARTS - DEVIL 4035 & 4055



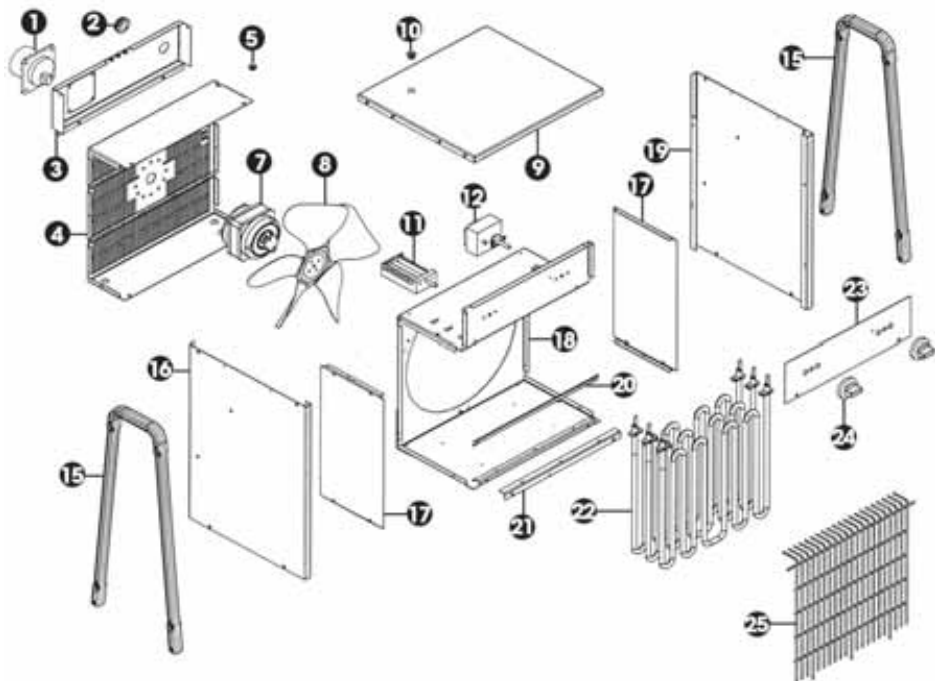
No.	Description	Part No.	No.	Description	Part No.
1	Top Plate	RP24113041	12	Front Grille	RP23115060
2	Handle	RP45050009	13	Side Panel - L	RP21115071
3	Grommet Assy	RP18480018	14	Side Panel - R	RP21115070
4	Thermal Cut-out	RP17120201	15	Mains cable	RP74250014
5	Switch Unit	RP17251108	16	Rear Grille	RP21113350
6	Temp. Control	RP17120100	17	Heat Shield	RP25112074
7	Mounting Box	RP21113002	18	Motor	RP17801000
8	Front Panel	RP29430410	19	Fan	RP17802322
9	Knob	RP18508008	20	Base	RP21115012
10	Insulation Plate	RP27450005	21	Foot	RP45071021
11	Heating Element	RP17141003			

SPARE PARTS - DEVIL 4055



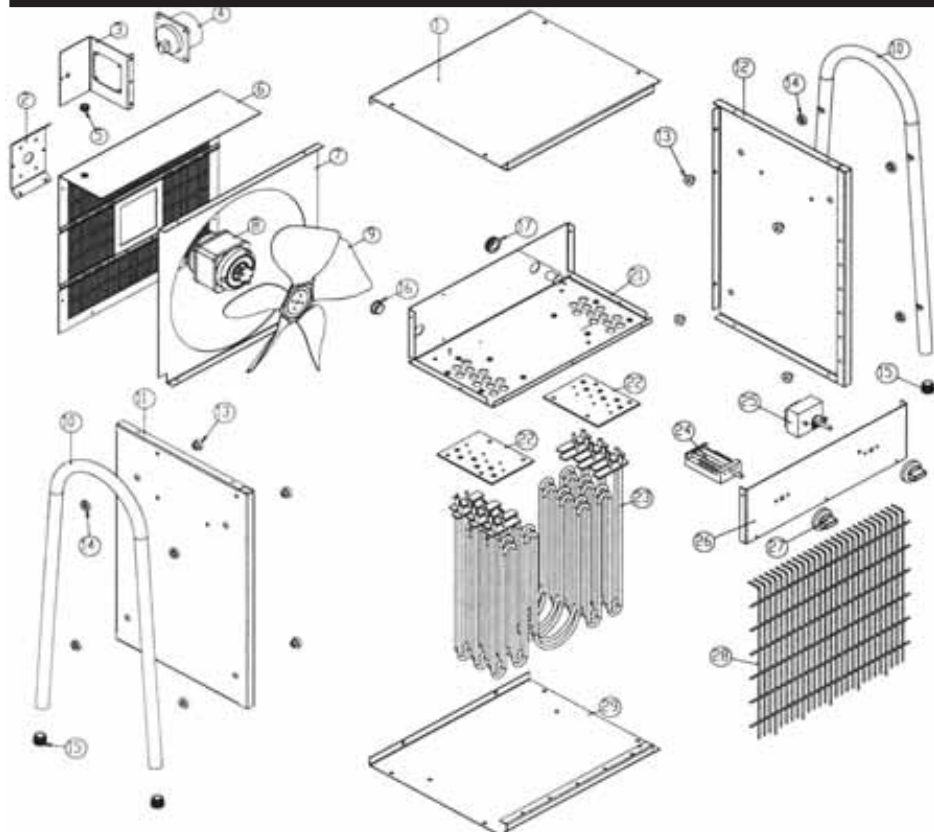
No.	Description	Part No.	No.	Description	Part No.
1	Top Plate	RP24115041	11	Rear Grille	RP21113350
2	Handle	RP45050009	12	Motor	RP17801004
3	Plug Assy 16A	RP17110055	13	Fan	RP17802526
4	Mounting Box	RP21115002	14	Insulation Plate	RP27450003
5	Switch Unit	RP17251108	15	Heating Element	RP17141003
6	Temp. Control	RP17120105	16	Front Grille	RP23115060
7	Front Panel	RP29440410	17	Heat Shield	RP25112074
8	Knob	RP18508008	18	Base	RP21115012
9	Side Panel - L	RP21115071	19	Foot	RP45071021
10	Side Panel - R	RP21115070	-	Trailing Socket	RP17110053

SPARE PARTS - DEVIL 4090



No.	Description	Part No.	No.	Description	Part No.
1	Plug Assy 16A	RP17110055	16	Side Panel - L	RP21221253
2	Grommet	RP44470020	17	Heat Shield Bkt	RP21221100
3	Mounting Plate	RP21221090	18	Mounting Box	RP21221002
4	Rear Grille	RP21220280	19	Side Panel - R	RP21221252
5	Grommet	RP44470029	20	Retainer Bkt	RP21220120
7	Motor	RP17801017	21	Grille Fittings	RP21221162
8	Fan	RP17802626	22	Heating Element	RP17141022
9	Top Panel	RP24221232	23	Front Panel	RP29893410
10	Plug	RP44610012	24	Knob	RP18508008
11	Switch Unit	RP17251111	25	Front Grille	RP23221150
12	Temp. Control	RP17120105	-	Trailing Socket	RP17110053
15	Handle	RP45220260			

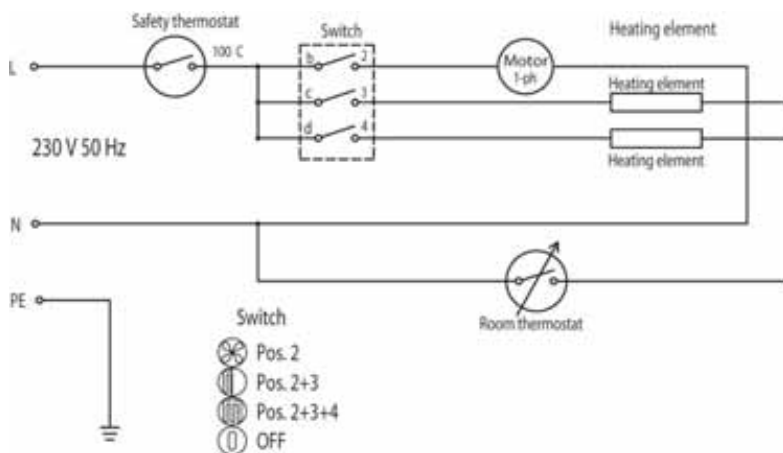
SPARE PARTS - DEVIL 4115



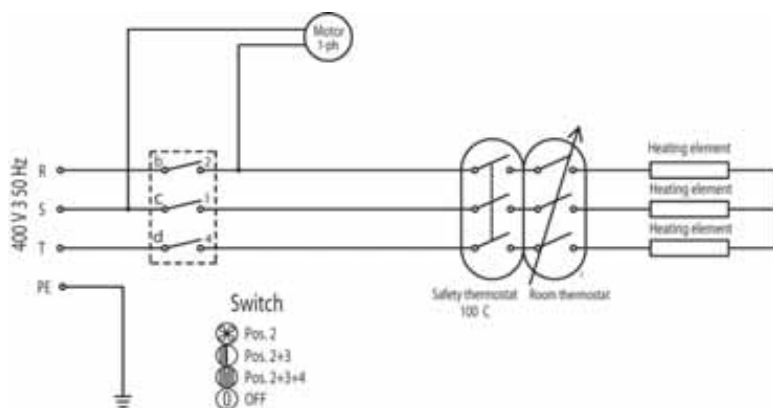
No.	Description	Part No.	No.	Description	Part No.
1	Top Plate	RP24119602	16	Rubber Grommet	RP18480022
2	Motor Fittings	RP22119172	17	Grommet	RP44470020
3	Mounting Bkt	RP22119015	18	Fuse	RP17172041
4	Appliance Inlet 32A	RP17110056	19	Fuse Holder	RP17160011
5	Grommet	RP44470015	20	Grommet	RP44470008
6	Rear Grille	RP21119157	21	Mounting Box	RP21119601
7	Fan Cowl	RP22201015	22	Insulation Sheet	RP27450006
8	Motor	RP17801002	23	Heat Element	RP17141000
9	Fan	RP17802934	24	Switch Assy	RP17251103
10	Pipe Holder	RP25119083	25	Temp. Regulator	RP17120105
11	Side Plate Left	RP23119632	26	Front Panel	RP29505410
12	Side Plate Right	RP23119622	27	Knob	RP18508008
13	Insulation Bush Male Vb	RP44550009	28	Front Grille	RP23119166
14	Insulation Bush Male Vb	RP44550010	29	Base	RP23119612
15	Foot	RP44610004	-	Trailing Socket 32A	RP17110052

WIRING DIAGRAMS

Devil 4035

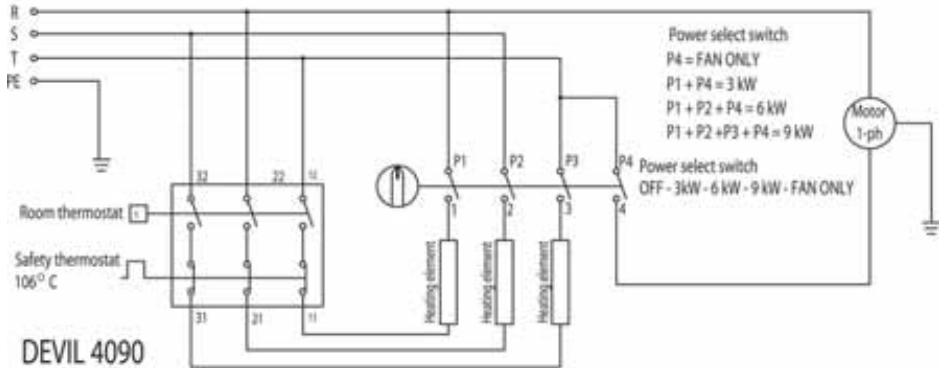


Devil 4055



Devil 4090

400 V 3 50 Hz



Devil 4115

