

Clarke®



FAN HEATER

Models: DEVIL 4035 • 4055 • 4090 • 4115

OPERATING & MAINTENANCE INSTRUCTIONS



1008

Clarke[™]

INTERNATIONAL

DECLARATION of CONFORMITY

We declare that this product complies with the following standards/directives:

- 73/23/EEC
- 98/336/EEC

Serial/Batch No: See Data Plate

signed



SPECIFICATIONS

Model Number	Devil 4035	Devil 4055	Devil 4090	Devil 4115
Input	230V 50hz 1ph	400V 50hz 3ph	400V 50hz 3ph	400V 50hz 3ph
Output Rating	1.5 - 3kW	2.5 - 5kW	3, 6 & 9kW	7.5 - 15kW
Absorbed Power	3kW	5kW	9kW	15kW
Fuse Rating	13A	15A	15A	25A
Dimensions (mm)	250x250x420	250x250x420	380x330x590	440x350x600
Air Output	400m ³ /h	400m ³ /h	800m ³ /h	1300m ³ /h
Noise Level	50dB _{LWA}	50dB _{LWA}	52dB _{LWA}	54dB _{LWA}
Gross Weight	7.5kg	8.0kg	13.5kg	15.5kg
Part No.	6925140	6925145	6925150	6525155

PARTS & SERVICE

PARTS & SERVICE TEL: 020 8988 7400

or e-mail as follows:

PARTS: Parts@clarkeinternational.com

SERVICE: Service@clarkeinternational.com

Waste electrical products should not be disposed of with household waste. Please dispose of at your local recycling facility.

© Copyright Clarke International. All rights reserved Feb. 2002



Thank you for purchasing this Clarke Ceramic Heater.

Before attempting to operate the unit please read this instruction leaflet and carefully follow all directions given. By doing so you will ensure safe operation of the unit and you can also look forward to it providing you with long and trouble free service.

GUARANTEE

This CLARKE product is guaranteed against faults in manufacture for 12 months from purchase date. Please keep your receipt as proof of purchase.

This guarantee is invalid if the product has been found to have been abused in any way, or not used for the purpose for which it was intended, or to have been tampered with in any way. The reason for return must be clearly stated.

This guarantee does not affect your statutory rights.

SAFETY PRECAUTIONS

- NEVER use electrical equipment in the presence of combustible gases.
- This heater is for INDOOR USE ONLY.
- ALWAYS disconnect from the mains supply before moving or performing any maintenance tasks.
- ALWAYS use in an upright position ONLY.
- Inspect the mains cable regularly for signs of damage. DO NOT use if it is damaged, and ALWAYS keep it away from the source of heat.
- NEVER switch ON the heater if the guard is removed.
- NEVER locate the heater near combustible materials such as curtains, furniture etc. Allow at least 1 metre distance.
- DO NOT use this heater in a bathroom , shower room, in the vicinity of a swimming pool, or any wet environment.
- DO NOT locate the heater close to an adjacent wall or ceiling...allow a distance of at least 1 metre from a wall or ceiling.
- NEVER cover the heater, or block any of the vents.
- DO NOT use if the heater elements are damaged or broken.
- NEVER touch the heater for at least 15 minutes after it is switched off.
- DO NOT leave the heater unattended.
- If children are present.....ALWAYS use with a fireguard.
- Do NOT use in a paint spray booth or any explosive environment.
- Take care to ensure that the fan grille cannot be blocked by curtains or the like.

ELECTRICAL CONNECTIONS

Devil 4035

This model is provided with a 13 amp BS 1363 plug, fitted with a 13amp fuse and MUST be connected to a standard, 230 Volt (50Hz) electrical supply, preferably through an approved plug , or a suitably fused isolator switch.

WARNING! THIS APPLIANCE MUST BE EARTHED

IMPORTANT: The wires in the mains lead are coloured in accordance with the following code:

Green & Yellow Earth
Blue Neutral
Brown Live

As the colours of the flexible lead of this appliance may not correspond with the coloured markings identifying terminals in your plug, or your mains supply, proceed as follows:

- Connect GREEN & YELLOW coloured cord to plug terminal marked with a letter "E" or Earth symbol "⏏" or coloured GREEN or GREEN & YELLOW.
- Connect BROWN cord to terminal marked with a letter "L" or coloured RED.
- Connect BLUE cord to terminal marked with a letter "N" or coloured BLACK.

Fuse Rating

The fuse in the plug must be replaced with one of the same rating (13 amps) and this replacement must be ASTA approved to BS1362.

This appliance is fitted with a plug which is moulded on to the electric cable (i.e. non-rewireable) please note:

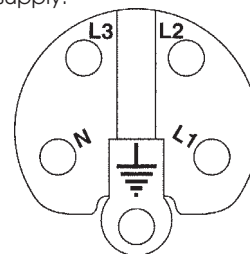
1. The plug must be thrown away if it is cut from the electric cable. There is a danger of electric shock if it is subsequently inserted into a socket outlet.
2. Never use the plug without the fuse cover fitted.
3. Should you wish to replace a detachable fuse carrier, ensure that the correct replacement is used (as indicated by marking or colour code).
4. Replacement fuse covers can be obtained from most DIY or electrical stores.

Devils 4055, 4090 & 4115

These machines MUST be connected to a **400 Volt, 3 PHASE 50Hz** supply through a suitably fused isolator switch. It **cannot** be operated from a single phase supply.

A trailing socket should be wired as follows:

- Connect the GREEN or GREEN & YELLOW coloured wire, to the terminal marked with the letter "E" or Earth symbol "⏏"
- Connect the BLACK wire to the 'N' or Neutral terminal.
- Connect the Remaining wires to the terminals marked 'L1, L2 and L3.



WARNING!
IF YOU ARE IN ANY DOUBT ABOUT ELECTRICAL CONNECTIONS, CONSULT A
QUALIFIED ELECTRICIAN.
DO NOT ATTEMPT ELECTRICAL CONNECTIONS or REPAIRS YOURSELF.

OPERATION

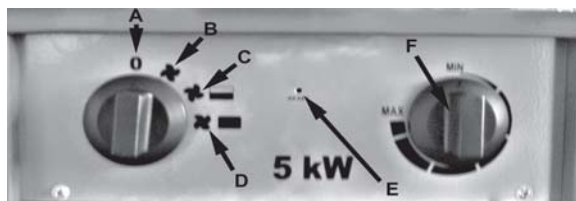
With the heater suitably sited (ensure you comply with all safety precautions), switch the heater ON to either half or full output. Model Devil 4090 has three settings - 1/3, 2/3 and full power (see specification chart on page 2).

A temperature control (F) is also provided for fine control of heat output.

Should the unit overheat, a thermal cutout will operate, shutting down the unit. Allow a period of time for the unit to cool (approx. 10 minutes) before pressing the reset using a suitable tool, and restarting.

When switching the unit OFF, it is strongly recommended that the unit is run in the FAN ONLY mode for approx. 10 minutes, in order to cool the elements, before switching OFF completely and finally disconnecting from the mains supply.

The thermal cutout may also operate if the heater is shut down without allowing to cool sufficiently. If, subsequently, the machine fails to start, press the reset using a suitable tool and try again.



- A. Off
- B. Fan only
- C. Half Power output*
- D. Full power output*
- E. Reset
- F. Temperature Control

* with temperature control at MAX.

NOTE: Model 4090 is provided with 3 heat settings: 1/3, 2/3 and full power

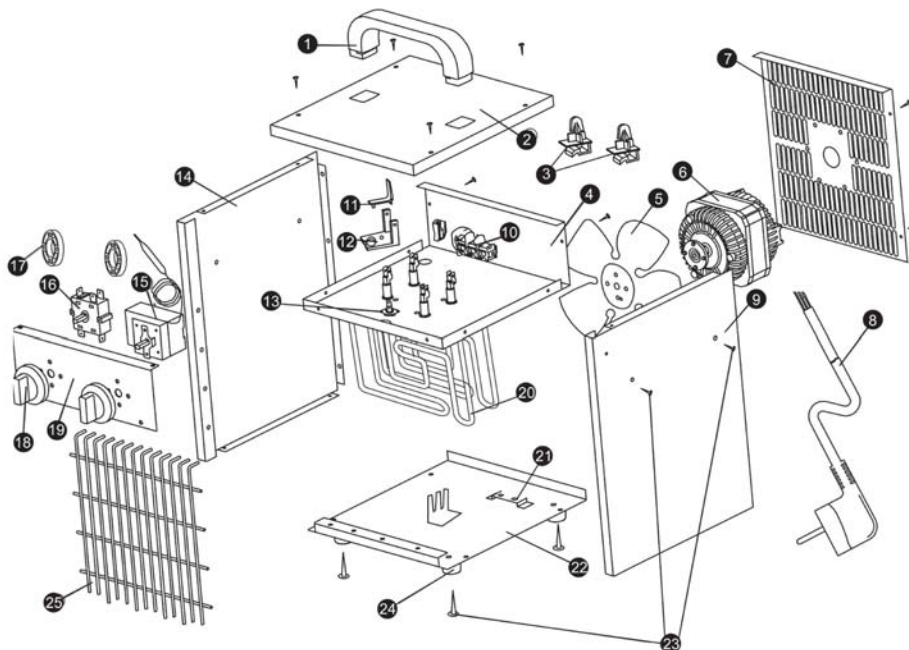
MAINTENANCE

Before performing any maintenance tasks, if the heater has been used, ALWAYS allow it to cool down for at least 10 minutes (by switching the heater OFF, but leave the fan running), then disconnect from the mains supply.

Periodically.

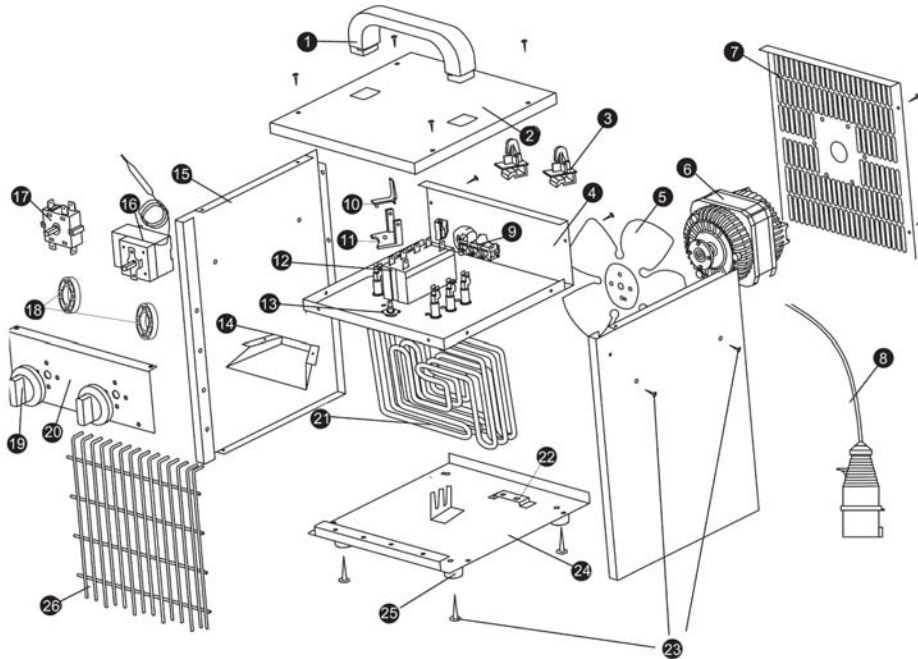
- Disconnect from the mains supply, and use compressed air to clean out the unit. ALWAYS wear a dust mask to perform this operation.
If there is any serious build up of dirt, remove the front and rear grilles and clean the fan and elements thoroughly with a damp cloth
- Inspect the mains cable for damage. Heat damage will cause the cable to stiffen and crack. If this is found, have the cable replaced. Check cable routing and ensure it is well away from the heat source.

SPARE PARTS - DEVIL 4035



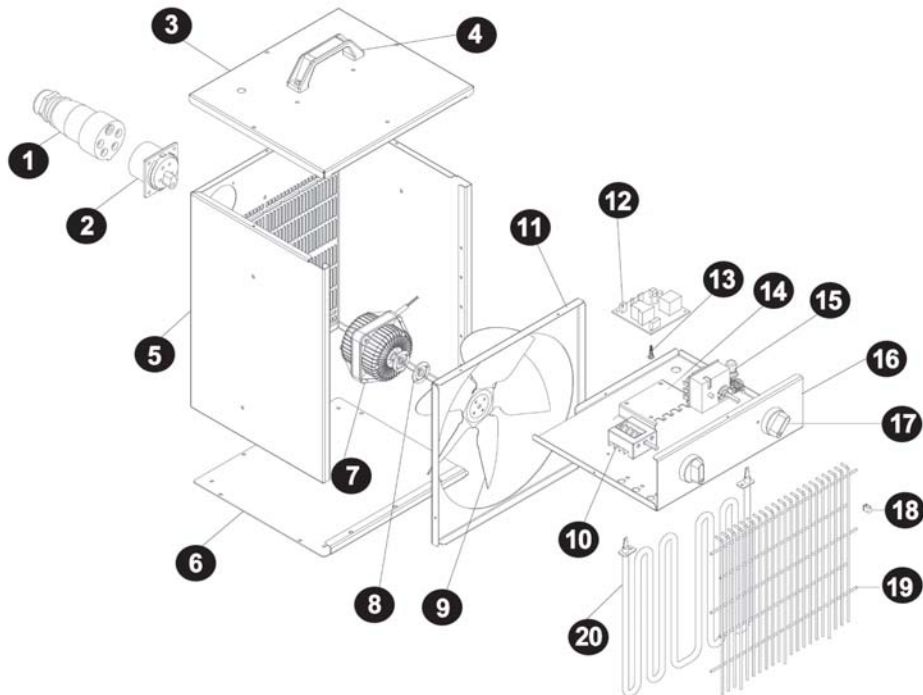
No.	Description	Part No.	No.	Description	Part No.
1	HANDLE	RPC01002	13	SAFETY THERMOSTAT	RPC36007
2	UPPER PANEL	RPC63007	14	RIGHT PANEL	RPC63010
3	SENSOR HOLDER	RPC01006	15	ROOM THERMOSTAT	RPC800214
4	HEATING ELEMENT HOLDER	RPC62002	16	SWITCH	RPC320034
5	FAN	RPC800202	17	FIXING RING	RPC01005
6	MOTOR	RPC800205	18	KNOB	RPC010142
7	BACK GUARD	RPC63008	19	CONTROL PANEL	RPC63011
8	POWER CABLE WITH PLUG	RPC800208	20	HEATING ELEMENT	RPC07004
9	LEFT PANEL	RPC63009	21	ROOM THERMOSTAT BRACKET	RPC63012
10	TERMINAL BOARD	RPC800209	22	BOTTOM BOARD	RPC63012
11	SAFETY THERMOSTAT BRACKET (part. 1/2)	RPC01007	24	FOOT	RPC02001
12	SAFETY THERMOSTAT BRACKET (part. 2/2)	RPC01008	25	FRONT GRILL	RPC24002

SPARE PARTS - DEVIL 4055



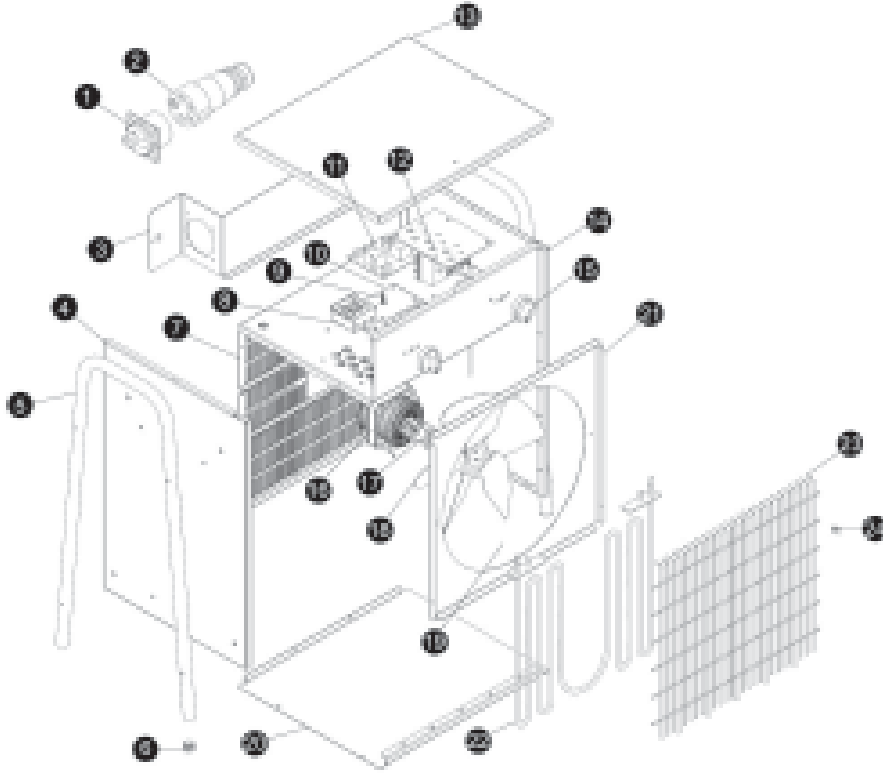
No.	Description	Part No.	No.	Description	Part No.
1	HANDLE	RPC01002	12	RELAY	RPC800218
2	UPPER PANEL	RPC63007	13	SAFETY THERMOSTAT	RPC800212
3	SENSOR HOLDER	RPC01006	14	INSULATING COVER	RPC63014
4	HEATING ELEMENT HOLDER	RPC62003	15	LEFT PANEL	RPC63009
5	FAN	RPC800203	15	RIGHT PANEL	RPC63010
6	MOTOR	RPC800206	16	ROOM THERMOSTAT	RPC800215
7	BACK GUARD	RPC63008	17	SWITCH	RPC32002
8	POWER CABLE WITH PLUG	RPC63008	18	FIXING RING	RPC01005
8	4 PIN PLUG	RPC800194	19	KNOB	RPC010142
9	TERMINAL BOARD	RPC800209	20	CONTROL PANEL	RPC63013
10	SAFETY THERMOSTAT BRACKET (part. 1/2)	RPC01007	21	HEATING ELEMENT	RPC800217
11	SAFETY THERMOSTAT BRACKET (part. 2/2)	RPC01008	22	ROOM THERMOSTAT BRACKET	RPC63012
			24	BOTTOM PANEL	RPC63012
			25	FOOT	RPC02001
			26	FRONT GUARD	RPC24002

SPARE PARTS - DEVIL 4090



No.	Description	Part No.	No.	Description	Part No.
1	TRAILING SOCKET	RPC20430019	11	AIR INLET	RPC20620929
2	FIXED PLUG	RPC20430023	12	ELECTRONIC BOARD	RPC20470026
3	UPPER PANEL	RPC20630268	13	SPACER	RPC20010068
4	HANDLE	RPC20010007	14	BOARD SUPPORT	RPC20620930
5	CASING PANEL	RPC20630269	15	THERMOSTAT	RPC20360024
6	BASE PANEL	RPC20630267	16	CONTROL PANEL	RPC20620925
7	MOTOR	RPC20400069	17	KNOB	RPC20320024
8	JOINT	RPC20010038	18	CLIP	RPC20230254
9	FAN	RPC20200021	19	FRONT GUARD	RPC20240040
10	4 POSITION SWITCH	RPC20320025	20	HEATING ELEMENT	RPC20070028

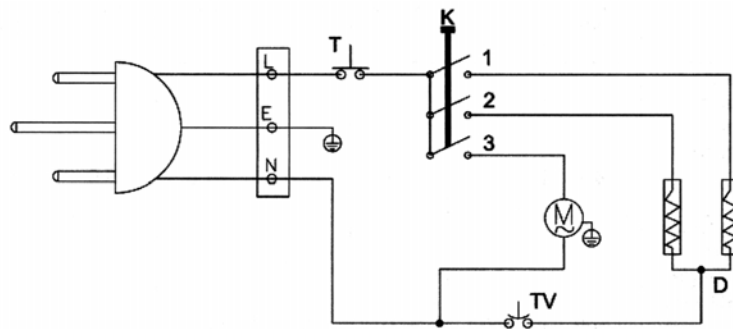
SPARE PARTS - DEVIL 4115



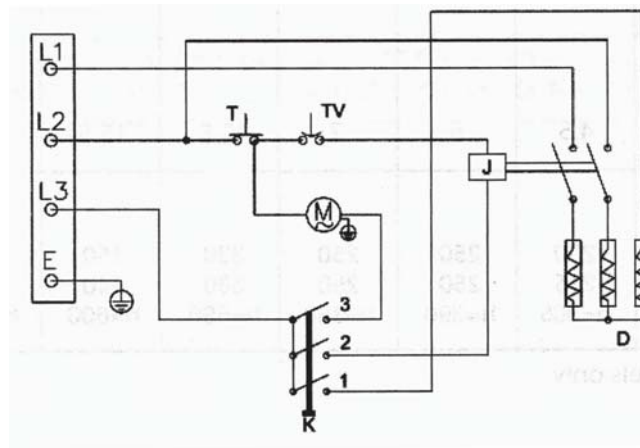
No.	Description	Part No.	No.	Description	Part No.
1	FIXED PLUG	RPC20430020	13	UPPER PANEL	RPC20630277
2	TRAILING SOCKET	RPC20430021	14	RIGHT SIDE PANEL	RPC20630280
3	PLUG BRACKET	RPC20620956	15	KNOB	RPC20320024
4	LEFT SIDE PANEL	RPC20630279	16	MOTOR	RPC20400069
5	HANDLE	RPC20610117	17	JOINT	RPC20010038
6	CAP	RPC20020005	18	FAN	RPC20200067
7	CONTROL PANEL	RPC20620957	19	INSULATING PANEL	RPC20060021
8	3 POSITION SWITCH	RPC20320026	20	BASE PANEL	RPC20630278
9	SPACER	RPC20010068	21	AIR INLET	RPC20620955
10	BOARD SUPPORT	RPC20620930	22	HEATING ELEMENT	RPC20070027
11	ELECTRONIC BOARD	RPC20470026	23	FRONT GUARD	RPC20240041
12	TEMP. REGULATOR	RPC20360024			

WIRING DIAGRAMS

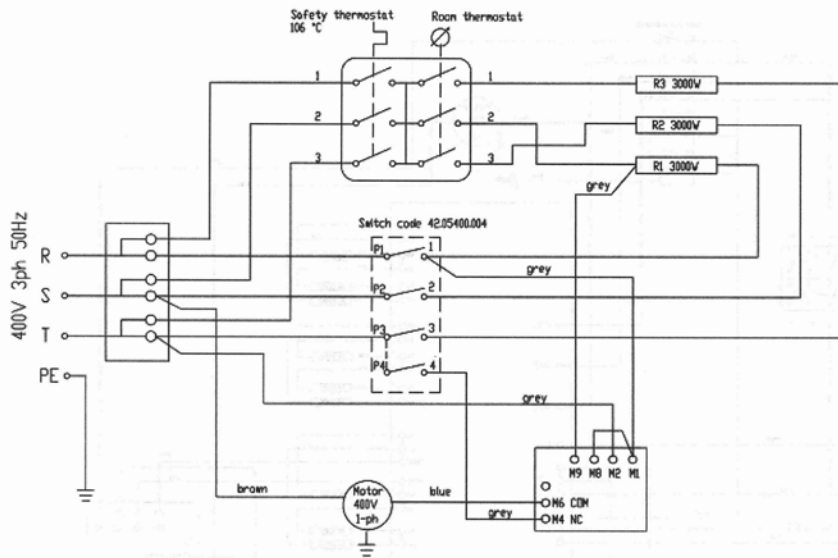
Devil 4035



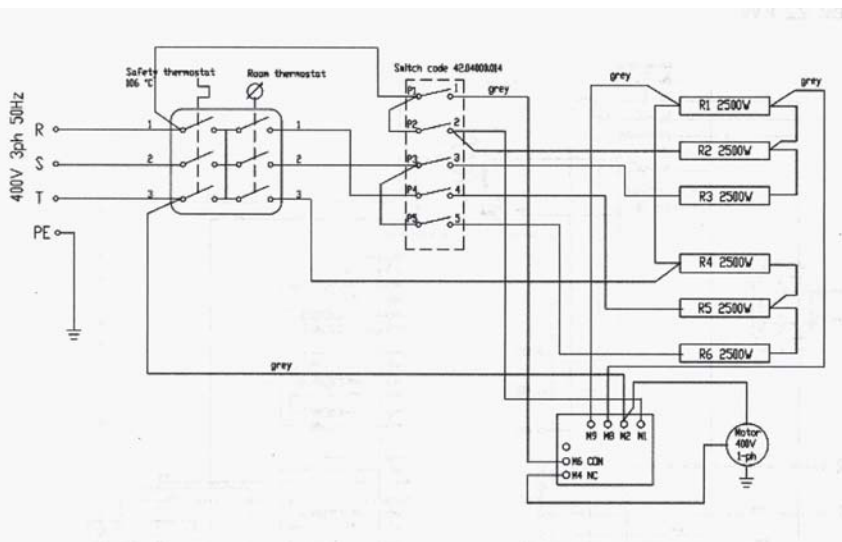
Devil 4055



Devil 4090



Devil 4115



A SELECTION FROM THE VAST RANGE OF

Clarke®

QUALITY PRODUCTS



AIR COMPRESSORS
From DIY to industrial, Plus air tools,
spray guns and accessories.

GENERATORS
Prime duty or emergency standby
for business, home and leisure.

POWER WASHERS
Hot and cold, electric and engine
driven - we have what you need

WELDERS
Mig, Arc, Tig and Spot.
From DIY to auto/industrial.

METALWORKING
Drills, grinders and saws for DIY
and professional use.

WOODWORKING
Saws, sanders, lathes, mortisers
and dust extraction.

HYDRAULICS
Cranes, body repair kits,
transmission jacks for all types of
workshop use.

WATER PUMPS
Submersible, electric and engine driven
for DIY, agriculture and industry.

POWERTOOLS
Angle grinders, cordless drill sets,
saws and sanders..

STARTERS/CHARGERS
All sizes for car and commercial use.



For spare parts and servicing, please contact your nearest dealer, or Clarke International on

020 8988 7400

e-mail: Parts@clarkeinternational.com e-mail: Service@clarkeinternational.com

Clarke INTERNATIONAL
Hemnal Street, Epping, Essex CM16 4LG