

# Clarke®



## 24V DC - 1/2" SQUARE DRIVE IMPACT WRENCH KIT

Model No: CIR24B

Part No 4500622

## OPERATING & MAINTENANCE INSTRUCTIONS



---

## INTRODUCTION

---

Thank you for purchasing this CLARKE Impact Wrench.

Before attempting to operate the machine, it is essential that you read this manual thoroughly and carefully follow all instructions given. In doing so you will ensure the safety of yourself and that of others around you, and you can also look forward to the product giving you long and satisfactory service.

---

## GUARANTEE

---

This CLARKE product is guaranteed against faulty manufacture for a period of 12 months from the date of purchase. Please keep your receipt as proof of purchase.

This guarantee is invalid if the product is found to have been abused or tampered with in any way, or not used for the purpose for which it was intended.

Faulty goods should be returned to their place of purchase, no product can be returned to us without prior permission.

This guarantee does not effect your statutory rights.

---

## SPECIFICATIONS

---

Feature	Specification
Weight (including battery cartridge)	2.5 kg
Dimensions (l x w x h) mm	250 x 98 x 258
No-load speed	2300 rpm nominal
Max tightening torque	200Nm (2039kg/cm)
Input voltage	230V/50Hz
Output voltage	DC-24V
Battery type	Nickel-Cadmium
Battery pack capacity	1.3 Amp/hr

Please note that the details and specifications contained herein, are correct at the time of going to print. However, CLARKE International reserve the right to change specifications at any time without prior notice.

---

## COMPONENT INVENTORY

---

The CIR24B is a heavy-duty, cordless impact wrench which is rechargeable using the mains power adaptor.

Upon receipt, check the components against the following list. Any damage or deficiency should be reported to your CLARKE dealer immediately.

- 1 x 24V Impact Wrench
- 2 x 24V Battery Packs
- 1 x Charger, Class II insulated (Double Insulated)
- 1 x 17mm Socket, Chrome Vanadium, black
- 1 x 19mm Socket, Chrome Vanadium, black
- 1 x 21mm Socket, Chrome Vanadium, black
- 1 x 23mm Socket, Chrome Vanadium, black
- 1 x Moulded Carry Case

---

## COMPONENT IDENTIFICATION

---

1. 1/2" Square Socket Drive
2. Gear Housing Battery Release
3. Ventilation Slots
4. Forward/Reverse Switch-bar
5. Variable Speed Trigger Switch
6. Padded Hand Grip
7. Battery Release Button
8. Battery Pack



---

# SAFETY PRECAUTIONS

---

## WORK ENVIRONMENT

1. Keep the work area clean and tidy.
2. Dress appropriately - do not wear loose clothing or jewellery. Tie long hair out of the way.
3. Keep children and visitors away - do not let children handle the wrench.
4. DO NOT use in damp or wet conditions. Keep the work area well lit. Do not use where a risk of fire or explosion is present.
5. Although the impact wrench may be used outdoors, DO NOT leave it exposed to the elements. Avoid direct sunlight, direct heat, rain/moisture etc.
6. Always keep body and clothing dry. Never work in damp area without adequate insulation against electric shock.
7. Do not fit the wrench to a stand or clamping device that may damage it.

## GENERAL USE

1. This product vibrates during use. Vibration may be harmful to your hands or arms. Stop using the machine if discomfort, a tingling feeling or pain occurs and seek medical advice before resuming use.
2. ALWAYS use ear defenders.
3. ALWAYS stay alert and use common sense - do not use this product when you are tired or under the influence of alcohol or medication.
4. ALWAYS ensure that the socket is correctly installed before switching on.
5. ALWAYS only use sockets which are specified for impact wrench use.
6. ALWAYS ensure the workpiece is firmly secured leaving both hands free to control the impact wrench.
7. ALWAYS store this product in a dry, secure place out of reach of children or untrained users.
8. ALWAYS keep all equipment dry especially the battery & battery charger.
9. ALWAYS keep metal objects such as coins, keys, nails or other small metal objects which could make a connection from one terminal to another, away from the battery cartridge. A short circuit across the terminals could cause sparks, burns or start a fire.
10. ALWAYS ensure the machine has stopped before putting it down after use.
11. ALWAYS set the forward/reverse Switch-bar to neutral when changing bits or when the machine is not required for immediate use. This will avoid accidental starting.

12. ALWAYS check for any damage or any condition that could affect its operation. Any damaged part should be properly repaired.
13. NEVER force or misuse the machine. It will do a better and safer job at the rate for which it was designed.
14. NEVER use this product if it is defective / operating abnormally.
15. NEVER carry the machine with your finger on the trigger.
16. NEVER abuse the mains cable of the battery charger. Never yank the cable to disconnect it from the socket. Keep the cable away from sharp edges/hot surfaces.
17. NEVER over-reach. Keep proper footing and balance at all times.
18. NEVER use this product for any other purpose than that described in this booklet.
19. NEVER carry out any alterations or modifications to this product.
20. NEVER attempt to wipe the machine clean with solvents. Wipe plastic parts with a soft cloth, slightly dampened with soapy water.
21. NEVER attempt any repairs yourself. If you have a problem with this product contact your local CLARKE dealer.

## **IMPACT WRENCH SAFETY INSTRUCTIONS**

1. ALWAYS use the impact wrench in the manner and for the functions described in these instructions.
2. ALWAYS ensure the machine is not moving with the switchbar in the centre position when changing sockets etc. Use only Impact Wrench sockets....DO NOT use standard sockets.
3. ALWAYS finish tightening wheel nuts or engine parts with a torque wrench or suitable spanner to the correct torque as recommended by the vehicle manufacturer.
4. ALWAYS avoid excessive use of the wrench. When tightening a nut or bolt, never allow the wrench to impact more than 8 times - to avoid over tightening - 3 to 4 impacts is normally sufficient.
5. ALWAYS use outdoor extension leads if working outdoors. Always use an approved cable extension suitable for the power rating of the battery charger (see specifications), the conductor size should also be at least the same size or larger than that on the charger. When using a cable reel, always unwind the cable completely.

Please keep these instructions in a safe place for future reference.

# ELECTRICAL CONNECTIONS



**WARNING! Read these electrical safety instructions thoroughly before connecting the product to the mains supply.**

Before switching the product on, make sure that the voltage of your electricity supply is the same as that indicated on the rating plate. This product is designed to operate on 230VAC 50Hz. Do not connect it to any other power source.

This product may be fitted with a non-rewireable plug. If it is necessary to change the fuse in the plug, the fuse cover must be refitted. If the fuse cover becomes lost or damaged, the plug must not be used until a suitable replacement is obtained.

If the plug has to be changed because it is not suitable for your socket, or due to damage, it should be cut off and a replacement fitted, following the wiring instructions shown below. The old plug must be disposed of safely, as insertion into a mains socket could cause an electrical hazard.



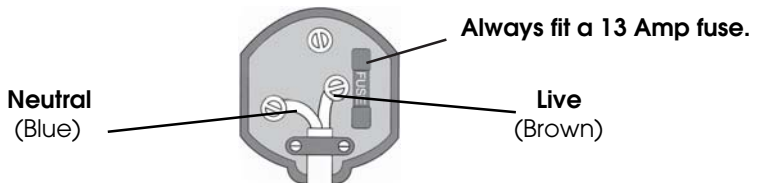
**WARNING!** The wires in the power cable of this product are coloured in accordance with the following code:

**Blue = Neutral      Brown = Live**

If the colours of the wires in the power cable of this product do not correspond with the terminal markings of your plug, proceed as follows.

- **The wire which is coloured Blue must be connected to the terminal which is marked N or coloured Black.**
- **The wire which is coloured Brown must be connected to the terminal which is marked L or coloured Red.**

**Plug must be BS1363/A approved.**



**Ensure that the outer sheath of the cable is firmly held by the clamp**

We strongly recommend that this product is connected to the mains supply via a Residual Current Device (RCD).

If in doubt, consult a qualified electrician. DO NOT attempt repairs yourself.



This symbol indicates that this is a Class II product and does not require an earth connection.

## BATTERY CHARGING

1. The new battery pack will require charging before use.
2. Squeeze the battery release buttons on either side of the battery pack and pull gently down to disengage the battery pack from the wrench.
3. Insert the battery pack into the charger, as shown, noting it will only fit one way.
4. Plug the charger into a 230v (mains) power supply and switch ON.
  - The green light illuminates to show the unit is connected to the mains supply. The red light illuminates when the battery is charged, and flashes while charging (faster if the battery is either flat or faulty).
  - If charging does not take place, ensure all connections are clean and free of grease etc.
  - If the red charging light will only stay on for a few moments, the battery pack is likely to be defective and it must be replaced.
  - When charging a new battery pack, it may initially not accept full charge. This is common & does not indicate a fault. It can be recharged fully after it has been discharged a couple of times.
5. After charging, switch off and unplug the charger from the power supply.
6. Remove the battery pack from the charger and slide it back into the wrench until it clips into place. The battery pack should slide in easily. If the battery pack is not to be fitted immediately, ensure that the metal contacts are protected so as to avoid the possibility of a short circuit which would cause damage.
  - Remember to avoid extremes of heat or cold when charging. Avoid temperatures outside the range of **Minimum 4°C /Maximum 50°C**. Avoid placing batteries in direct strong sunlight or other heat source.



NOTE: Ni-Cad batteries as used in Clarke cordless power tools should be given a full charge when first supplied new. Maximum battery performance will be achieved after approximately 5 complete charge/discharge cycles.

- The battery should be fully discharged before recharging in order to achieve its optimum performance. Constant topping up after only a small amount of charge has been used will, in effect, reduce its capacity.
- Ni-Cad batteries will slowly lose their power whilst in storage. Do not leave the batteries in this state for any length of time.

---

## OPERATION

---



**CAUTION: ALWAYS BE SURE THAT THE TOOL IS SWITCHED OFF BEFORE ATTACHING OR REMOVING A SOCKET. ALWAYS TAKE CARE TO USE THE CORRECT SIZE SOCKET FOR BOLTS AND NUTS. AN INCORRECT SOCKET WILL CAUSE DAMAGE TO THE BOLT OR NUT.**

---

1. Align the chosen socket and simply push it onto the anvil. Use only ½" square drive impact sockets supplied or as listed on page 10.
2. Squeeze the trigger to start the wrench. Release the trigger to stop.
3. To run the impact wrench in reverse, push the switch-bar through the drive unit. The direction of rotation is shown on the end face of the switch-bar.
  - The 3-position switch bar controls forward or reverse direction of rotation. Select the appropriate position **ONLY** when the machine is **STATIONARY**. Do not move the switch-bar when the spindle is moving. When the switch-bar is in the central position the trigger is locked.
4. Always check the direction of rotation before operation.
5. Turn off the machine as soon as the impact sound is heard.

Note: As the battery becomes discharged, the power available will drop. Operating the machine at low speed will cause a reduction in torque.

6. After use, recharge the battery pack as on page 9. Avoid leaving your batteries in a discharged state.

## LOOSENING A WHEEL NUT

1. Remove any wheel trim, before selecting the appropriate socket and placing firmly on the square drive of the wrench.
2. With the FORWARD/NEUTRAL/REVERSE switchbar in the REVERSE running position, and holding the wrench firmly in BOTH HANDS, pull the trigger. The nut will be impacted repeatedly until it is loosened. **IMPORTANT!** Release the trigger immediately the nut begins to loosen.
3. Jack up the vehicle according to the vehicles handbook so that the wheel is clear of the ground, then proceed to fully undo the wheel nuts.



**ENSURE THAT THE CORRECT SOCKET IS BEING USED FOR THE NUTS ON YOUR PARTICULAR VEHICLE. AN INCORRECT SOCKET SIZE IS LIKELY TO DAMAGE THE HEADS OF THE BOLTS/NUTS.**

---



## TIGHTENING A NUT

- 1 Start the nut by hand, ensuring it is not cross threaded, then with the appropriate socket installed on the wrench, place it on the nut.
2. With the FORWARD/NEUTRAL/REVERSE switch-bar in the clockwise (FORWARD) running position, and holding the wrench firmly in BOTH HANDS, pull the trigger.
3. Run each nut up in turn until it is 'nipped' up only - do not tighten. When all nuts are nipped up, tighten progressively by pulling the trigger fully and allowing the action to operate for 3 to 4 impacts **only** to prevent overtightening.
4. ALWAYS finish tightening with a torque wrench. The weight of the vehicle will need to be placed on the wheel to prevent it from rotating while the nuts are tightened. Ensure the final torque applied to the nuts meets the vehicle manufacturer's recommendations.

---

## RECHARGING

---

Recharge the battery pack following each period of use.

1. Check that the red CHARGING light illuminates and remains flashing during the charging process.
2. If the red CHARGING light goes out almost straight away after repeating this procedure a couple of times, although the green POWER ON light is lit, the battery pack should be replaced with a new one.
3. The charging light should remain flashing for about 1 hour, after which, the battery cartridge may be removed and used.
4. After charging, remove the charger from the power supply.
5. For maximum battery life, we recommend that you maintain the battery in a fully charged state at all times.

---

## MAINTENANCE

---

- Ensure all fixings remain tight to ensure the machine is in safe working condition.
- All bearings etc, in this machine are lubricated with a sufficient amount of high grade lubricant for the machines lifetime under normal operating conditions, therefore no further lubrication is required.
- Refer to your CLARKE dealer if internal maintenance is required.
- Check the battery charger power cable to ensure it is free from cracks, bare wires etc.

- Avoid using solvents when cleaning plastic parts, most plastics are susceptible to damage from the various types of commercial solvents. Keep the unit clean by wiping with a dry cloth. DO NOT use solvents as a cleaning agent.

Your Clarke Impact Wrench has been designed to give long and trouble free service. If, however, having followed the instructions in this booklet carefully, you encounter problems, take the unit to your local Clarke dealer.

## STORAGE

- Make sure that the machine is stored in a clean, dry place, out of reach of children when not in use.
- Always store the machine and its charger in the case supplied.

## ENVIRONMENTAL PROTECTION

Do not dispose of this product with general household waste. All tools, accessories and packaging should be sorted, taken to a recycling centre and disposed of according to the laws governing Waste Electrical and Electronic Equipment.

## BATTERY DISPOSAL

Dispose of old batteries in accordance with local authority regulations. Do not incinerate or crush, as this will increase the risk of explosion and contamination. If the battery contents come into contact with skin or the eyes, rinse with clean water for several minutes and seek medical advice immediately afterwards.

## ACCESSORIES

A wide range of accessories is available from your nearest CLARKE dealer, for further information, contact your nearest dealer, or telephone CLARKE International Sales department on 01992 565300.

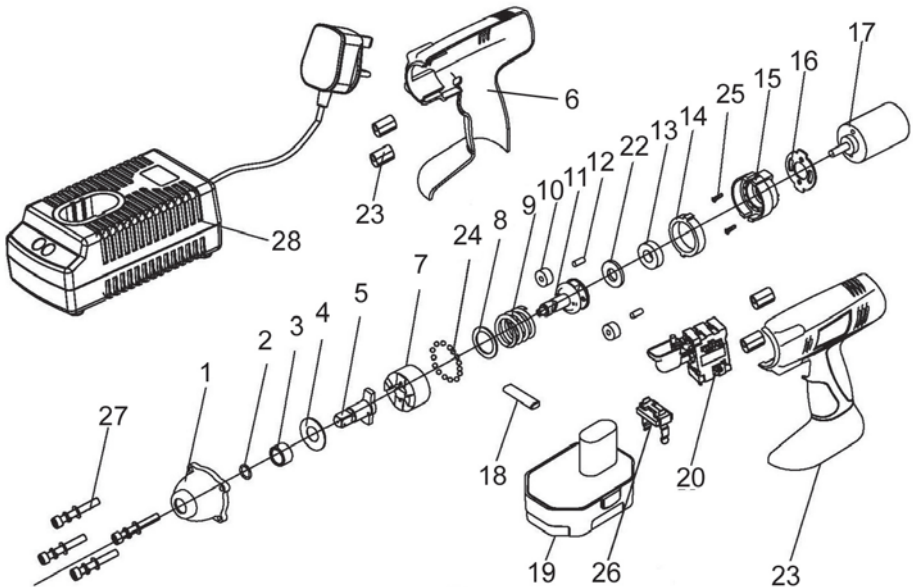
Suitable Impact Wrench compatible socket sets include the following:

3110437	CAT37B	11 piece 1/2"square drive(metric)
1800310	CIS12/17	17 piece 1/2"square drive(metric/AF)
1800305	CIS9/32	32 piece 3/8" & 1/2"square drive (metric/AF)
1800345	CIS12/7M	7 piece 1/2"square drive universal joint (metric)
1800350	CIS12/7MD	7 piece 1/2"square drive universal joint (deep) metric
1800355	CIS12/6H	6 piece 1/2"square drive hex key set (metric)
1800360	CIS12/6S	7 piece 1/2"square drive TRX-Star

# PARTS DIAGRAM

No	Description	Part No
1	Gear Casing	HTCIR2401
2	Hermetic Ring	HTCIR2402
3	Drive Shaft Bush	HTCIR2403
4	Washer	HTCIR2404
5	Square Drive Shaft	HTCIR2405
6	Housing (R/H)	HTCIR2406
7	Clutch	HTCIR2407
8	Washer	HTCIR2408
9	Spring	HTCIR2409
10	Planetary Gear	HTCIR2410
11	Core Shaft	HTCIR2411
12	Column Pin	HTCIR2412
13	Shaft Bushing	HTCIR2413
14	Inner Gear	HTCIR2414

No	Description	Part No
15	Gearbox	HTCIR2415
16	Connecting Clip	HTCIR2416
17	DC Motor	HTCIR2417
18	Fwd/rev Control Bar	HTCIR2418
19	Battery Pack	HTCIR2419
20	Trigger Switch	HTCIR2420
21	Housing (L/H)	HTCIR2421
22	Washer	HTCIR2422
23	Nut	HTCIR2423
24	Ball Bearings	HTCIR2424
25	Screw	HTCIR2425
26	Clip	HTCIR2426
27	Retaining Screw	HTCIR2427
28	Battery Charger	HTCIR2428



# A SELECTION FROM THE VAST RANGE OF

# Clarke®

## QUALITY PRODUCTS

### AIR COMPRESSORS

From DIY to industrial, Plus air tools, spray guns and accessories.

### GENERATORS

Prime duty or emergency standby for business, home and leisure.

### POWER WASHERS

Hot and cold, electric and engine driven - we have what you need

### WELDERS

Mig, Arc, Tig and Spot. From DIY to auto/industrial.

### METALWORKING

Drills, grinders and saws for DIY and professional use.

### WOODWORKING

Saws, sanders, lathes, mortisers and dust extraction.

### HYDRAULICS

Cranes, body repair kits, transmission jacks for all types of workshop use.

### WATER PUMPS

Submersible, electric and engine driven for DIY, agriculture and industry.

### POWER TOOLS

Angle grinders, cordless drill sets, saws and sanders.

### STARTERS/CHARGERS

All sizes for car and commercial use.



**PARTS & SERVICE: 020 8988 7400**

E-mail: [Parts@clarkeinternational.com](mailto:Parts@clarkeinternational.com) or [Service@clarkeinternational.com](mailto:Service@clarkeinternational.com)

**SALES: UK 01992 565333 or Export 00 44 (0)1992 565335**

**Clarke** INTERNATIONAL Hemnall Street, Epping, Essex CM16 4LG  
[www.clarkeinternational.com](http://www.clarkeinternational.com)