

A SELECTION FROM THE VAST RANGE OF

# Clarke<sup>TM</sup>

## QUALITY PRODUCTS

### AIR COMPRESSORS

From DIY to industrial. Plus air tools, spray guns and accessories.

### GENERATORS

Prime duty or emergency standby for business, home and leisure.

### POWER WASHERS

Hot and cold, electric and engine driven - we have what you need.

### WELDERS

Mig, Arc, Tig and Spot. From DIY to auto/industrial.

### METALWORKING

Drills, grinders and saws for DIY and professional use.

### WOODWORKING

Saws, sanders, lathes, mortisers and dust extraction.

### HYDRAULICS

Cranes, body repair kits, transmission jacks for all types of workshop use.

### WATER PUMPS

Submersible, electric and engine driven for DIY, agriculture and industry.

### POWER TOOLS

Angle grinders, cordless drill sets, saws and sanders.

### STARTER/CHARGERS

All sizes for car & commercial use.



# Clarke<sup>TM</sup>



## HAMMER DRILL

Model Nos.

CHD490 • CHD810



0202

**Clarke** INTERNATIONAL

For spare parts and servicing, please contact your nearest dealer, or Clarke International on

**020 - 8988 - 7400**

e-mail: [Parts@clarkeinternational.com](mailto:Parts@clarkeinternational.com) e-mail: [Service@clarkeinternational.com](mailto:Service@clarkeinternational.com)

## OPERATING & MAINTENANCE INSTRUCTIONS



Thank you for purchasing this CLARKE 13mm Hammer Drill which is designed for lighter duty, DIY use only.

Please read this booklet thoroughly. Your Clarke Hammer Drill will give excellent service if it is used carefully and in accordance with the following advice and recommendations. Never use excessive force and as with all tools, it should be treated with care and respect.

## GUARANTEE

This CLARKE product is guaranteed against faulty manufacture for a period of 12 months from the date of purchase. Please keep your receipt as proof of purchase. This guarantee is invalid if the product is found to have been abused or tampered with in any way, or not used for the purpose for which it was intended.

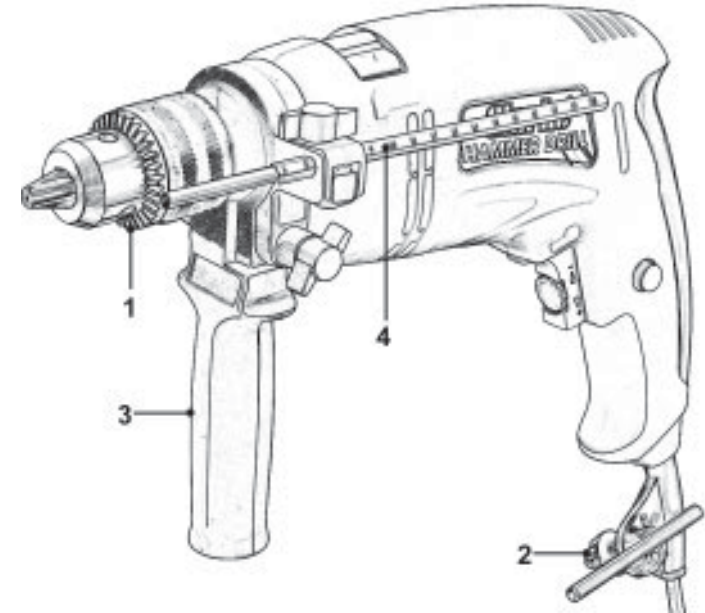
Faulty goods should be returned to their place of purchase, no product can be returned to us without prior permission. This guarantee does not effect your statutory rights.

## TECHNICAL DATA

	CHD490	CHD810
Motor	230V 50Hz	230V 50Hz
Power Input	500Watts	810Watts
Chuck Capacity	13mm	13mm
Speed Range	2,900RPM	10 - 2,900RPM
Sound Pressure Level	96.8dB(A)	94.5dB(A)
Sound Power Level	109.8dB(A)	107.5dB(A)
Vibration Level	24.1m/s <sup>2</sup>	5.2m/s <sup>2</sup>
Weight	2.5kg	2.4kg
Part No.	6480100	6480110

Please note that the details and specifications contained herein, are correct at the time of going to print. However, CLARKE International reserve the right to change specifications at any time without prior notice. Always consult the machine's data plate

## PARTS LIST AND DIAGRAM



### No. Description

### Part No.

	CHD490	CHD810
1 Chuck	GRCHD49001	GRCHD81001
- Chuck securing screw	GRCHD49002	GRCHD81002
2 Chuck Key	GRCHD49003	GRCHD81003
3 Auxiliary Handle Complete	GRCHD49004	GRCHD81004
4 Depth Gauge	GRCHD49005	GRCHD81005

## Spare Parts and Service

Please contact your nearest dealer,  
or CLARKE International, on one of the following numbers.

**PARTS & SERVICE TEL: 020 8988 7400**

**PARTS & SERVICE FAX: 020 8558 3622**

or e-mail as follows:

**PARTS: [Parts@clarkeinternational.com](mailto:Parts@clarkeinternational.com)**

**SERVICE: [Service@clarkeinternational.com](mailto:Service@clarkeinternational.com)**

## CONTROLS ~ CHD810

Before plugging into the mains supply, ALWAYS fit the appropriate drill bit first, then pull the trigger briefly and release, to ensure the drill is not locked in the ON position. If you change a drill bit, ALWAYS disconnect from the mains beforehand.

### To Switch ON:

Pull Trigger 'A'

### Continuous Operation:

Pull Trigger 'A' and lock by pressing button 'B'

**NOTE:** The speed is varied by applying more or less pressure on switch A. The maximum speed may be pre-selected by turning the knurled knob C, within switch A.

### To switch OFF:

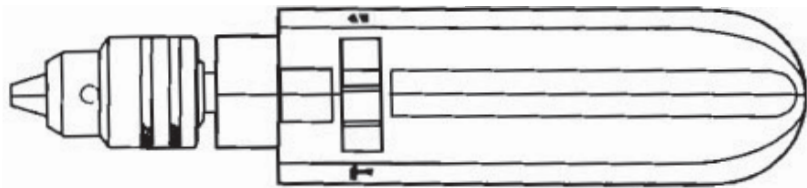
Pull Trigger 'A' briefly and then release.

### Forward/Reverse Selection

Push the slide lever 'D' fully to left for normal rotation.

Push the slide lever 'D' fully to right for reverse rotation.

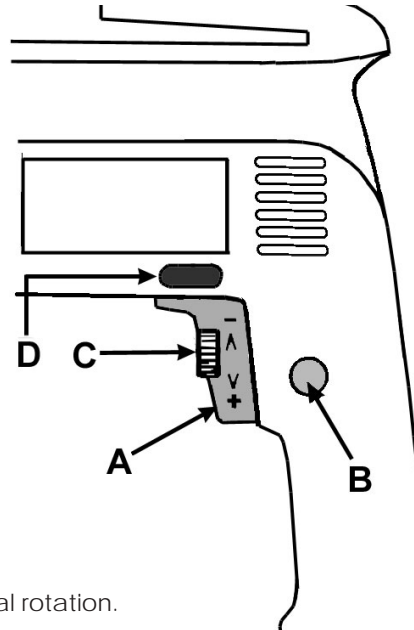
### Hammer Selection



Slide the switch, on top of the drill, to the 'Hammer' position - denoted by a hammer symbol.

For normal drilling the switch should be in the 'Drill' position, denoted by a drill bit symbol (particularly when drilling tiles, ceramics etc.).

**DO NOT operate this switch until the drill has stopped.**



## GENERAL SAFETY PRECAUTIONS

- Keep your Clarke drill and all other power tools out of reach of children.
- Keep the drill dry - do not use near water, steam or flammable liquids.
- When drilling into walls, ceilings and floors, check first for concealed services, i.e. Water, Electric and Gas.
- Always wear safety goggles\*\*. Take particular care when drilling overhead.
- We recommend the use of an appropriate dust mask\*\*.
- Loose clothing and long hair can prove a danger if caught up in machinery. Take suitable precautions.
- The level of noise may exceed 85 dB(A) when hammer drilling into concrete/masonry etc., in which case we strongly recommend the use of ear defenders\*\*.
- Always disconnect from the mains supply when changing bits and for all adjustments and maintenance work.
- Always protect the mains cable, be aware of your surroundings. Do not allow the cable to rest on hot surfaces, sharp edges, in oil or acids etc.
- When using an extension cable, ensure it is completely unwound from the drum.
- NEVER carry the drill by the cable.
- NEVER pull on the mains cable to disconnect from the mains supply.
- Always make sure you have a firm and secure stance when using the drill particularly when on a ladder or scaffold.
- ALWAYS hold the drill firmly with BOTH hands when drilling. A drill could stall if overloaded or used improperly. ALWAYS expect a stall and be prepared for it.
- ALWAYS ensure the workpiece is perfectly secure before drilling. Use clamps or a vice which is safer than your hands and frees both hands to operate the drill.
- Contact your CLARKE dealer for information regarding the various safety products available.

## GENERAL ADVICE ON DRILLING

- After drilling material to the full depth, do not simply pull out the drill but maintain chuck rotation to ease withdrawal.
- Keep drill bits sharpened for optimum performance.
- Always drill directly in line with the bit. Do not use sideways movement as this may damage the drill or cause the bit to break.
- Always use a cutting lubricant when drilling all metals except brass and cast iron which should be drilled dry.
- If the drill is not cutting the metal then sharpen the drill, ensuring the various cutting angles are correct. Consult a suitable book of reference or a qualified technician.

\*\* Available from your Clarke dealer

## ELECTRICAL CONNECTIONS

Connect the mains lead to a standard 230Volt (50Hz) electrical supply through a BS 1363 approved, 13 amp plug, or suitably fused isolator switch.



IMPORTANT: The wires in the mains lead are coloured in accordance with the following code:

Blue	-	Neutral
Brown	-	Live

As the colours of the flexible cord of this appliance may not correspond with the coloured markings identifying terminals in your plug proceed as follows:

- Connect BROWN cord to terminal marked with a letter 'L' or coloured RED
- Connect BLUE cord to terminal marked with a letter 'N' or coloured BLACK

If this appliance is fitted with a plug which is moulded onto the electric cable (i.e. non-rewirable) please note:

1. The plug must be thrown away if it is cut from the electric cable. There is a danger of electric shock if it is subsequently inserted into a socket outlet.
2. Never use the plug without the fuse cover fitted.
3. Should you wish to replace a detachable fuse carrier, ensure that the correct replacement is used (as indicated by marking or colour code).

### Fuse Rating

The fuse in the plug for this appliance must be rated at **5 amps**.

## MAINTENANCE

- Always keep the drill clean - free from dirt, grease, oil or other contaminants.
- Do not use solvents to clean plastic parts.
- If sparking within the housing becomes excessive, clean the carbon brushes. (Consult your Clarke dealer).
- Always ensure the ventilation holes are kept clear.
- Inspect the mains cable frequently and have it renewed if damage is apparent.

### Chuck Replacement

Open up the jaws of the chuck and, holding the chuck securely to prevent it from turning, undo the centre screw within, using a cross head screwdriver, noting that it has a LEFT HAND thread, i.e. screw it **CLOCKWISE**. With the securing screw removed, unscrew the chuck from the drive shaft, noting it has a standard right hand thread.

**NOTE: If you have difficulty performing this operation, consult your Clarke dealer.**

## CONTROLS ~ CHD490

BEFORE plugging your drill into the mains supply:

1. ALWAYS blip the trigger to ensure it is not locked in the ON position.
2. ALWAYS fit the appropriate drill bit and ensure it is tight.

### IMPORTANT

When changing drill bits, ALWAYS disconnect from the mains supply beforehand.

### To switch ON:

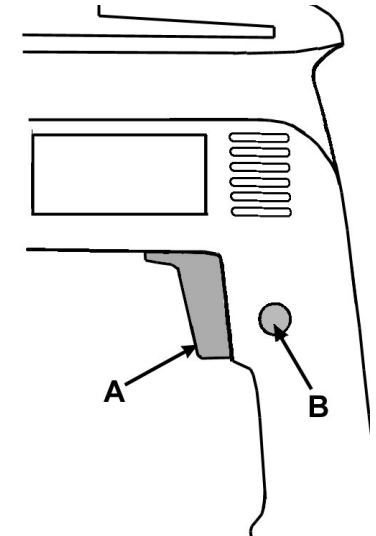
Pull trigger A

### Continuous Operation:

Lock by pressing button B

### To switch OFF:

Pull trigger 'A' briefly and then release



### Hammer Selection

Push the slide switch fully to the right to select the 'Hammer' facility. (A hammer symbol is moulded into the casing denoting that the switch should be pushed from that side.)

For all normal drilling operations, select the 'Drill' position (particularly when drilling tiles, ceramics etc.).

**DO NOT operate this switch until the drill has stopped.**

