

A SELECTION FROM THE VAST RANGE OF

# Clarke<sup>TM</sup>

QUALITY PRODUCTS



**AIR COMPRESSORS**

*From DIY to industrial. Plus air tools, spray guns and accessories.*

**GENERATORS**

*Prime duty or emergency standby for business, home and leisure.*

**POWER WASHERS**

*Hot and cold, electric and engine driven - we have what you need.*

**WELDERS**

*Mig, Arc, Tig and Spot. From DIY to auto/industrial.*

**METALWORKING**

*Drills, grinders and saws for DIY and professional use.*

**WOODWORKING**

*Saws, sanders, lathes, mortisers and dust extraction.*

**HYDRAULICS**

*Cranes, body repair kits, transmission jacks for all types of workshop use.*

**WATER PUMPS**

*Submersible, electric and engine driven for DIY, agriculture and industry.*

**POWER TOOLS**

*Angle grinders, cordless drill sets, saws and sanders.*

**STARTER/CHARGERS**

*All sizes for car & commercial use.*

# Clarke<sup>TM</sup>



## CERAMIC HEATER

Model: DEVIL 340

**Clarke<sup>®</sup> INTERNATIONAL**

For spare parts and servicing, please contact your nearest dealer, or Clarke International on

**020 - 8988 - 7400**

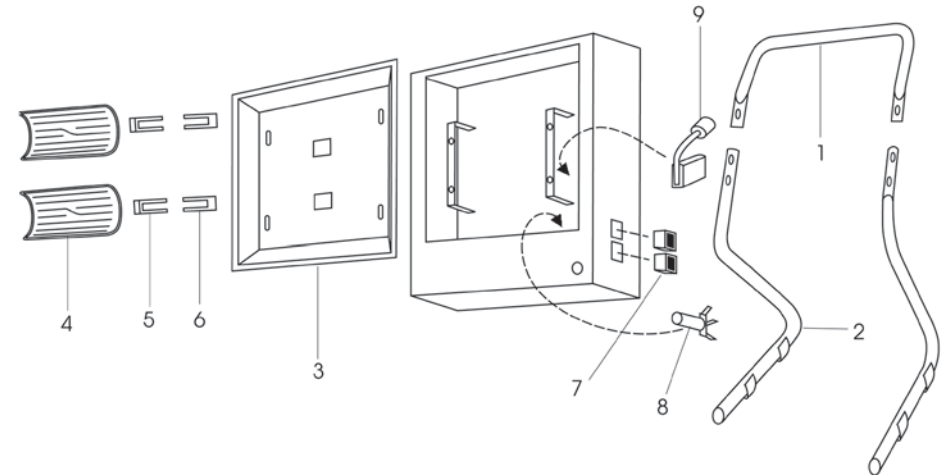
e-mail: [Parts@clarkeinternational.com](mailto:Parts@clarkeinternational.com) e-mail: [Service@clarkeinternational.com](mailto:Service@clarkeinternational.com)

## OPERATING & MAINTENANCE INSTRUCTIONS





**SPARE PARTS**



No.	Description	Part No.
1	Handle	DA34001
2	Leg Assy	DA34002
3	Reflector	DA34003
4	Element	DA34004
5	Securing Clip Outer	DA34005
6	Securing Clip Inner	DA34006
7	Switch Assy	DA34007
8	Indicator Lamp Assy	DA34008
9	Trip Switch Assy (230V)	DA34009
-	Guard Assy	DA34010

## MAINTENANCE

Allow the heater to cool down for at least 15 minutes after switching off, before performing any maintenance tasks.

Periodically.

- Disconnect from the mains supply, remove the guard and wipe the reflector and elements with a clean damp cloth. DO NOT use abrasive cleaners.
- Inspect the mains cable for damage. Heat damage will cause the cable to stiffen and crack. If this is found, have the cable replaced (refer to your CLARKE dealer), check cable routing and ensure it is well away from the heat source.

## Ceramic Element Replacement

Ceramic Elements are long lasting and should not need replacing under normal circumstances. Should this become necessary however, the method of replacement is as follows:

1. Ensure the heater is disconnected from the mains supply, and has cooled sufficiently for work to commence, then remove the guard.
2. Remove the four screws securing the reflector.
3. Disconnect the leads from the damaged element to the ceramic connector block.
4. Carefully remove the clip, securing the element, by sliding it to the side, and retain, together with the spring clip.
5. Replace in the reverse order.

### IMPORTANT

**IF IN ANY DOUBT, ALWAYS CONSULT A QUALIFIED TECHNICIAN. DO NOT CARRY OUT ANY REPAIRS YOURSELF.**

## PARTS & SERVICE

**PARTS & SERVICE TEL: 020 8988 7400**

**or e-mail as follows:**

**PARTS: [Parts@clarkeinternational.com](mailto:Parts@clarkeinternational.com)**

**SERVICE: [Service@clarkeinternational.com](mailto:Service@clarkeinternational.com)**

Thank you for purchasing this Clarke Ceramic Heater.

Before attempting to operate the unit please read this instruction leaflet and carefully follow all directions given. By doing so you will ensure safe operation of the unit and you can also look forward to it providing you with long and trouble free service.

## GUARANTEE

This CLARKE product is guaranteed against faults in manufacture for 12 months from purchase date. Please keep your receipt as proof of purchase.

This guarantee is invalid if the product has been found to have been abused in any way, or not used for the purpose for which it was intended, or to have been tampered with in any way. The reason for return must be clearly stated.

This guarantee does not affect your statutory rights.

## SAFETY PRECAUTIONS

- NEVER use electrical equipment in the presence of combustible gases.
- This heater is for INDOOR USE ONLY.
- ALWAYS disconnect from the mains supply before moving or performing any maintenance tasks.
- ALWAYS use in an upright position ONLY.
- Inspect the mains cable regularly for signs of damage. DO NOT use if it is damaged, and ALWAYS keep it away from the source of heat.
- NEVER switch ON the heater if the guard is removed.
- NEVER locate the heater near combustible materials such as curtains, furniture etc. Allow at least 2 metres distance.
- DO NOT use this heater in a bathroom or shower room or any wet environment.
- DO NOT locate the heater close to an adjacent wall or ceiling...allow a distance of at least 1 metre from a wall or ceiling.
- NEVER cover the heater, or block any of the vents.
- DO NOT use if the heater elements are damaged or broken.
- NEVER touch the heater for at least 15 minutes after it is switched off.
- DO NOT use this heater in the vicinity of a swimming pool.
- DO NOT leave the heater unattended.
- If children are present.....ALWAYS use with a fireguard.
- Do NOT use in a paint spray booth or any explosive environment.

## ELECTRICAL CONNECTIONS

### 230 Volt Models

This model is provided with a 13 amp BS 1363 plug, fitted with a 13amp fuse and MUST be connected to a standard, 230 Volt (50Hz) electrical supply, preferably through an approved , or a suitably fused isolator switch.

**WARNING! THIS APPLIANCE MUST BE EARTHED**

**IMPORTANT:** The wires in the mains lead are coloured in accordance with the following code:

Green & Yellow ..... Earth  
Blue ..... Neutral  
Brown ..... Live

As the colours of the flexible lead of this appliance may not correspond with the coloured markings identifying terminals in your plug, or your mains supply, proceed as follows:

- Connect GREEN & YELLOW coloured cord to plug terminal marked with a letter "E" or Earth symbol "⏏" or coloured GREEN or GREEN & YELLOW.
- Connect BROWN cord to terminal marked with a letter "L" or coloured RED.
- Connect BLUE cord to terminal marked with a letter "N" or coloured BLACK.

### Fuse Rating

The fuse in the plug must be replaced with one of the same rating (13 amps) and this replacement must be ASTA approved to BS1362.

This appliance is fitted with a plug which is moulded on to the electric cable (i.e. non-rewireable) please note:

1. The plug must be thrown away if it is cut from the electric cable. There is a danger of electric shock if it is subsequently inserted into a socket outlet.
2. Never use the plug without the fuse cover fitted.
3. Should you wish to replace a detachable fuse carrier, ensure that the correct replacement is used (as indicated by marking or colour code).
4. Replacement fuse covers can be obtained from most DIY or electrical stores.

### 110 Volt Model

This model is fitted with a 110V, 32amp 3-pin plug, and **must** be connected to a protected 110V supply with a fused rating of 20amps.

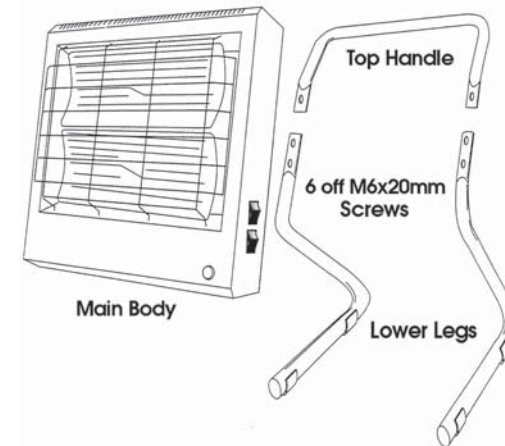
Should the plug subsequently be cut from the mains lead, it must be thrown away as there is a danger of electric shock if it is subsequently inserted into a socket outlet.

**NOTE: If a portable 110V transformer is used, make sure it has a rated capacity sufficient to take the load of the heater.**

In the event that the heater is hard wired into the electrical system, it must be carried out in accordance with IEE regulations.

## ASSEMBLY

Attach the handle and legs to the heater body in the manner shown in the drawing below, using the 6 M6x20mm screws provided.



## OPERATION

When the appliance is plugged in to the mains supply, the lamp on the front panel will illuminate.

Each of the elements is controlled by a switch, which will illuminate when switched ON.

**NOTE: The 230 Volt model incorporates a trip switch which will operate should the heater fall over, switching off the heater. It will automatically reset once the heater is on its feet. IMPORTANT!: This must NOT be seen as failsafe, as residual heat can still cause a fire.**

## SPECIFICATIONS

Part Number	6920266	6920267
Input	230V 50hz 1ph	110V 50hz 1ph
Output Rating	2800W (2x1400W)	2000W (2x1000W)
Fuse Rating	13A	20A
Dimensions (HxWxD)	550x360x390mm	550x360x390mm
Gross Weight	7kg	7kg