

CLARKE®

CAT82B Air Caulking Gun

air



OPERATING & MAINTENANCE INSTRUCTIONS

Thank you for purchasing this CLARKE, Air Caulking Gun, designed for general use, by professionals and DIY users alike.

Before using the tool, please read this leaflet thoroughly and follow the instructions carefully, in doing so you will ensure the safety of yourself and that of others around you, and you can look forward it giving long and satisfactory service.

GUARANTEE

This CLARKE product is guaranteed against faulty manufacture for a period of 12 months from the date of purchase. Please keep your receipt as proof of purchase.

This guarantee is invalid if the product is found to have been abused or tampered with in any way, or not used for the purpose for which it was intended.

Faulty goods should be returned to their place of purchase, no product can be returned to us without prior permission.

This guarantee does not effect your statutory rights.

SAFETY PRECAUTIONS

IMPORTANT

Failure to follow these precautions could result in personal injury, and/or damage to property.

1. ALWAYS wear approved impact resistant safety goggles. (Eye glasses are NOT safety glasses).
2. ALWAYS disconnect the tool when not in use, before changing accessories and before carrying out any maintenance
3. ALWAYS have trigger in the OFF position when connecting to an air supply.
4. ALWAYS keep a safe distance between yourself and other people when using the tool.
5. Maintain the tool with care. Keep it clean for best and safest performance.
6. Quick change couplings should not be located at the tool. They add weight and could fail due to vibration.
7. DO NOT over-reach. Keep your proper footing and balance at all times.
8. DO NOT force or misuse the tool. It will do a better and safer job at the rate for which it was designed.
9. DO NOT abuse hoses or connectors. NEVER carry a tool by the hose, or yank it to disconnect from the air supply. Keep hoses away from heat, oil and sharp edges. Check hoses for weak or worn condition before use, and ensure that all connections are secure.
10. DO NOT exceed 90 PSI at the tool.
11. DO NOT modify the tool in any way.

AIR SUPPLY

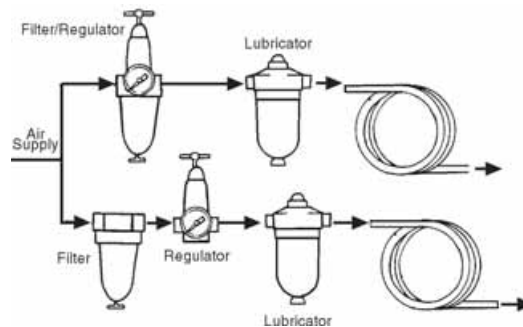
Tools of this type, operate on a wide range of air pressures. It is recommended that air pressure to this tool does not exceed 70 PSI, at the tool when running. Higher pressure and unclean air, will shorten the tools' life because of faster wear, and could be a safety hazard.

Water in the air line will cause damage to the tool, ensure it is properly maintained at all times.

The recommended procedure to connect this tool to an air supply, is shown at fig. 1.

The air inlet used for connecting air supply, has a standard 1/4" BSP thread.

Line pressure, or hose inside diameter, should be increased to compensate for unusually long air hoses (over 25 feet). Minimum hose diameter should be 5/16" (8mm) ID., and fittings should have the same inside dimensions.



OPERATION

Ensure the air supply is disconnected before filling the grease chamber.

1. Remove the end cap from the gun.
2. Drop the cartridge, containing the caulking medium into the tube.
3. Thread the end cap over the cartridge nozzle and screw back on to the gun firmly.
4. Ensure the end of the nozzle is cut off, preferably at an angle - experience will determine the ideal angle, and amount of nozzle to cut off, for the job in hand.
5. Connect the air supply, turn ON and approach the work. Press the trigger so that caulking medium is ejected. To stop, release the trigger. Be aware that medium will continue to be ejected for a short period until pressure drops. You should make allowances for this.

MAINTENANCE

Daily

1. Before use, drain water from air tank, air line and compressor.
2. If no line Lubricator is used, ensure that oil is applied to the tool (see below).

Weekly

Clean the air inlet filter.

IMPORTANT

Run a few drops of oil through the tool. It may be entered into the tool air inlet, ensuring the strainer is clear, or into the hose at the nearest connection to the air supply. Then run the tool. Clarke Air Line oil is available from your Clarke dealer or a rust inhibitive oil, available from auto supply stores etc., is acceptable.

Be aware that factors other than the tool may effect its operation and efficiency, such as reduced compressor output, excessive drain on the airline, moisture or restrictions in the line, or the use of connectors of improper size or poor condition which will reduce air supply. Grit or gum deposits in the tool may also reduce efficiency. This condition can be corrected by cleaning the air strainer and flushing out the tool with gum solvent oil, or failing this, the tool should be disassembled, thoroughly cleaned, dried and re-assembled.

Keep the tool clean at all times,

ACCESSORIES

A wide range of Airline accessories is available, including Filter/Regulators, Lubricators, High Pressure Hoses from 5 to 100 Metres, etc. Contact your CLARKE dealer for further information, or CLARKE International Spare Parts Department on 020 8988 7400.

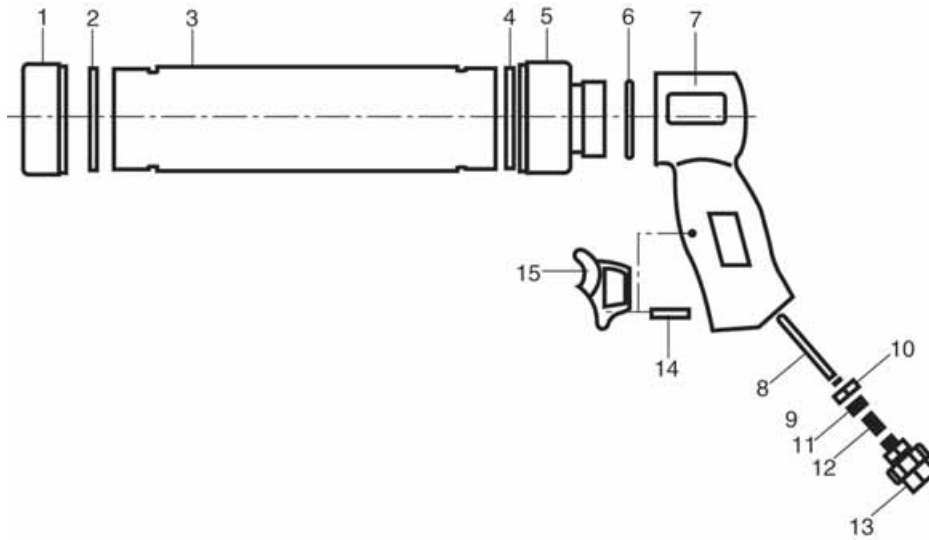
The use of parts other than those supplied by Clarke International, may result in safety hazards, decreased tool performance, and may invalidate yopur warranty.

SPECIFICATIONS

Model No.	CAT 82B
Part No.	3120106
Operating Air Pressure	70psi
MAX. Air Pressure	150psi
Air Inlet	1/4" BSP
Min. Hose Size (ID)	5/16" (8mm)
Cartridge Size	C3
Net Weight	1.2 kg
Dimensions	318x60.7x170

Clarke[®]
INTERNATIONAL

PARTS DRAWING



PARTS LIST

No.	Description	Qty	Part No.	No.	Description	Qty	Part No.
1	End Cap	1	NSCAT8201	9	O-Ring	1	NSCAT8209
2	Gasket	1	NSCAT8202	10	Packing	1	NSCAT8210
3	Barrel	1	NSCAT8203	11	Air valve	1	NSCAT8211
4	Gasket	1	NSCAT8204	12	Air Valve Spring	1	NSCAT8212
5	Body Cap	1	NSCAT8205	13	Air Screw	1	NSCAT8213
6	O-Ring	1	NSCAT8206	14	Triger Stud	1	NSCAT8214
7	Main Body	1	NSCAT8207	15	Trigger	1	NSCAT8215
8	Adjuster Rod	1	NSCAT8208				

PARTS AND SERVICE CONTACTS

For Spare Parts and Service, please contact your nearest dealer,
or CLARKE International, on one of the following numbers.

PARTS & SERVICE TEL: 020 8988 7400

PARTS & SERVICE FAX: 020 8558 3622

or e-mail as follows:

PARTS: Parts@clarkeinternational.com

SERVICE: Service@clarkeinternational.com