

ClearMark® WOODWORKER



PLANER/THICKNESSER

MODEL Nos. CPT600 and CPT800
Part No. 6462130 and 64621135

OPERATING & MAINTENANCE INSTRUCTIONS



0706



SPECIFICATIONS

Model	CPT600	CPT800
Part No	6462130	6462135
Voltage	230VAC	230VAC
Power Input	1250Watts	1250Watts
Plug Fuse Rating	13Amps	13Amps
Input Wattage Max.	3.7Amps	3.7Amps
Cutter Speed	8700 rpm	8700 rpm
Weight - unpacked	22 Kg	24.5kg
Sound Power Level - Measured	103.4dB _{LWA}	99.7dB _{LWA}
Max Cutting Depth	2mm	2mm
Max Timber Width	152mm	204mm
Min Timber size - Thicknesser	5-120mm	5-120mm
Fence Angular Movement	90° - 135°	90° - 135°
Table Dimensions	650x160mm	737x210mm
Exhaust Port Dia.	50mm	63mm
Dimensions	693x437x357mm	770x449x405mm

Please note that the details and specifications contained herein are correct at the time of going to print. However CLARKE International reserve the right to change specifications at any time without prior notice. Always consult the machines data bracket

LIST OF PACKAGE CONTENTS

- 1 x Planer/Thicknesser
- 1 x Side Fence
- 1 x 5mm Allen Key
- 1 x Thicknessing Table Raise/Lower Handle
- 1 x Push Stick
- 1 x Dust Extraction Chute
- 2 x Spare Drive Belts
- 1 x Instruction Manual

 When disposing of this equipment, it must be disposed of according to all local ordinances. DO NOT dispose of with normal household waste.

© Copyright CLARKE International. All rights reserved. April 2006



Please read these instructions carefully before operating the tool

Thank you for purchasing this **CLARKE** Planer/Thicknesser designed for DIY use. Before using the device, please read this manual thoroughly and carefully follow all instructions given. This is for your own safety and that of others around you, and is also to help you achieve a long and trouble free service from your new tool.

CLARKE GUARANTEE

This CLARKE product is guaranteed against faulty manufacture for a period of 12 months from the date of purchase. Please keep your receipt as proof of purchase.

This guarantee is invalid if the product is found to have been abused or tampered with in any way, or not used for the purpose for which it was intended.

Faulty goods should be returned to their place of purchase, no product can be returned to us without prior permission.

This guarantee does not affect your statutory rights.

CONTENTS

Page

Specifications :	1
Guarantee :	2
Safety Precautions :	4
Additional Precautions for Planer/Thicknessers	5
Electrical Connections :	6
Assembly :	7
Operation :	9
Maintenance :	10
Parts Diagrams :	12
Parts List :	13-14
Parts and Service Contacts:	15
Declaration of Conformity :	15

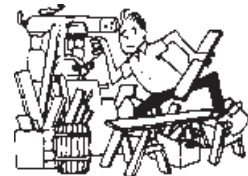
General Safety Precautions



WARNING:

As with all machinery, there are certain hazards involved with their operation and use. Exercising respect and caution will considerably lessen the risk of personal injury. However, if normal safety precautions are overlooked or ignored, personal injury to the operator or damage to property, may result.

1. **ALWAYS** Learn the machines' applications, limitations and the specific potential hazards peculiar to it. Read and become familiar with the entire operating manual.
2. **ALWAYS** use a face or dust mask if operation is particularly dusty.
3. **ALWAYS** check for damage. Before using the machine, any damaged part, should be checked to ensure that it will operate properly, and perform its intended function. Check for alignment of moving parts, breakage of parts, mountings, and any other condition that may affect the machines' operation. Any damage should be properly repaired or the part replaced. If in doubt, **DO NOT** use the machine. Consult your local dealer.
4. **ALWAYS** disconnect the tool/machine from the power supply before servicing and when changing accessories.
5. **ALWAYS** wear safety goggles, manufactured to the latest European Safety Standards. Everyday eyeglasses do not have impact resistant lenses, they are not safety glasses.
6. **ALWAYS** keep work area clean. Cluttered areas and benches invite accidents.
7. **ALWAYS** ensure that adequate lighting is available. A minimum intensity of 300 lux should be provided. Ensure that lighting is placed so that you will not be working in your own shadow.
8. **ALWAYS** keep children away. All visitors should be kept a safe distance from the work area, especially whilst operating the machine.
9. **ALWAYS** maintain machine in top condition. Keep tools/machines clean for the best and safest performance. Follow maintenance instructions.
10. **ALWAYS** handle with extreme care do not carry the tool/machine by its' electric cable, or yank the cable to disconnect it from the power supply .
11. **ALWAYS** ensure the switch is off before plugging in to mains. Avoid accidental starting.
12. **ALWAYS** concentrate on the job in hand, no matter how trivial it may seem. Be aware that accidents are caused by carelessness due to familiarity.
13. **ALWAYS** keep your proper footing and balance at all times, don't overreach. For best footing, wear rubber soled footwear. Keep floor clear of oil, scrap wood, etc.



14. **ALWAYS** wear proper apparel. Loose clothing or jewellery may get caught in moving parts. Wear protective hair covering to contain long hair.
15. **ALWAYS** use recommended accessories, the use of improper accessories could be hazardous.
16. **ALWAYS** remove plug from electrical outlet when adjusting, changing parts, or working on the machine.
17. **NEVER** operate machine while under the influence of drugs, alcohol or any medication.
18. **NEVER** leave machine running unattended. turn power off. Do not leave the machine until it comes to a complete stop.
19. **NEVER** force the machine, it will do a better and safer job at the rate for which it was designed.
20. **NEVER** use power tools in damp or wet locations or expose them to rain. Keep your work area well illuminated.
21. **DO NOT** use in explosive atmosphere (around paint, flammable liquids etc). Avoid dangerous environment.



ADDITIONAL PRECAUTIONS FOR PLANER/THICKNESSERS

1. **ALWAYS** ensure the cutters are properly secured in the cutterblock before use.
2. **ALWAYS** ensure the cutters are sharp, blunt cutters increase the risk of kick back.
3. **ALWAYS** switch the machine OFF immediately the task is completed.
4. **ALWAYS** ensure safety devices etc., are in place and working correctly, if not **DO NOT** use the machine until they are.
5. **ALWAYS** use with a dust extraction device fitted.
6. **ALWAYS** allow the machine to reach full speed before introducing workpiece.
7. **DO NOT** use the machine if the electric cable, plug or motor is in poor condition.
8. **DO NOT** allow the ventilation slots in the machine to become blocked.
9. **DO NOT** touch the cutter immediately after use, allow time for it to cool.
10. **NEVER** leave machine running unattended, **ALWAYS** ensure the machine is switched off and come to a complete stop before leaving it.
11. **NEVER** use the machine with any of the guards removed.
12. **NEVER** attempt to reverse the workpiece towards the infeed.
13. **NEVER** proceed unless the workpiece has been thoroughly checked to ensure it is completely free of nails, screws, staples etc.
14. **NEVER** plane a piece of wood without the Cutter Guard completely covering any exposed Cutter Blade
15. **AVOID** accidental starting, by switching off and isolating from the main electrical supply by removing the plug from the socket.
16. **REGULARLY** check to ensure the 'Anti-Kickback pawls operate correctly.
17. **IMPORTANT!** This machine develops considerable noise when in use. **ALWAYS** wear Ear Defenders

Additionally, please keep these instructions in a safe place for future reference.

ELECTRICAL CONNECTIONS

Connect the mains lead to a domestic, 230 volt (50Hz) electrical supply through a fused good quality 13 amp BS 1363 plug, or a suitable fused isolator switch.




WARNING: THIS APPLIANCE MUST BE EARTHED

IMPORTANT: The wires in the mains lead are coloured in accordance with the following code:

Green & Yellow	-	Earth
Blue	-	Neutral
Brown	-	Live

As the colours of the conductor insulation of this appliance may not correspond with the coloured markings identifying terminals in your plug, you should proceed to connect as follows:

- The GREEN & YELLOW conductor to the terminal marked with a letter "E" or Earth symbol  or coloured GREEN or GREEN & YELLOW.
- The BROWN conductor to the terminal marked "L" or coloured RED.
- The BLUE conductor to the terminal marked "N" or coloured BLACK.

If this appliance is fitted with a plug which is moulded on to the electric cable (i.e. non-rewireable) please note:

1. The plug must be thrown away if it is cut from the electric cable. There is a danger of electric shock if it is subsequently inserted into a socket outlet.
2. Never use the plug without the fuse cover fitted.
3. Should you wish to replace a detachable fuse carrier, ensure that the correct replacement is used (as indicated by marking or colour code).



FUSE RATING

The fuse in the plug must be replaced with one of the same rating (**13 amps**) and this replacement must be ASTA approved to BS1362.

If in doubt, consult a qualified electrician. Do not attempt any electrical repairs yourself.

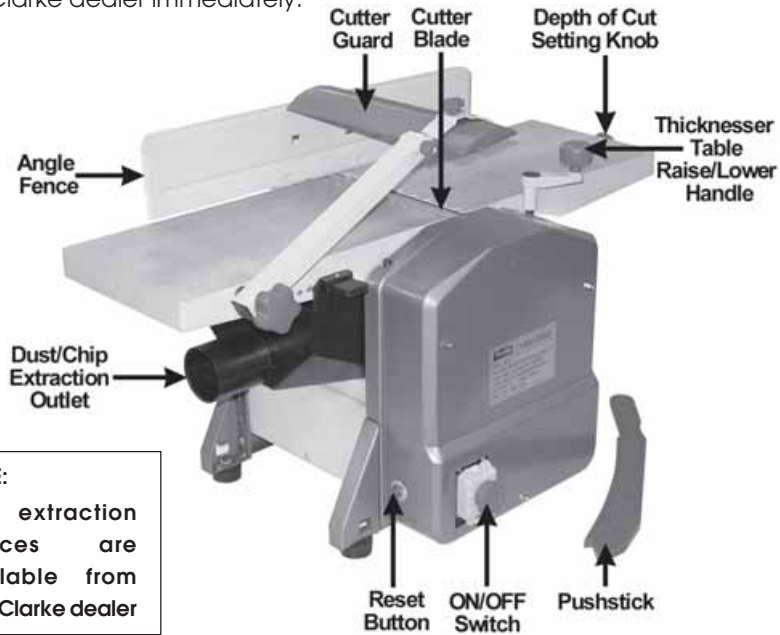
CABLE EXTENSION

Always use an approved cable extension suitable for the power rating of this tool (see specifications), the conductor size should also be at least the same size as that on the machine, or larger. When using a cable reel, always unwind the cable completely.

Clarke
INTERNATIONAL

UNPACKING and PARTS IDENTIFICATION

Carefully unpack the components and lay them out, checking against the following list. Should any part be missing or damaged in transit, please contact your Clarke dealer immediately.



ASSEMBLY and INSTALLATION

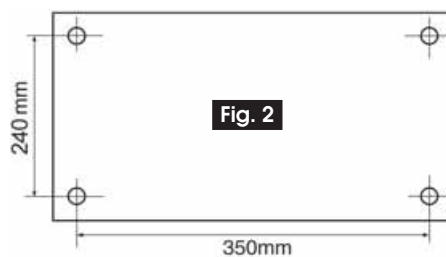
Ensure the planer is located where there is adequate light, and a suitable power supply. If cable extension is used, ensure it does not trail along the workshop floor as this could be extremely hazardous.

There must be sufficient room for the workpiece to move through its entire length.

Similarly, there must be sufficient room so that the operator does NOT need to stand in line with the wood during the planing process.

The planer may be used as a mobile unit, but for greater stability we recommend it is bolted to a strong, firm workbench. The dimensions for the mounting holes are shown below:

Alternatively, mount the planer on a strong piece of plywood of at least 15mm in thickness, with length 550mm and width 380mm minimum. The plywood platform, with planer mounted, is then clamped firmly to a workbench when required.



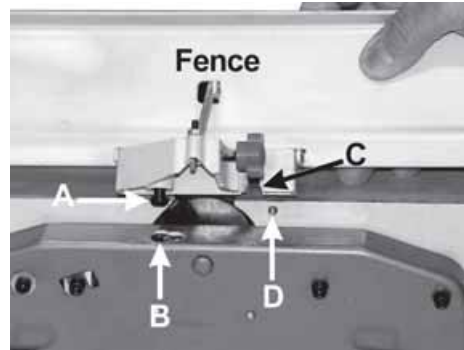
1. Attaching the Angle Fence

Fig. 3

The peg - 'A' locates in the slotted hole - 'B'. It may be necessary to screw the peg down a little in order for the peg to locate properly.

The Hex. socket head screw with washers (in the bag of loose parts), is used to secure the fence to the table, through slot 'C', into threaded hole 'D'.

The fence may be set and locked at any angle. Use a template or angle gauge if accuracy is required.



2. Attach the Dust/Chip Extraction Chute

IMPORTANT: Please note that the Dust Chute **MUST ALWAYS** be in place, the machine will not operate if it is removed.

A. For Planing

- A.1 Lower the Thicknesser Table as far as possible by turning the Raise/Lower Knob (see Fig.1) fully anticlockwise.

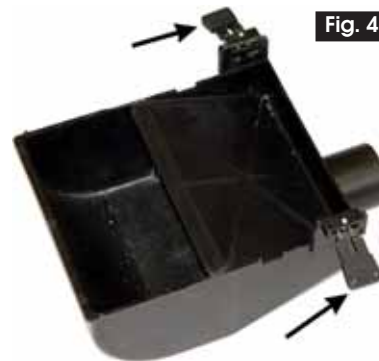
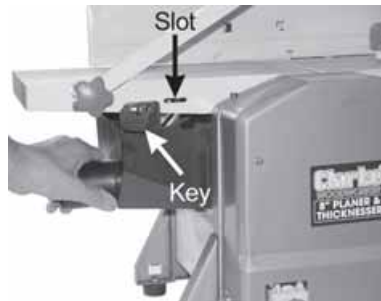


Fig. 4

Fig. 5



- A.2 Pull out the two Locking Keys (arrowed in Fig.4) and manoeuvre the Chute into the space beneath the table.

Ensure both Locking keys are pushed firmly into the slots in the table, shown in Fig.5.

B. For Thicknessing

- B.1 Remove the Angle Fence.
B.2 Push the Cutter Guard out of its holder so that the Chute may be attached to the table, as shown in Fig.6.

Ensure both Locking keys are pushed firmly into the slots in the table, shown in Fig.5.

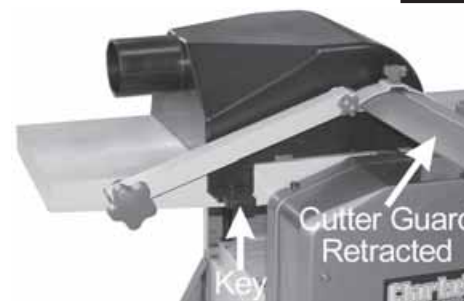


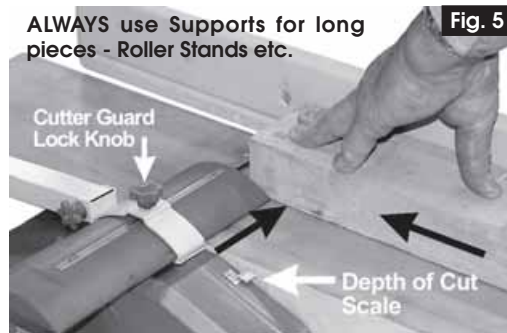
Fig. 6

OPERATION

A. Planing

ENSURE the timber is completely free of nails, screws and staples etc., before use.

1. Set the depth of cut, using the Depth of Cut Setting Knob - see Fig.1. Turn anticlockwise to increase the cutting depth, clockwise to decrease, using the scale, indicated in Fig. 5, as a reference. For the initial cut, we recommend a depth of cut of no more than 1mm. The maximum depth of cut is 2mm.
2. Ensure the fence is at the correct angle - for normal planing, this would be 90 degrees. For other angles, use a template or angle gauge for greater accuracy.
3. Slide the cutter guard out of the way and place the workpiece on the table so that it rests snugly against the fence, with the lead edge a short distance from the cutter, noting that direction of feed is right to left, looking from the front of the machine.
4. Slide the cutter guard up to lightly touch the workpiece as shown in Fig.5, thereby completely covering any exposed cutter. Ensure the guard is as low as possible and the Cutter Guard Lock Knob is tightened.
5. Raise the cover of the ON/OFF switch and press the green ON button, marked 'I', and allow the machine to come up to full speed.
6. Applying **firm** downwards pressure, and keeping the workpiece against the fence, proceed to feed the work over the cutter. Do not feed too quickly



IMPORTANT.
When coming to the end of a piece,
ALWAYS use the push stick to finish - see
Fig.6. This is an important safety point.

7. To switch OFF, simply press the red button marked 'O' and close the cover ensuring it is properly latched.

When finished, remove all shavings and sawdust from the machine and surrounding area and dispose of safely, accumulation of dust and shavings is a fire hazard and should not be allowed to build up.

NOTES :

1. In case of emergency, hit the switch cover firmly and quickly. The cover will latch down and motor will be switched OFF.
2. The ON/OFF switch is a "No Volt Release" type, so that in the event of a power failure, the machine will not restart automatically once the power is restored.



A. Thickening

1. Lower the Thickening table sufficiently for the workpiece to be inserted beneath the cutter blade, ensuring the blade is at 6 o'clock. Work enters from the left and exits at the right of the machine,
2. Raise the table until there is slight resistance. i.e. the work just touches the blade.
3. Withdraw the workpiece, then wind the table upwards - turn clockwise, using the Raise/Lower Table knob, to the appropriate cutting depth, noting that one turn is equivalent to 3mm. Do not exceed 2mm depth of cut as this could cause kickback, and/or damage to the components or overheating of the motor.

Note: It is advisable when working with rough or warped wood to make very small depths of cut to begin with - 1mm should be sufficient.

4. Support the workpiece at the desired height, so that it is horizontal and feed it into the cutter, from the left hand side of the machine. The rollers will automatically feed the work past the kick-back pawls and into the cutter blade. Ensure it is well supported at the outlet side

DO NOT remove chips or shavings from the table until the machine has stopped completely and is isolated from the mains supply.

NOTE:

1. *The workpiece should always be 2-3 inches longer than the finished length as the ends tend to be uneven.*
2. *The table should be lubricated with wax, frequently to ensure smooth operation.*

MAINTENANCE

Always disconnect the machine from the mains supply before cleaning or performing maintenance tasks.

This product is designed to operate with minimum of maintenance, however, as with all power tools, cleanliness is essential in ensuring work is carried out to a satisfactory standard. Always keep the table free of shavings/dust etc., and clean the machine thoroughly after use. Use a low pressure air supply to blow dust from air vents and other parts wherever possible.

Apply a thin film of wax to the table periodically. This will help keep the table clean and allow workpieces to slide more easily.

Do not use solvents to clean the machine as this could damage plastic components.

Cutter Blade Removal

Cutter blades will require sharpening or replacing. Care should be taken at all times when handling them, they are very sharp, even when appearing to be dull.

Blades must always be fitted as a pair, and must be of the same type, only fit blades recommended by the Clarke International.

First, ensure the machine is switched OFF and isolated from the mains supply.

1. Turn the cutter height adjuster so that it registers zero. i.e turn the knob clockwise so that the depth of cut, registered on the scale, is zero.
1. Remove the Angle Fence.
2. Raise the Cutter Guard arm.
3. Turn the cutter block to reveal the four hex. socket head screws securing the cutter blade, then carefully remove them.
4. Turn the cutter block by 180 degrees and repeat the process.
ALWAYS hone/replace cutter blades as a pair.
5. Replace in reverse order, and, using a straight edge, ensure the cutting edges are level and exactly in line with the table when they are at 12 o'clock - see Fig.7. Tighten the securing screws taking care not to overtighten or damage the hex. sockets..

NOTE: It is recommended that sharpening is done professionally, using a jig, as blades must be sharpened as a pair to ensure they are correctly balanced. This avoids the possibility of vibration due to inbalanced cutters rotating at speed.

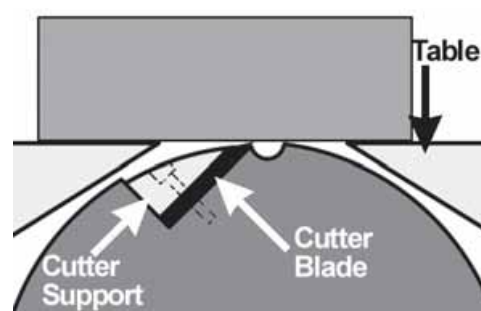
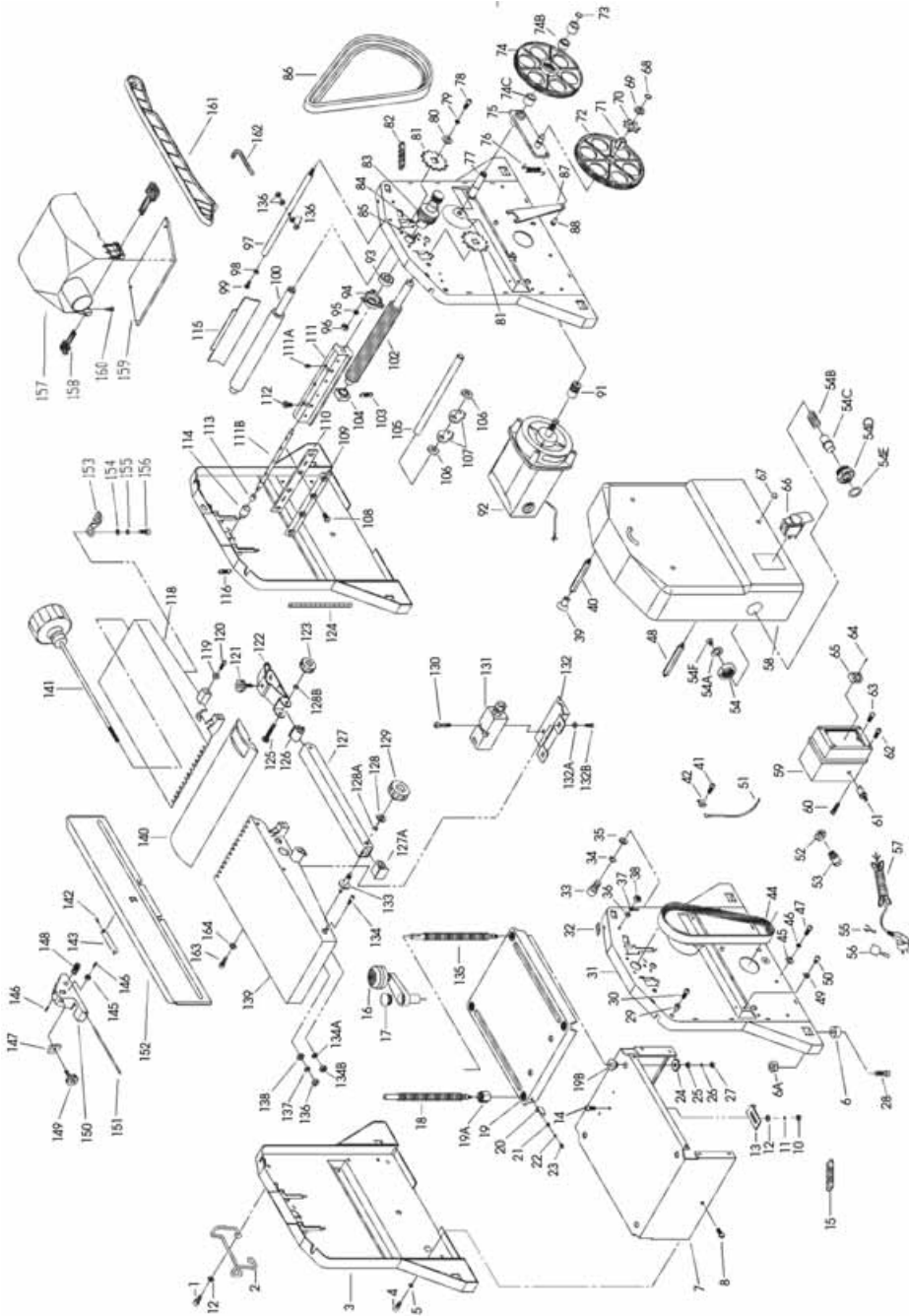


Fig. 7

Periodically.

- Wipe both the infeed and outfeed rollers with a damp cloth to remove all traces of contaminants.
- Wax the Thicknesser table frequently to ensure a smooth and reliable feed.
- Inspect the Kickback pawls before each operation to ensure they are intact and working properly. They should hang normally and loosely.
- Remove the front cover - 3 dome head nuts, and lightly oil all pivots, linkages and bearings with good quality machine oil. Ensure the enclosure and all components are perfectly clean before replacing the cover.

SPARE PARTS DIAGRAM - CPT600

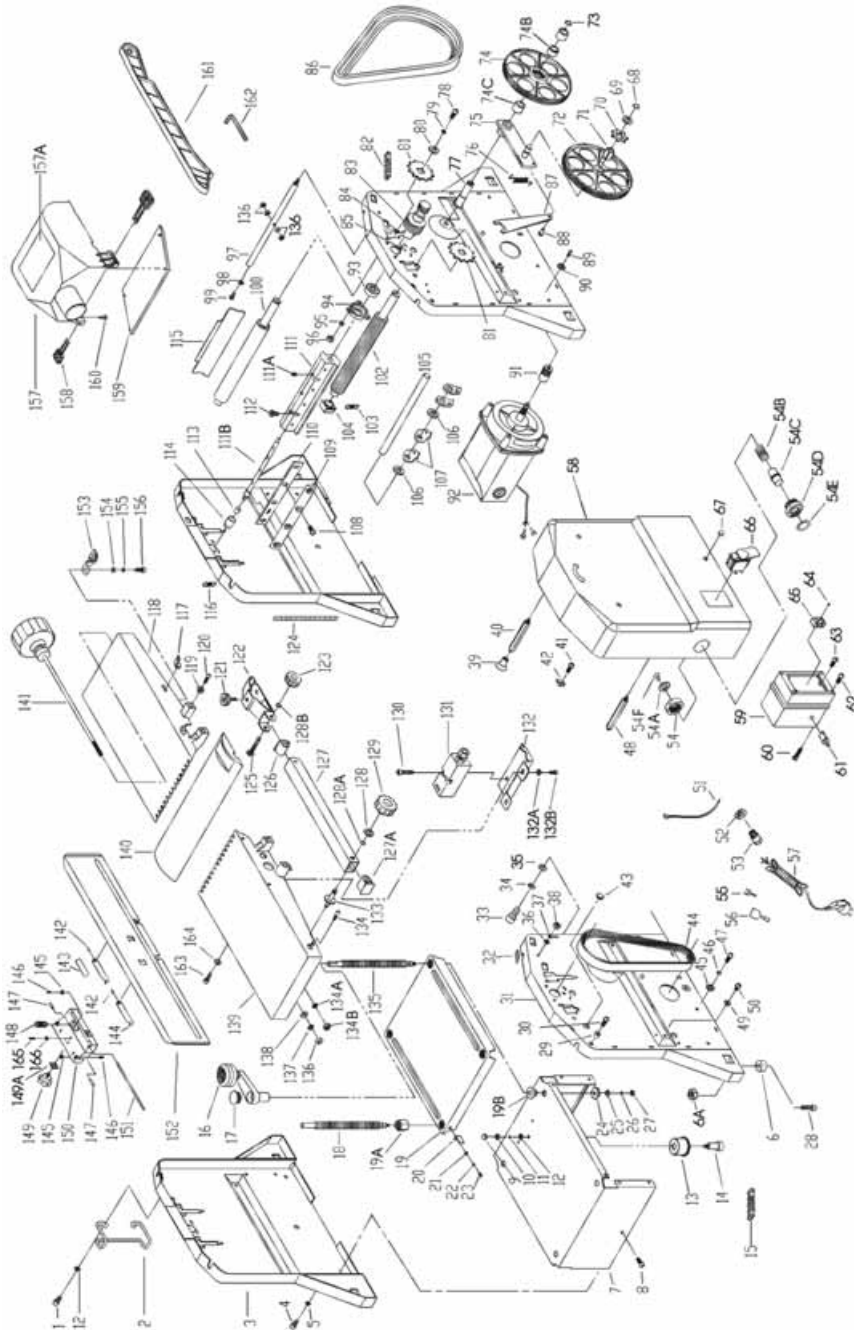


PARTS LIST

No.	Description	Qty	Part No.	No.	Description	Qty	Part No.
1	Bolt		NXCPT6001	42	Cable Clamp		NXCPT6042
2	Cord Stowage Bkt		NXCPT6002	43	Rubber Buffer		NXCPT6043
3	Side Cover		NXCPT6003	44	Flat Belt		NXCPT6044
4	Bolt		NXCPT6004	45	Washer		NXCPT6045
5	Locking Washer		NXCPT6005	46	Locking Washer		NXCPT6046
6	Rubber Foot		NXCPT6006	47	Bolt		NXCPT6047
6A	Nut		NXCPT6006A	48	Rod,Long		NXCPT6048
7	Motor Cover		NXCPT6007	49	Washer		NXCPT6049
8	Bolt		NXCPT6008	50	Bolt		NXCPT6050
10	Nut		NXCPT6010	52	Plastic Locknut		NXCPT6052
11	Locking Washer		NXCPT6011	53	Strain Relief		NXCPT6053
12	Washer		NXCPT6012	54	Nut		NXCPT6054
13	Angle Plate		NXCPT6013	54A	Washer		NXCPT6054A
14	Bolt		NXCPT6014	54B	Spring		NXCPT6054B
15	Chain		NXCPT6015	54C	Rod		NXCPT6054C
16	Crank		NXCPT6016	54D	Screw		NXCPT6054D
17	Plug		NXCPT6017	54E	Scale		NXCPT6054E
18	Threaded Spindle,Short		NXCPT6018	54F	Screw		NXCPT6054F
19	Table		NXCPT6019	55	Locking Line		NXCPT6055
19A	Threaded Spindle Nut		NXCPT6019A	56	Rubber Set		NXCPT6056
19B	Sleeve		NXCPT6019B	57	Power Cable		NXCPT6057
20	Pointer		NXCPT6020	58	Protecting Hood		NXCPT6058
21	Locking Washer		NXCPT6021	59	Switch Box		NXCPT6059
22	Washer		NXCPT6022	60	Bolt		NXCPT6060
23	Bolt		NXCPT6023	61	Thermo-protector		NXCPT6061
24	Chain Wheel		NXCPT6024	62	Bolt		NXCPT6062
25	Washer		NXCPT6025	63	Bolt		NXCPT6063
26	Locking Washer		NXCPT6026	64	Bolt		NXCPT6064
27	Hexagonal Nut		NXCPT6027	65	Terminal		NXCPT6065
28	Bolt		NXCPT6028	66	Switch		NXCPT6066
29	Sleeve		NXCPT6029	67	Nut		NXCPT6067
30	Bolt		NXCPT6030	68	Locking Ring		NXCPT6068
31	Side Plate ,Left		NXCPT6031	69	Washer		NXCPT6069
32	Cutting Depth Scale		NXCPT6032	70	Chain Wheel		NXCPT6070
33	Bolt		NXCPT6033	71	Square Sleeve		NXCPT6071
34	Locking Washer		NXCPT6034	72	Gear Wheel		NXCPT6072
35	Washer		NXCPT6035	73	Locking Ring		NXCPT6073
36	Washer		NXCPT6036	74	Belt Wheel		NXCPT6074
37	Locking Washer		NXCPT6037	74B	Lantern Ring		NXCPT6074B
38	Hexagonal Nut		NXCPT6038	74C	Needle Bearing		NXCPT6074C
39	Bolt		NXCPT6039	75	Pivot Plate		NXCPT6075
40	Rod,Long		NXCPT6040	76	Retracting Spring		NXCPT6076
41	Bolt		NXCPT6041	77	Arbor		NXCPT6077

No.	Description	Qty	Part No.	No.	Description	Qty	Part No.
78	Bolt		NXCPT6078	125	Stud Bolt		NXCPT6125
79	Locking Washer		NXCPT6079	126	Cover		NXCPT6126
80	Washer		NXCPT6080	127	Square Tube		NXCPT6127
81	Chain Wheel		NXCPT608/1	127A	Cover		NXCPT6127A
82	Chain		NXCPT6082	128	Washer		NXCPT6128
83	Belt Disk		NXCPT6083	128A	Locking Ring		NXCPT6128A
84	Bolt		NXCPT6084	128B	Locking Ring		NXCPT6128B
85	Bolt		NXCPT6085	129	Hand Knob		NXCPT6129
86	Flat Belt		NXCPT6086	130	Bolt		NXCPT6130
87	Supporting Plate		NXCPT6087	131	Limit Switch		NXCPT6131
88	Post		NXCPT6088	132	Switch Cover		NXCPT6132
91	Motor Belt Wheel		NXCPT6091	132A	Washer		NXCPT6132A
92	Motor		NXCPT6092	132B	Bolt		NXCPT6132B
93	Grooved Ball Bearing		NXCPT6093	133	Stud Bolt		NXCPT6133
94	Bearing Cover		NXCPT6094	134	Stop Screw		NXCPT6134
95	Locking Washer		NXCPT6095	134A	Locking Washer		NXCPT6134A
96	Hexagonal Nut		NXCPT6096	134B	Nut		NXCPT6134B
97	Strut		NXCPT6097	135	Threaded Spindle,Long		NXCPT6135
98	Washer		NXCPT6098	136	Hexagonal Nut		NXCPT6136
99	Bolt		NXCPT6099	137	Locking Washer		NXCPT6137
100	Feed-out Roller		NXCPT6100	138	Washer		NXCPT6138
102	Feed-in Roller		NXCPT6102	139	Rear Table Top		NXCPT6139
103	Retracting Spring		NXCPT6103	140	Cutter Guard		NXCPT6140
104	Bearing Bush		NXCPT6104	141	Spindle		NXCPT6141
105	Rod		NXCPT6105	142	Stalk,Short		NXCPT6142
106	Washer		NXCPT6106	143	Angle Fence Plate		NXCPT6143
107	Ratchet		NXCPT6107	145	Nut		NXCPT6145
108	Bolt		NXCPT6108	146	Bolt		NXCPT6146
109	Clamping Device		NXCPT6109	147	Nut		NXCPT6147
110	Cutter Blade		NXCPT6110	148	Bolt		NXCPT6148
111	Cutter Block		NXCPT6111	149	Hand Knob		NXCPT6149
111A	Bolt		NXCPT6111A	150	Angle Piece		NXCPT6150
111B	Arbor		NXCPT6111B	151	Stalk,Long		NXCPT6151
112	Bolt		NXCPT6112	152	Guide Fence		NXCPT6152
113	Needle Bearing		NXCPT6113	153	Clamp Plate		NXCPT6153
114	Bearing Cap		NXCPT6114	154	Washer		NXCPT6154
115	Sheet Metal Deflector		NXCPT6115	155	Locking Washer		NXCPT6155
116	Retracting Spring		NXCPT6116	156	Bolt		NXCPT6156
118	Front Table Top		NXCPT6118	157	Dust Collector		NXCPT6157
119	Sliding Block		NXCPT6119	158	Key Assembly		NXCPT6158
120	Bolt		NXCPT6120	159	Cover		NXCPT6159
121	Hand Knob		NXCPT6121	160	Bolt		NXCPT6160
122	Cutter Guard Holder		NXCPT6122	161	Push Stick		NXCPT6161
123	Hand Knob		NXCPT6123	162	Hex Wrench		NXCPT6162
124	Scale		NXCPT6124				

SPARE PARTS DIAGRAM - CPT800



PARTS LIST - CPT800

No.	Description	Qty	Part No.	No.	Description	Qty	Part No.
1	Bolt		NXCPT8001	42	Cable Clamp		NXCPT8042
2	Cord Stowage Bkt		NXCPT8002	43	Rubber Buffer		NXCPT8043
3	Side Plate Top		NXCPT8003	44	Flat Belt		NXCPT8044
4	Bolt		NXCPT8004	45	Washer		NXCPT8045
5	Locking Washer		NXCPT8005	46	Locking Washer		NXCPT8046
6	Rubber Buffer		NXCPT8006	47	Bolt		NXCPT8047
6A	Nut		NXCPT8006A	48	Rod,Long		NXCPT8048
7	Motor Covering		NXCPT8007	49	Washer		NXCPT8049
8	Bolt		NXCPT8008	50	Bolt		NXCPT8050
9	Nut		NXCPT8009	52	Plastic Locknut		NXCPT8052
10	Locking Washer		NXCPT8010	53	Strain Relief		NXCPT8053
11	Washer		NXCPT8011	54	Nut		NXCPT8054
12	Angle		NXCPT8012	54A	Washer		NXCPT8054A
13	Angle		NXCPT8013	54B	Spring		NXCPT8054B
14	Screw		NXCPT8014	54C	Plunger		NXCPT8054C
15	Chain		NXCPT8015	54D	Reset Assy.		NXCPT8054D
16	Crank		NXCPT8016	54E	Label		NXCPT8054E
17	Plug		NXCPT8017	54F	Screw		NXCPT8054F
18	Threaded Spindle,Short		NXCPT8018	55	Locking Line		NXCPT8055
19	Table		NXCPT8019	56	Rubber Set		NXCPT8056
19A	Threaded Spindle Nut		NXCPT8019A	57	Power Cable		NXCPT8057
19B	Sleeve		NXCPT8019B	58	Protecting Hood		NXCPT8058
20	Pointer		NXCPT8020	59	Switch Box		NXCPT8059
21	Locking Washer		NXCPT8021	60	Bolt		NXCPT8060
22	Washer		NXCPT8022	61	Thermo-protector		NXCPT8061
23	Bolt		NXCPT8023	62	Bolt		NXCPT8062
24	Chain Wheel		NXCPT80324	63	Bolt		NXCPT8063
25	Washer		NXCPT8025	64	Bolt		NXCPT8064
26	Locking Washer		NXCPT8026	65	Terminal		NXCPT8065
27	Hexagonal Nut		NXCPT8027	66	Switch		NXCPT8066
28	Bolt		NXCPT8028	67	Nut		NXCPT8067
29	Sleeve		NXCPT8029	68	Locking Ring		NXCPT8068
30	Bolt		NXCPT8030	69	Washer		NXCPT8069
31	Side Plate ,Left		NXCPT8031	70	Chain Wheel		NXCPT8070
32	Cutting Depth Scale		NXCPT8032	71	Square Sleeve		NXCPT8071
33	Bolt		NXCPT8033	72	Gear Wheel		NXCPT8072
34	Locking Washer		NXCPT8034	73	Locking Ring		NXCPT8073
35	Washer		NXCPT8035	74	Belt Wheel		NXCPT8074
36	Washer		NXCPT8036	74B	Bush		NXCPT8074B
37	Locking Washer		NXCPT8037	74C	Needle Bearing		NXCPT8074C
38	Hexagonal Nut		NXCPT8038	75	Pivot Plate		NXCPT8075
39	Bolt		NXCPT8049	76	Retracting Spring		NXCPT8076
40	Rod,Long		NXCPT8040	77	Arbor		NXCPT8077
41	Bolt		NXCPT8041	78	Bolt		NXCPT8078

No.	Description	Qty	Part No.	No.	Description	Qty	Part No.
79	Locking Washer		NXCPT8079	126	Cover		NXCPT8126
80	Washer		NXCPT8080	127	Square Tube		NXCPT8127
81	Chain Wheel		NXCPT8081	127A	Cover		NXCPT8127A
82	Chain		NXCPT8082	128	Washer		NXCPT8128
83	Belt Disk		NXCPT8083	128A	Locking Ring		NXCPT8128A
84	Bolt		NXCPT8084	128B	Locking Ring		NXCPT8128B
85	Bolt		NXCPT8085	129	Hand Knob		NXCPT8129
86	Flat Belt		NXCPT8086	130	Bolt		NXCPT8130
87	Supporting Plate		NXCPT8087	131	Limit Switch		NXCPT8131
88	Post		NXCPT8088	132	Switch Cover		NXCPT8132
91	Motor Belt Wheel		NXCPT8091	132A	Washer		NXCPT8132A
92	Motor		NXCPT8092	132B	Bolt		NXCPT8132B
93	Grooved Ball Bearing		NXCPT8093	133	Stud Bolt		NXCPT8133
94	Bearing Cover		NXCPT8094	134	Stop		NXCPT8134
95	Locking Washer		NXCPT8095	134A	Lock Washer		NXCPT8134A
96	Hexagonal Nut		NXCPT8096	134B	Nut		NXCPT8134B
97	Strut		NXCPT8097	135	Threaded Spindle - Long		NXCPT8135
98	Washer		NXCPT8098	136	Hex. Nut		NXCPT8136
99	Bolt		NXCPT8099	137	Locking washer		NXCPT8137
100	Feed-out Roller		NXCPT8100	138	Washer		NXCPT8138
102	Feed-in Roller		NXCPT8102	139	Rear table top		NXCPT8139
103	Retracting Spring		NXCPT8103	140	Cutter Guard		NXCPT8140
104	Bearing Bush		NXCPT8104	141	Spindle		NXCPT8141
105	Rod		NXCPT8105	142	Rod - Short		NXCPT8142
106	Washer		NXCPT8106	143	Angle instruction 1		NXCPT8143
107	Kick Back Pawl		NXCPT8107	144	Angle instruction 2		NXCPT8144
108	Bolt		NXCPT8108	145	Nut		NXCPT8145
109	Clamping Block		NXCPT8109	146	Bolt		NXCPT8146
110	Cutter Blade		NXCPT8110	147	Pin		NXCPT8147
111	Cutter Block		NXCPT8111	148	Bolt		NXCPT8148
111A	Bolt		NXCPT8111A	149	Hand Knob		NXCPT8149
111B	Arbor		NXCPT8111B	149A	Nut		NXCPT8149A
112	Bolt		NXCPT8112	150	Angle Piece		NXCPT8150
113	Needle Bearing		NXCPT8113	151	Stalk, Long		NXCPT80151
114	Bearing Cap		NXCPT8114	152	Guide Fence		NXCPT8152
115	Sheet Metal Deflector		NXCPT8115	153	Clamp		NXCPT8153
116	Retracting Spring		NXCPT8116	154	Washer		NXCPT8154
117	Pointer		NXCPT8117	155	Locking Washer		NXCPT8155
118	Front Table Top		NXCPT8118	156	Bolt		NXCPT8156
119	Sliding Block		NXCPT8119	157	Dust Collector		NXCPT8157
120	Bolt		NXCPT8120	157A	Label		NXCPT8157A
121	Hand Knob		NXCPT8121	158	Key Assembly		NXCPT8158
122	Blade Cover Holder		NXCPT8122	159	Cover		NXCPT8169
123	Hand Knob		NXCPT8123	160	Bolt		NXCPT8160
124	Scale		NXCPT8124	161	Push Stick		NXCPT81161
125	Stud Bolt		NXCPT8125	162	Hex Wrench		NXCPT8162

IMPORTANT:

The use of parts other than CLARKE replacement parts may result in safety hazards, decreased tool performance and may invalidate your warranty.

PARTS & SERVICE CONTACTS

For Spare Parts and Service, please contact your nearest dealer,
or CLARKE International, on one of the following numbers.

PARTS & SERVICE TEL: 020 8988 7400

PARTS & SERVICE FAX: 020 8558 3622

or e-mail as follows:

PARTS: Parts@clarkeinternational.com

SERVICE: Service@clarkeinternational.com



Clarke

This is an important document, and should be retained.

DECLARATION OF CONFORMITY

We declare that this product complies to the following standards/directives:

- **98/37/EC (ANNEX 4)**
- **EN 61029-2-1:2001**

CERTIFICATE No. BM 60009799 001

REPORT No. 15006194 002

**Issued by TUV Rheinland Product Safety GmbH,
Am Grauen Stein, D-51105, Cologne.**

Product Description: Planer/Thicknesser

Model Number: CPT600 and CPT800

Serial (Batch) No: See Product Data Plate

Signed 
Engineering Manager

Hemnal Street, Epping, Essex CM16 4LG

Clarke International is a trading style of Clarke International Limited