

Charmke TM



Classic Cast Iron Stove

JUNIOR VICTORIA II

PART NO:6910105

USER GUIDE

INTRODUCTION

Thank you for purchasing this CLARKE classic cast iron stove.

Please read this manual thoroughly and follow the instructions carefully. Before attempting to use the stove, thoroughly familiarise yourself with this unit & its operation. In doing so you will ensure the safety of yourself and that of others around you, and you can look forward to the stove giving you long and satisfactory service.

GUARANTEE

This product is guaranteed against faulty manufacture for a period of 12 months from the date of purchase. Please keep your receipt which will be required as proof of purchase.

This guarantee is invalid if the product is found to have been abused or tampered with in any way, or not used for the purpose for which it was intended.

Faulty goods should be returned to their place of purchase, no product can be returned to us without prior permission.

This guarantee does not effect your statutory rights.

SPECIFICATIONS

Model: Junior Victoria II
Part No: 6910105
Weight: 107kg
Dimensions:(w x h x d) 600 x 665 x 465mm
Fuel Multi-fuel
Max log length 260 mm
Flue pipe connection 150 mm
Efficiency 78%@9.8 kw
Nominal heat output 4.9 kw

CONTENTS

IMPORTANT

Before commencing please check contents and advise immediately of any shortages.

- 1 x Multi-Fuel Stove
- 4 x Legs c/w 4 hex headed bolt, 4 x large washers & 4 nuts
- 1 x 150mm round flue exit c/w 3 x countersunk machine screws
- 1 x Grate
- 1 x Baffle Plate
- 1 x Ash Pan
- 1 x Handle for Pan

GENERAL SAFETY RULES



WARNING: Do not use in mobile homes. This stove must be connected to a suitable flue outlet. Due to high temperature this stove should be located well away from furniture and curtains. Children and adults should be alerted to the hazards of high surface temperatures. Young children should be carefully supervised when they are in the same room with the stove. Do not place clothing or other flammable material on or near the stove. Keep the stove area clear of combustable materials, flammable liquids or vapours.

-
1. **ALWAYS** ensure that the stove is correctly installed and positioned as described under PLACEMENT AND INSTALLATION on page 5, and that the immediate area is kept clear.
 2. **ALWAYS** check for damage before using the stove. Check for breakage of parts and any other condition that may affect the stove's performance. Any damage should be properly repaired or the part replaced. If in doubt, **DO NOT** use the stove. Consult your local dealer.
 3. **ALWAYS** keep children away and keep visitors at a safe distance from the stove.
 4. **NEVER** direct water, or any other liquid on to the stove, particularly when it is hot.
 5. **NEVER** use gasolene or other flammable liquids.
 6. **NEVER** use the stove to incinerate materials other than the recommended fuels.
 7. The installation of the stove and chimney **MUST** comply with all national, european and local building regulations. It is the responsibility of the owner and the installer to ensure that the installation complies.
 8. **NEVER** carry out any modifications to this unit. If experiencing difficulty of any kind consult your local dealer.

UNPACKING & ASSEMBLY

TOOLS REQUIRED

Phillips screwdriver
13mm spanner



WARNING: Due to the weight of the stove it is recommended that two people perform the un-packing and assembly.

Unpack the stove and remove packing materials.

Open the doors and remove the 4 legs, grate ashpan, handle & flue outlet. The fixings kit can also be found inside the stove.

1. Place stove on a soft surface such as the polystyrene packing materials from the crate and tilt the stove back.
2. Attach the legs using the bolts and large washers supplied as shown in Fig 1.

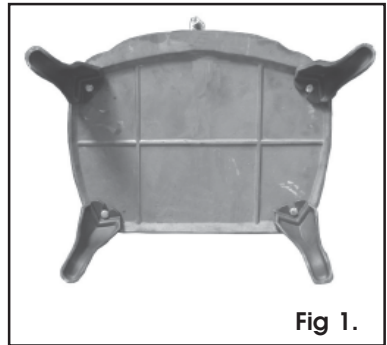


Fig 1.

3. Sit the stove upright and attach the 3 flue adaptor as shown in Fig 2 using the self tapping screws supplied. Ensure the fireproof gasket is correctly seated in the base of the flue adaptor.



Fig 2.

These parts can be used for either top or rear mounting of the flue, according to the chimney position in the building. Refer to PLACEMENT AND INSTALLATION.

4. Set the grate and ashpan in position as in Fig 3.
5. Place stove in desired location.

Note; All stoves should be installed in accordance with the local building regulations.

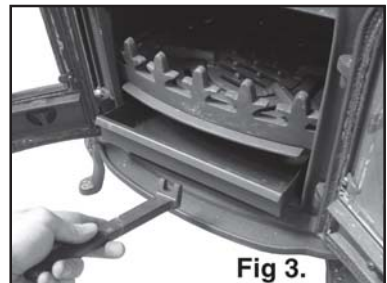


Fig 3.

PLACEMENT & INSTALLATION



WARNING: IF THIS STOVE IS NOT PROPERLY INSTALLED, A HOUSE FIRE MAY RESULT. FOR YOUR SAFETY, CONTACT THE LOCAL BUILDING OR FIRE OFFICIALS ABOUT RESTRICTIONS AND INSTALLATION REQUIREMENTS IN YOUR AREA.

POSITIONING

The stove should only be placed on a wooden floor if it has been covered by a metal plate or other non-inflammable material at least 5mm thick. Combustable materials such as carpet or linolium must be removed from beneath the stove.

When the stove is positioned near a wall constructed of flammable material, the distances shown on Fig 5 (page 6) must be adhered to. Alternatively, a heat shield may be used mounted according to the position of the fireplace. A firewall must be at least 100 mm thick and typically made of brick, concrete/stone or light concrete and is indicated in Fig 5.

The stove must have a minimum clearance of 1200 mm to a combustable ceiling above.

It is recommended that the stove be installed 800 mm from furniture and serious consideration should be given to the positioning of any furniture that could be adversely affected by heat. The clearance to any combustable materials should also be a minimum of 800mm.

Due to the heat of a wood burning stove, a suitable fire guard should be used to provide additional protection.

THE CHIMNEY

The stove is supplied with a 150mm flue pipe which can be used for either top mounting or rear mounted installation and the redundant apperture blanked off with the plate and fixing screws supplied. The stove should never be connected to a shared chimney/flue system.

Ensure the joints are completely sealed as air leakage will lead to poor performance. If the chimney draft is naturally poor it is better to install the flue from the top of the stove. Avoid having more than two bends in the flue system. Any offset between bends should be minimised and the flue should be equipped with suitable access doors for inspection & cleaning.

A range of suitable flue pipes, cowls and fire cement are available from your Clarke dealer.

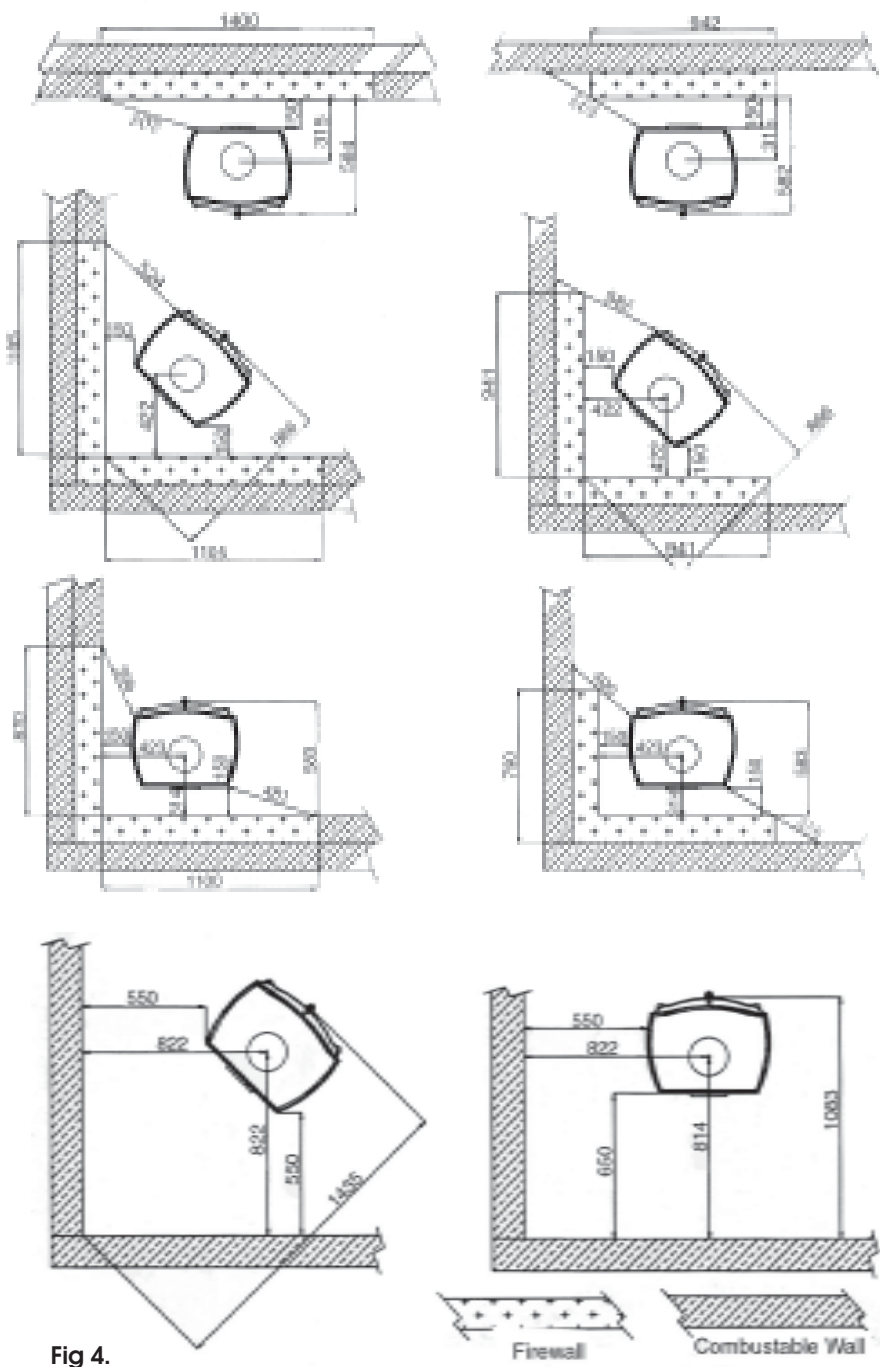


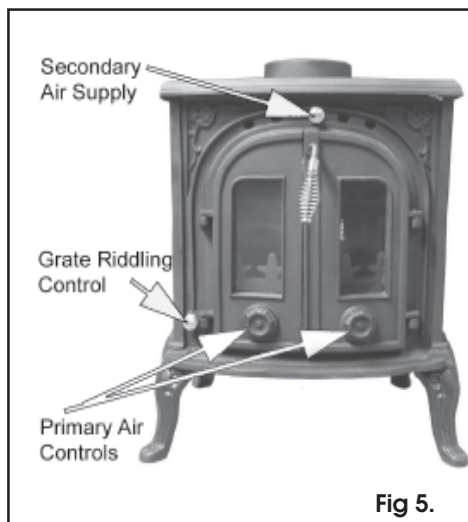
Fig 4.

USING YOUR STOVE

CONTROLS

The amount of heat emitted by the stove is regulated using the two air controls shown in Fig 5.

- A) The primary air supply, where air passes up through the grate, is controlled using the lower air controls in each door.
- B) The secondary air supply (air-wash) which supplies air to the combustion over the door glass is controlled using the upper air control.



FIRST USE

Following installation and before putting the stove to use, please take note of the following:

To prevent the stove from cracking and to ensure a long life, it is essential that it is 'seasoned'. This procedure should also be followed if the stove has not been used for prolonged periods (during the summer months for example), and is carried out as follows:

1. Light a small fire in the middle of the stove, away from the sides.
2. Allow the stove to warm up slowly and evenly with the top lid and bottom cover in place, avoiding intense flames.
3. Keep the fire burning for three hours or so, gradually increasing the intensity during this period.

It should be remembered that this procedure should be carried out at the beginning of each season of use in order to remove the moisture retained by the metal during the period of non-use.

When used for the first time the fireplace may smell a little, due to gas being given off. The gas is not toxic but the room should be thoroughly ventilated. Let the fire burn with a high draught until no smells can be detected.

Take care not to open the stove door too vigorously in case of causing smoke spillage. If smoke spillage occurs when the fire door is opened this could be due to poor chimney draft. SEE TROUBLE SHOOTING.

FIRE-LIGHTING WITH WOOD

1. Open the upper and lower air controls.
2. Lay firelighters or rolled up newspapers on the grate with a reasonable quantity of dry kindling wood. Place 2 or 3 small logs on top.
3. Light the newspaper or firelighters using a long taper and close the door.
4. When the fire is burning strongly, add further logs of a diameter up to 10cm.
5. When the stove is very hot, close the lower control.
6. The burning rate can be reduced by moving the upper air control to a smaller air inlet. Ensure there are lasting flames until the wood becomes charcoal.

FIRE-LIGHTING WITH SOLID FUEL

1. Open the upper and lower air controls.
2. Lay firelighters or rolled up newspapers on the grate with a reasonable quantity of dry kindling wood. Place a small quantity of solid fuel on top.
3. Light the newspaper or firelighters using a long taper and close the door.
4. When the fire is burning strongly, add further fuel.
5. When the stove is very hot, close the top air control.
6. The burning rate can be reduced by partially closing the lower air control.

REFUELLING

1. Open the lower control.
2. Open the door and add fuel. Open the door slowly to avoid a sudden rush of intake air and smoke escaping into the room.
3. Leave the lower control open for a few minutes to allow the gasses in the fuel to burn.
4. Close the lower control.
5. It is not recommended to leave the stove alight at night or to continue using the stove in warm weather which gives poor combustion leading to greater buildup of soot.



WARNING: Over-firing the stove may cause a house fire. If the chimney is seen to be glowing the stove is over-fired.

SUITABLE FUELS

This stove will function with all kinds of either solid fuel or wood but in general all fuel should be dry and timber should be well seasoned. Suitable solid fuels may include smokeless fuels such as Phurnacite, Coalite Nuts or Extracite. Avoid using 'green' unseasoned wood, treated wood such as telegraph poles, or plywood or chipboard containing glues and resins which pollute the environment and cause the fire to burn too quickly. The use of damp wood will result in more soot being left in the chimney, flue and stove.

The maximum length of fuel suitable for this stove is 26cm so as to lay flat over the embers and logs of greater than 10cm diameter should be split.

ASH REMOVAL

Keep the grate free from a heavy buildup of ashes.

The Junior Victoria stove is equipped with a grate riddling device which is used to shake ashes off the grate and into the ashpan. If the stove is burning without life and the lower control is open, use the riddling lever to clear the grate of ash. Empty the pan once a day or whenever full of ashes and take care not to allow ash to come into contact with the underside of the grate.

When disposing of ashes, ensure they have cooled and always place in a metal container.

MAINTENANCE

Should rust become apparent, clean thoroughly with a wire brush and apply a suitable treatment.

If the stove is purely ornamental, painting will provide a durable, attractive finish. If the stove is used for heating and cooking, a high temperature heat resistant paint should be applied.

Periodically inspect the flue and chimney for a buildup of deposits especially following prolonged periods without use. These should be removed as necessary. Consider the need to have the chimney cleaned by a chimney sweep if deposits become significant.



If disposing of this product, do not dispose of with general waste. Metal products should be taken to your local civic amenity site for the re-cycling of metal products.

PARTS AND SERVICE

For spare parts and service, please contact your nearest dealer, or CLARKE International, on one of the following numbers.

PARTS & SERVICE TEL: 020 8988 7400 / FAX: 020 8558 3622

or e-mail as follows:

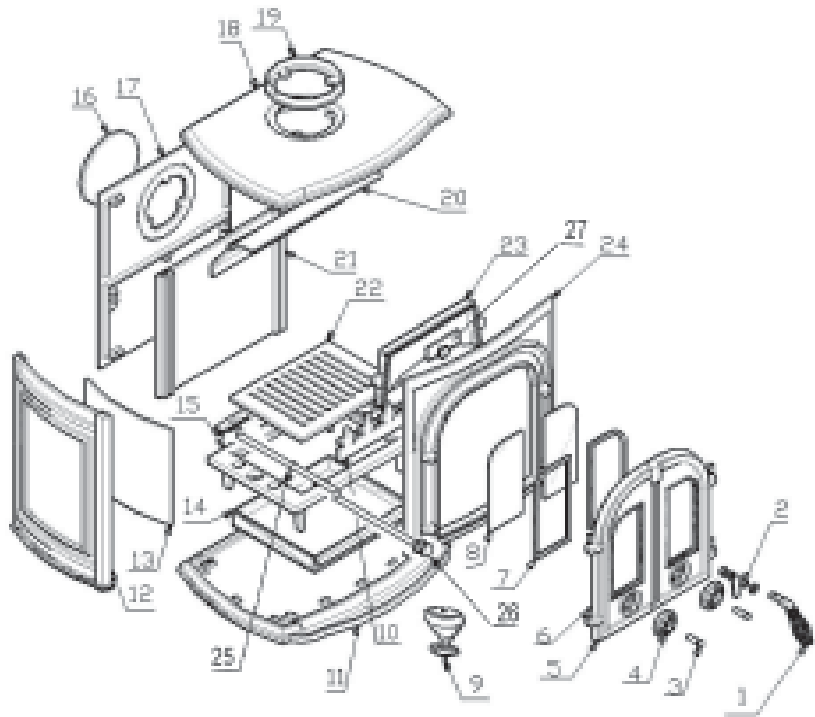
PARTS: Parts@clarkeinternational.com

SERVICE: Service@clarkeinternational.com

TROUBLESHOOTING

PROBLEM	CAUSE	SOLUTION
Fire difficult to start	Wood green, too damp or poor quality.	Use dry, good quality fuel.
Fire goes out	Logs are too big.	When lighting the fire use small, dry twigs. To maintain the fire use split logs.
	Air starvation.	Open lowerl and upper air controls.
	Insufficient draught.	Check that flue is not obstructed, sweep flue if necessary.
Fire burns too quickly	Too much draught.	Ensure that the lower air control is closed. Partially close the upper air control lever.
	Excessive draw.	Install a draught stabiliser. Consult your dealer.
	Poor quality wood.	Do not continuously burn small wood, sticks, carpentry offcuts, plywood etc.
Stove smokes when lighting up	Flue duct is cold.	Burn paper & kindling wood to increase heat.
	Room is at negative pressure.	In houses equipped with mechanical ventilation, open a window untill the fire is well established.
Smokes while burning	Draught is insufficient.	Consult a chimney specialist. Check that flue is not obstructed, sweep if necessary.
	Downdraught.	Install an anti-downdraught cowl. Consult your dealer.
	Room is at negative pressure.	In houses equipped with mechanical ventilation, an outside air intake must be installed for the chimney.
Low heat output	Incorrect fuels being used.	Use the recommended fuel.
Smoke spillage when opening door	Chimney not tall enough or not clear of roofline.	Increase height of chimney.
	Poor sealing of fluepipe joints.	Re-connect flue or replace jointing material.
	Flue is partially blocked with soot.	Arrange to have chimney swept.
	House too tightly sealed.	Ensure a fresh air supply is reaching the stove.

PARTS DIAGRAM



COMPONENT PARTS LIST

Item	Description	Item	Description
1.	Door Handle Assy	14.	Ashpan
2.	Door Catch Assembly	15.	Grate Baseplate
3.	Nut	16.	Blanking Plate
4.	Draught Adjuster	17.	Rear Plate
5.	Door Frame	18.	Top Plate
6.	Door Pin	19.	Flue Adaptor
7.	Rope Seal for Glass	20.	Baffle Plate
8.	Glass	21.	Back Firebrick
9.	Leg	22.	Riddling Grate
10.	Log Retainer	23.	Air Plate
11.	Base Plate	24.	Front Plate
12.	Side Plate	25.	Bar for Riddling
13.	Side Firebrick	26.	Knob
		27.	Secondary Air Control

IMPORTANT:

The use of parts other than CLARKE replacement parts may result in safety hazards, decreased appliance performance and may invalidate your warranty.

A SELECTION FROM THE VAST RANGE OF

Clarke®

QUALITY PRODUCTS

AIR COMPRESSORS

From DIY to industrial, Plus air tools, spray guns and accessories.

GENERATORS

Prime duty or emergency standby for business, home and leisure.

POWER WASHERS

Hot and cold, electric and engine driven - we have what you need

WELDERS

Mig, Arc, Tig and Spot. From DIY to auto/industrial.

METALWORKING

Drills, grinders and saws for DIY and professional use.

WOODWORKING

Saws, sanders, lathes, mortisers and dust extraction.

HYDRAULICS

Cranes, body repair kits, transmission jacks for all types of workshop use.

WATER PUMPS

Submersible, electric and engine driven for DIY, agriculture and industry.

POWER TOOLS

Angle grinders, cordless drill sets, saws and sanders..

STARTERS/CHARGERS

All sizes for car and commercial use.



For spare parts and servicing, please contact your nearest dealer, or Clarke International on

020 8988 7400

e-mail: Parts@clarkeinternational.com e-mail: Service@clarkeinternational.com

Clarke INTERNATIONAL

Hemnal Street, Epping, Essex CM16 4LG