

ClarkeTM

Barrel Stove

Thank you for purchasing this CLARKE Barrel Stove

Please read this leaflet thoroughly and follow the instructions given, thereby ensuring the stove will provide you with long and satisfactory service.

GUARANTEE

This CLARKE product is guaranteed against faulty manufacture for a period of 12 months from the date of purchase. Please keep your receipt as proof of purchase.

This guarantee is invalid if the product is found to have been abused or tampered with in any way, or not used for the purpose for which it was intended.

Faulty goods should be returned to their place of purchase, no product can be returned to us without prior permission.

This guarantee does not effect your statutory rights.

IMPORTANT NOTICE

To prevent the stove from cracking, and to ensure a long life for your stove, it is essential that it is 'seasoned' before putting to full use.

CRACKING OF THE STOVE DUE TO THE FAILURE OF CARRYING OUT THIS PROCEDURE WILL INVALIDATE THE WARRANTY

The seasoning procedure is carried out as follows:

1. Light a small fire, no bigger than 6"x6"x6" in the middle of the stove, well away from the sides. Allow the stove to warm up slowly and evenly with the top lid and bottom cover in place. Avoid intense flames caused by thin dry kindling etc.
2. After 2-3 hours gradually increase the size of the fire using large logs which will burn naturally slowly, whilst keeping the flames well away from the sides and with the covers still in place.
3. After at least 48 hours use at this level, increase the size and brightness of the fire for at least a further 10 days. Full fires must not be used until completion of at least 20 days of this continued mild use.

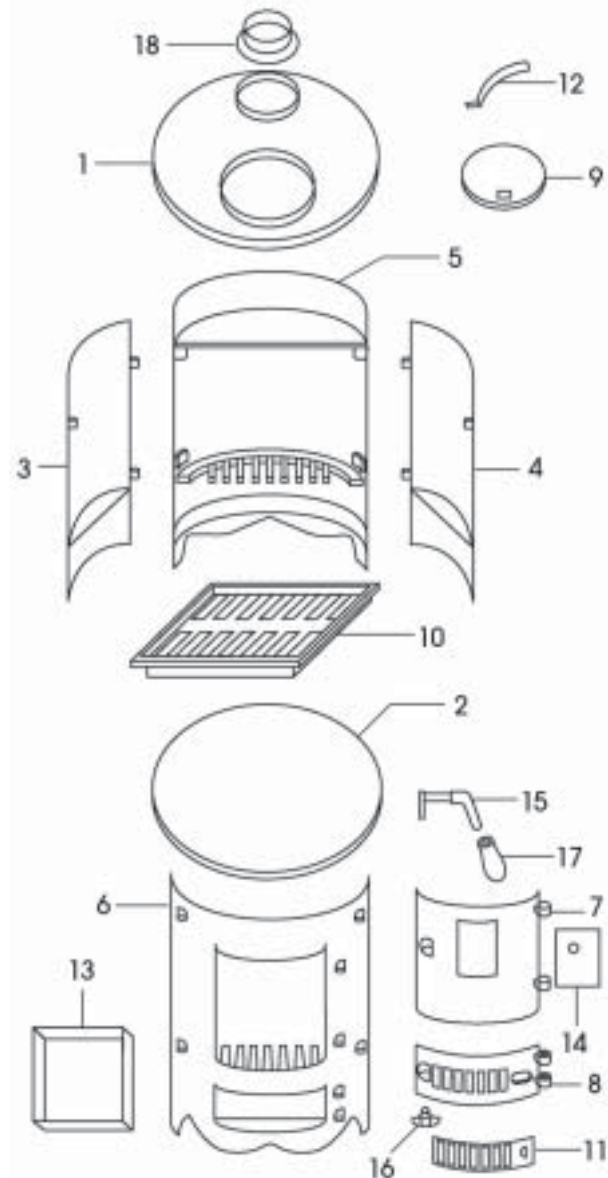
It should be remembered that this procedure should be carried out at the beginning of each season of use, in order to remove the moisture retained by the metal during the period of none use.

ONLY by following this procedure will your stove be properly seasoned.

BARREL STOVE

Part No. 691 0100

Description	Part No.
1 Top Lid	ELDW28T01
2 Bottom Plate	ELDW28T02
3 Left Plate	ELDW28T03
4 Right Plate	ELDW28T04
5 Back Plate	ELDW28T05
6 Door Frame	ELDW28T06
7 Door	ELDW28T07
8 Ash Door	ELDW28T08
9 Cooking Lid	ELDW28T09
10 Grate	ELDW28T10
11 Air Control	ELDW28T11
12 Lever	ELDW28T12
13 Ash Box	ELDW28T13
14 Glass	ELDW28T14
15 Door handle	ELDW28T15
16 Door Handle	ELDW28T16
17 Wooden Handle	ELDW28T17
18 Flue	ELDW28T18



Note:

Slide the wooden handle over the door handle temporarily and use it to open the door. This offers protection for the hand when the door handle becomes hot. Remember to remove the handle when finished with.



PARTS AND SERVICE

For Spare Parts and Service, please contact your nearest dealer, or CLARKE International, on one of the following numbers.

PARTS & SERVICE TEL: 020 8988 7400

PARTS & SERVICE FAX: 020 8558 3622

or e-mail as follows:

PARTS:

Parts@clarkeinternational.com

SERVICE: Service@clarkeinternational.com