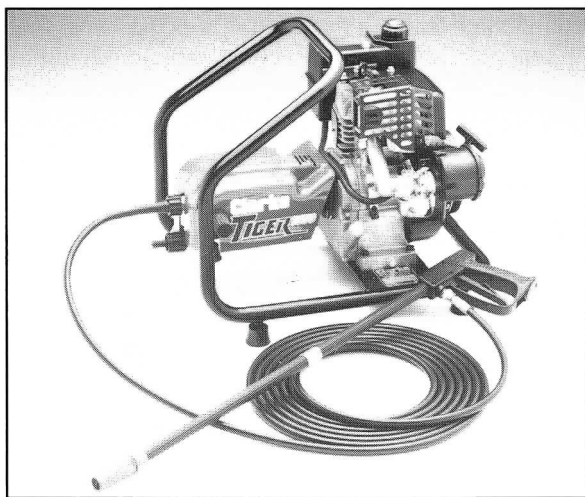


# Clarke<sup>TM</sup> POWER WASHER

## OPERATING & MAINTENANCE INSTRUCTIONS



## POWER WASHERS

Models.

Tiger1550-Tiger1600-Tiger1800

Thank you for purchasing this CLARKE Engine Driven Power Washer. Please read this booklet thoroughly, together with the engine manual provided, and follow all instructions carefully. In doing so you will ensure the safety of yourself and that of others around you, and you can look forward to the Power Washer giving you long and satisfactory service.

## GUARANTEE

This CLARKE product is guaranteed against faulty manufacture for a period of 12 months from the date of purchase. Please keep your receipt as proof of purchase. This guarantee is invalid if the product is found to have been abused or tampered with in any way, or not used for the purpose for which it was intended.

Faulty goods should be returned to their place of purchase, no product can be returned to us without prior permission. This guarantee does not effect your statutory rights.

## SAFETY PRECAUTIONS

**WARNING:** Water at high pressure can be dangerous if subject to misuse. Never allow anyone to operate this equipment unless they are thoroughly reliable, and familiar with the safety precautions.

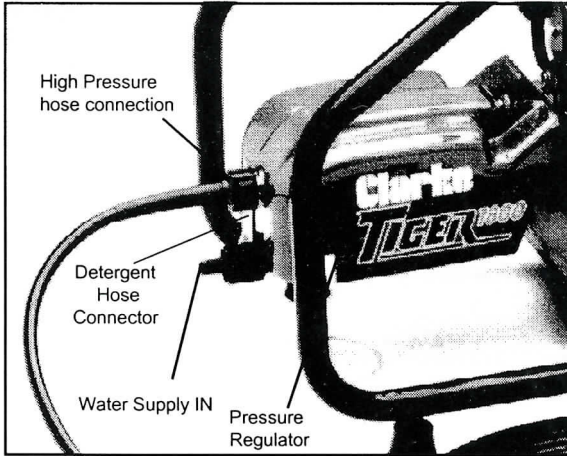
1. Never spray any person or animal, and DO NOT allow children to use the machine.
2. Never hold your finger over the high pressure nozzle.
3. Never spray the machine itself, or any electrical equipment, unless it is adequately protected.
4. Do not train the jet at windows, particularly greenhouses etc., and be aware that the high pressure jet can damage painted surfaces.
5. After use, release the pressure in the high pressure hose, by operating the trigger.
6. Be aware that during use, certain components become very hot.
7. Do not attempt to disconnect any hose or coupling with the pressure still in the hose.
8. Do not operate the machine whilst standing on ladders. Use a platform tower or scaffolding.
9. We strongly recommend the use of goggles when using the machine, particularly where loose particles, stones or grit may be blown around by the high pressure spray.
10. Do not attempt any mechanical repairs yourself. If you should experience problems with your machine, contact your CLARKE dealer, or CLARKE International Service Dept., on 020 8988 7400.
11. When not in use, disconnect from the water supply, and ensure the system is completely drained. Store in a cool dry location.
12. Never supply any liquid other than water to the water inlet.
13. When using the detergent injection facility, use only the chemical cleaning agents (detergents), that are approved for power washers. CLARKE Traffic Film Remover is recommended.
14. NEVER use the chemical injection facility to introduce solvents, e.g. paint thinners, petrol, oil etc.

## FEATURES

These fully portable machines incorporate a variable pressure control, together with a fan or jet spray, and may be used with or without a detergent. Although these machines were designed to operate using a mains water supply, they will also work satisfactorily with a supply which is under positive pressure, i.e. from an elevated water tank etc.

Please note, that when using water from a mains supply, you should always comply with your local bye-laws.

Fig. 1



## ASSEMBLY and PREPARATION FOR USE.

1. Assemble the lance by screwing section 'B' into section 'A' (Fig 2),
2. Remove all travel plugs, and connect the high pressure hose (to the lance), to the upper connection, and the water supply to the lower connection (see Fig. 1), ensuring the sealing ring is in place.

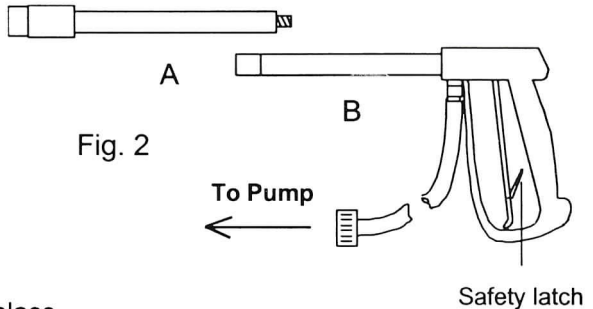


Fig. 2

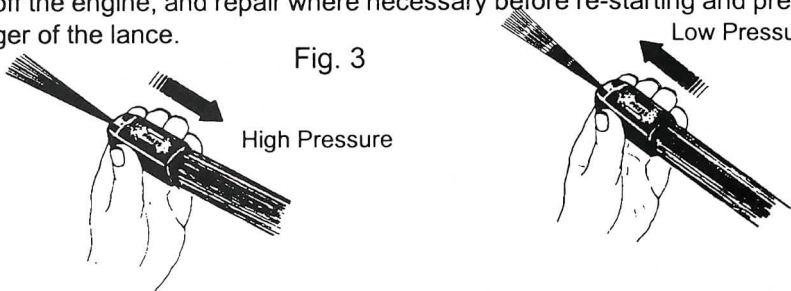
Ideally, you should use a 'snap on' type connector at the water inlet, which is available from any hardware store. A good quality hose of at least 1/2" dia. should be used, also available from DIY, Hardware and Gardening Supply stores.

ALL connections must be tight to avoid leaks.

3. When required, the detergent pick-up hose should be connected to the spigot adjacent to the the high pressure hose connector.
4. Refer to the engine handbook supplied, and check the engine oil and fuel levels.

## OPERATION

1. Turn the water supply fully ON at the mains.
2. Release the safety catch on the lance trigger, and pull the trigger to expell any air in the system. Water will trickle from the end of the lance when air is expelled.
3. Refer to the engine handbook, and start the engine. Move the speed lever to MAX.  
NOTE: If you experience difficulty in starting, press the lance trigger, and keep it pressed, whilst attempting to start. This will relieve pressure in the system, and provide for easier starting.
4. Pull the nozzle towards you to set the lance at high pressure, and away from you to set it at low pressure (see fig. 3).  
NOTE: Low pressure setting is used for detergent spraying.
5. Check that there are no leaks in the line connections. Should leaks be apparent, switch off the engine, and repair where necessary before re-starting and pressing the trigger of the lance.



## CHEMICAL CLEANING AGENTS

To improve cleaning qualities, it is possible to inject chemical cleaning agents (detergents) into the low pressure spray, particularly useful for washing cars, greasy engine parts, oil spots on concrete etc.

To inject a detergent, insert the clear plastic hose with filter attachment into the detergent container, ensuring it is completely submerged.

NOTE: Use ONLY detergents designed for use with power washers. We recommend the use of CLARKE Traffic Film Remover, which is a powerful low foaming agent, for car cleaning, patio cleaning etc., or CLARKE Wash and WAX, available from your CLARKE dealer.

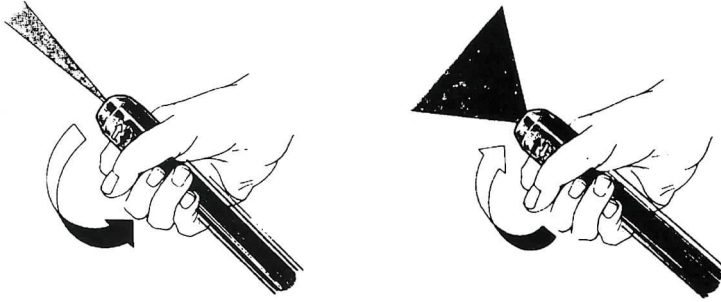
When detergent injection is required, slide the lance nozzle away from you to the low pressure setting, and the detergent will automatically be drawn into the water supply. Spray the detergent on to the vehicle, patio etc., and allow it to work itself into the grime.

NOTE: By twisting the nozzle as shown in fig. 4, you can select either a fan spray or a narrow jet

To rinse and clean, set the lance to its' high pressure setting by pulling the nozzle towards you, and blast off the off the dirt.

After cleaning, suspend the detergent hose in a container of clean water, set the lance to low pressure, and thoroughly flush out the machine.

Fig. 4



## MAINTENANCE

If detergents have been used, it is important to flush the system with clean water for a few minutes after use.

If there is a danger of freezing, anti freeze should be mixed with the flush water, and after flushing, the system must be drained as far as possible.

After the final flush - stop the engine. Do not allow it to idle for longer than 15 seconds.

NOTE: The pump is a sealed unit. If an oil leak should develop, you should consult your CLARKE dealer.

### Storage

Store in an upright position, completely drained of water, in a dry location.

### Engine

Refer to the engine handbook, and service accordingly.

NOTE: Engine oil should be checked regularly.

## SPECIFICATIONS

	<b>Tiger1550</b>	<b>Tiger1600</b>	<b>Tiger1800</b>
Engine Type	Tecumseh	Honda	Tecumseh
Engine Rating	3.5HP	4HP	4.5HP
Engine Speed	3400RPM	3400RPM	3400RPM
Max. Pressure	100Bar	110Bar	120Bar
Max. Water flow	8 litres/min	8 litres/min	8 litres/min
Part No.	1499150	1499160	1499180

## PARTS LIST

No.	Description	Qty	Part No.
1	Engine Tiger 1550, 3.5HP (Tec)	1	8000142
	“ Tiger 1600, 4 HP (Honda)	1	8000047
	“ Tiger 1800, 4.5 HP (Tec)	1	8000144
2	Pump Tiger 1550	1	AR15501
	“ Tiger 1600	1	AR15511
	“ Tiger 1800	1	AR15512
3	Frame	1	AR15509
4	Cover	1	AR15505
5	Washer	2	1301402
6	Nut	2	3040600
7	Bolt	4	3040490
8	Washer	4	3044582
9	Key	1	3040483
10	Screw	4	3044504
11	Washer	8	3044576
12	Nut	4	3040611
13	Foot	4	AR15510
14	Hose Connection	1	AR15504
15	Detergent Hose	1	AR15502
16	Detergent Filter	1	AR15503
17	Data Plate	1	8950880
18	Hose	1	AR15506
19	Gun	1	AR15507
20	Nozzle Tiger 1550	1	AR15508
	“ Tiger 1600	1	AR16008
	“ Tiger 1800	1	AR18008
21	Label Tiger 1550	2	8950910
	“ Tiger 1600	2	8950920
	“ Tiger 1800	2	8950930

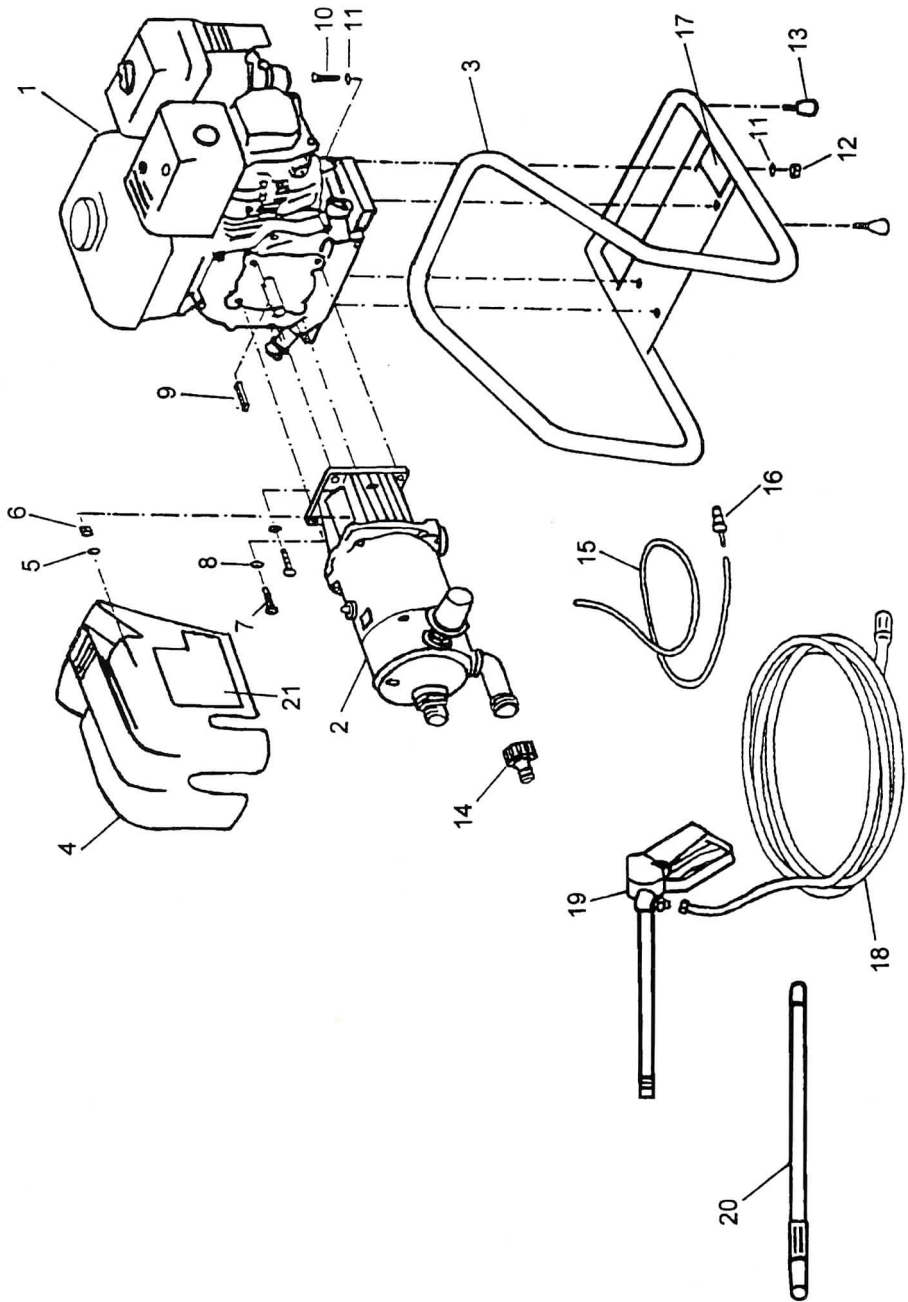
**Clarke**™ INTERNATIONAL

For spare parts and servicing, please contact your nearest dealer, or Clarke International on

**020 - 8988 - 7400**

e-mail: [Parts@clarkeinternational.com](mailto:Parts@clarkeinternational.com) e-mail: [Service@clarkeinternational.com](mailto:Service@clarkeinternational.com)

# PARTS DIAGRAM



A SELECTION FROM THE VAST RANGE OF

# Clarke<sup>TM</sup>

## QUALITY PRODUCTS

### **AIR COMPRESSORS**

*From DIY to industrial. Plus air tools, spray guns and accessories.*

### **GENERATORS**

*Prime duty or emergency standby for business, home and leisure.*

### **POWER WASHERS**

*Hot and cold, electric and engine driven - we have what you need.*

### **WELDERS**

*Mig, Arc, Tig and Spot. From DIY to auto/industrial.*

### **METALWORKING**

*Drills, grinders and saws for DIY and professional use.*

### **WOODWORKING**

*Saws, sanders, lathes, mortisers and dust extraction.*

### **HYDRAULICS**

*Cranes, body repair kits, transmission jacks for all types of workshop use.*

### **WATER PUMPS**

*Submersible, electric and engine driven for DIY, agriculture and industry.*

### **POWER TOOLS**

*Angle grinders, cordless drill sets, saws and sanders.*

### **STARTER/CHARGERS**

*All sizes for car & commercial use.*



## **Clarke** INTERNATIONAL

For spare parts and servicing, please contact your nearest dealer, or Clarke International on

**020 - 8988 - 7400**

e-mail: [Parts@clarkeinternational.com](mailto:Parts@clarkeinternational.com) e-mail: [Service@clarkeinternational.com](mailto:Service@clarkeinternational.com)